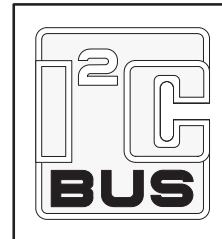


# DATA SHEET



## **P87LPC761**

Low power, low price, low pin count  
(16 pin) microcontroller with 2 kbyte OTP

Preliminary specification

2002 Mar 07

# Low power, low price, low pin count (16 pin) microcontroller with 2 kbyte OTP

## P87LPC761

<b>GENERAL DESCRIPTION</b> .....	<b>1</b>
<b>FEATURES</b> .....	<b>1</b>
<b>ORDERING INFORMATION</b> .....	<b>1</b>
<b>PIN CONFIGURATION, 16-PIN DIP AND TSSOP PACKAGES</b> .....	<b>2</b>
<b>LOGIC SYMBOL</b> .....	<b>2</b>
<b>BLOCK DIAGRAM</b> .....	<b>3</b>
<b>PIN DESCRIPTIONS</b> .....	<b>5</b>
<b>SPECIAL FUNCTION REGISTERS</b> .....	<b>6</b>
<b>FUNCTIONAL DESCRIPTION</b> .....	<b>9</b>
Enhanced CPU .....	9
Analog Functions .....	9
Analog Comparators .....	9
Comparator Configuration .....	9
Internal Reference Voltage .....	11
Comparator Interrupt .....	11
Comparators and Power Reduction Modes .....	11
Comparator Configuration Example .....	11
I <sup>2</sup> C Serial Interface .....	12
I <sup>2</sup> C Interrupts .....	12
Reading I2CON .....	12
Checking ATN and DRDY .....	14
Writing I2CON .....	14
Regarding Transmit Active .....	14
Regarding Software Response Time .....	15
Interrupts .....	16
External Interrupt Inputs .....	17
I/O Ports .....	18
Quasi-Bidirectional Output Configuration .....	18
Open Drain Output Configuration .....	19
Push-Pull Output Configuration .....	19
Keyboard Interrupt (KBI) .....	20
Oscillator .....	22
Low Frequency Oscillator Option .....	22
Medium Frequency Oscillator Option .....	22
High Frequency Oscillator Option .....	22
On-Chip RC Oscillator Option .....	22
External Clock Input Option .....	22
Clock Output .....	22
CPU Clock Modification: CLKR and DIVM .....	24
Power Monitoring Functions .....	24
Brownout Detection .....	24
Power On Detection .....	25
Power Reduction Modes .....	25
Idle Mode .....	25
Power Down Mode .....	25
Low Voltage EPROM Operation .....	27
Reset .....	27
Timer/Counters .....	28
Mode 0 .....	29
Mode 1 .....	30
Mode 2 .....	30
Mode 3 .....	30
Timer Overflow Toggle Output .....	32
UART .....	32

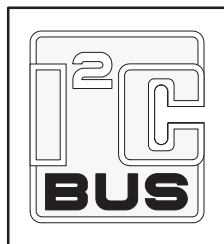
Low power, low price, low pin count (16 pin)  
microcontroller with 2 kbyte OTP

P87LPC761

Mode 0 .....	32
Mode 1 .....	32
Mode 2 .....	32
Mode 3 .....	32
Serial Port Control Register (SCON) .....	33
Baud Rates .....	34
Using Timer 1 to Generate Baud Rates .....	34
More About UART Mode 0 .....	36
More About UART Mode 1 .....	36
More About UART Modes 2 and 3 .....	39
Multiprocessor Communications .....	39
Automatic Address Recognition .....	42
Watchdog Timer .....	42
Watchdog Feed Sequence .....	42
Watchdog Reset .....	42
Additional Features .....	44
Software Reset .....	44
Dual Data Pointers .....	44
EPROM Characteristics .....	45
32-Byte Customer Code Space .....	45
System Configuration Bytes .....	45
Security Bits .....	46
<b>ABSOLUTE MAXIMUM RATINGS .....</b>	<b>47</b>
<b>DC ELECTRICAL CHARACTERISTICS .....</b>	<b>48</b>
<b>COMPARATOR ELECTRICAL CHARACTERISTICS .....</b>	<b>49</b>
<b>AC ELECTRICAL CHARACTERISTICS .....</b>	<b>49</b>
<b>REVISION HISTORY .....</b>	<b>54</b>

# Low power, low price, low pin count (16 pin) microcontroller with 2 kbyte OTP

## P87LPC761



### GENERAL DESCRIPTION

The P87LPC761 is a 16-pin single-chip microcontroller designed for low pin count applications demanding high-integration, low cost solutions over a wide range of performance requirements. A member of the Philips low pin count family, the P87LPC761 offers programmable oscillator configurations for high and low speed crystals or RC operation, wide operating voltage range, programmable port output configurations, selectable Schmitt trigger inputs, LED drive outputs, and a built-in watchdog timer. The P87LPC761 is based on an accelerated 80C51 processor architecture that executes instructions at twice the rate of standard 80C51 devices.

### FEATURES

- An accelerated 80C51 CPU provides instruction cycle times of 300–600ns for all instructions except multiply and divide when executing at 20 MHz. Execution at up to 20 MHz when  $V_{DD} = 4.5\text{ V to }6.0\text{ V}$ , 10 MHz when  $V_{DD} = 2.7\text{ V to }6.0\text{ V}$
- 2.7 V to 6.0 V operating range for digital functions
- 2 kbytes EPROM code memory
- 128 byte RAM data memory
- 32-byte customer code EPROM allows serialization of devices, storage of setup parameters, etc
- Two 16-bit counter/timers. One timer may be configured to toggle a port output upon timer overflow
- Two analog comparators
- Full duplex UART
- I<sup>2</sup>C communication port

- Six keypad interrupt inputs, plus two additional external interrupt inputs
- Four interrupt priority levels
- Watchdog timer with separate on-chip oscillator, requiring no external components. The watchdog timeout time is selectable from 8 values
- Active low reset. On-chip power-on reset allows operation with no external reset components
- Low voltage reset. One of two preset low voltage levels may be selected to allow a graceful system shutdown when power fails. May optionally be configured as an interrupt
- Oscillator Fail Detect. The watchdog timer has a separate fully on-chip oscillator, allowing it to perform an oscillator fail detect function
- Configurable on-chip oscillator with frequency range and RC oscillator options (selected by user programmed EPROM bits). The RC oscillator option allows operation with no external oscillator components
- Programmable port output configuration options: quasi-bidirectional, open drain, push-pull, input-only
- Selectable Schmitt trigger port inputs
- LED drive capability (20 mA) on all port pins
- Controlled slew rate port outputs to reduce EMI. Outputs have approximately 10 ns minimum ramp times
- 11 I/O pins minimum. Up to 14 I/O pins using on-chip oscillator and reset options
- Only power and ground connections are required to operate the P87LPC761 when fully on-chip oscillator and reset options are selected
- Serial EPROM programming allows simple in-circuit production coding. Two EPROM security bits prevent reading of sensitive application programs
- Idle and Power Down reduced power modes. Improved wakeup from Power Down mode (a low interrupt input starts execution). Typical Power Down current is 1  $\mu\text{A}$
- 16-pin DIP and TSSOP packages

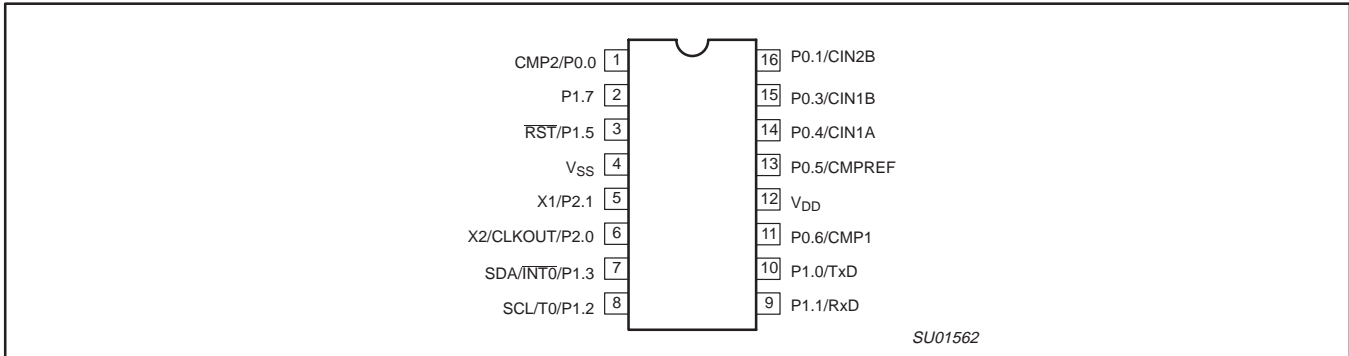
### ORDERING INFORMATION

Type number	Package		Frequency	Temperature Range (°C)	Version
	Name	Description			
P87LPC761BDH	TSSOP16	Plastic thin shrink small outline package; 16 leads; body width 4.4 mm	20 MHz (5 V), 10 MHz (3 V)	0 to +70	SOT403-1
P87LPC761BN	DIP16	Plastic dual in-line package; 16 leads (300 mil); long body	20 MHz (5 V), 10 MHz (3 V)	0 to +70	SOT38-1

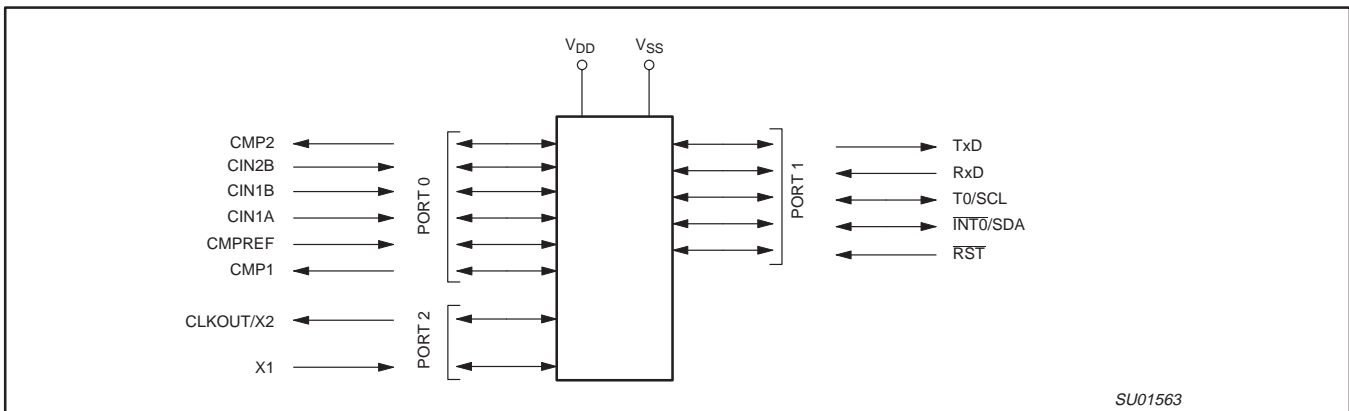
Low power, low price, low pin count (16 pin)  
microcontroller with 2 kbyte OTP

P87LPC761

**PIN CONFIGURATION, 16-PIN DIP AND TSSOP PACKAGES**



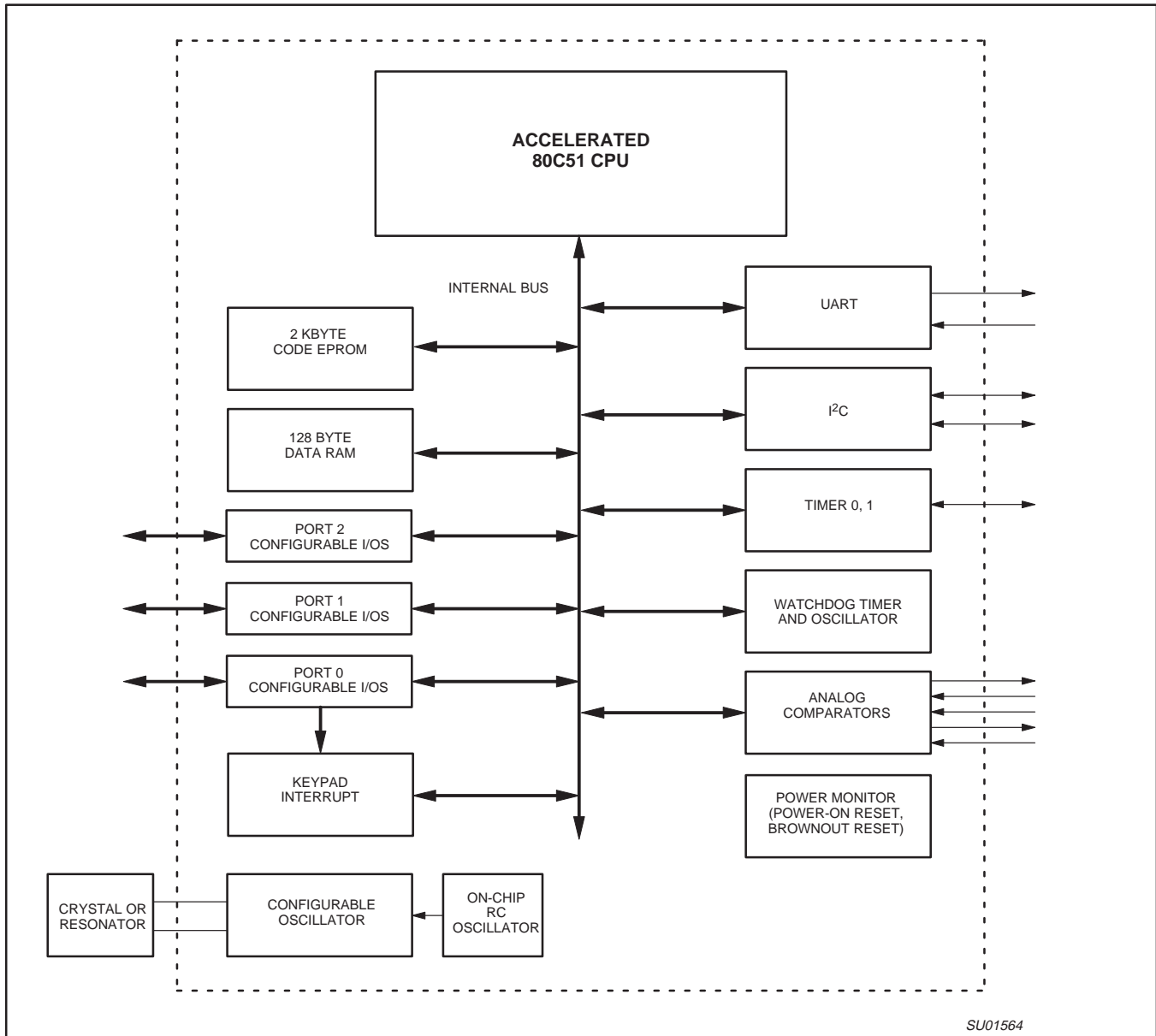
**LOGIC SYMBOL**



# Low power, low price, low pin count (16 pin) microcontroller with 2 kbyte OTP

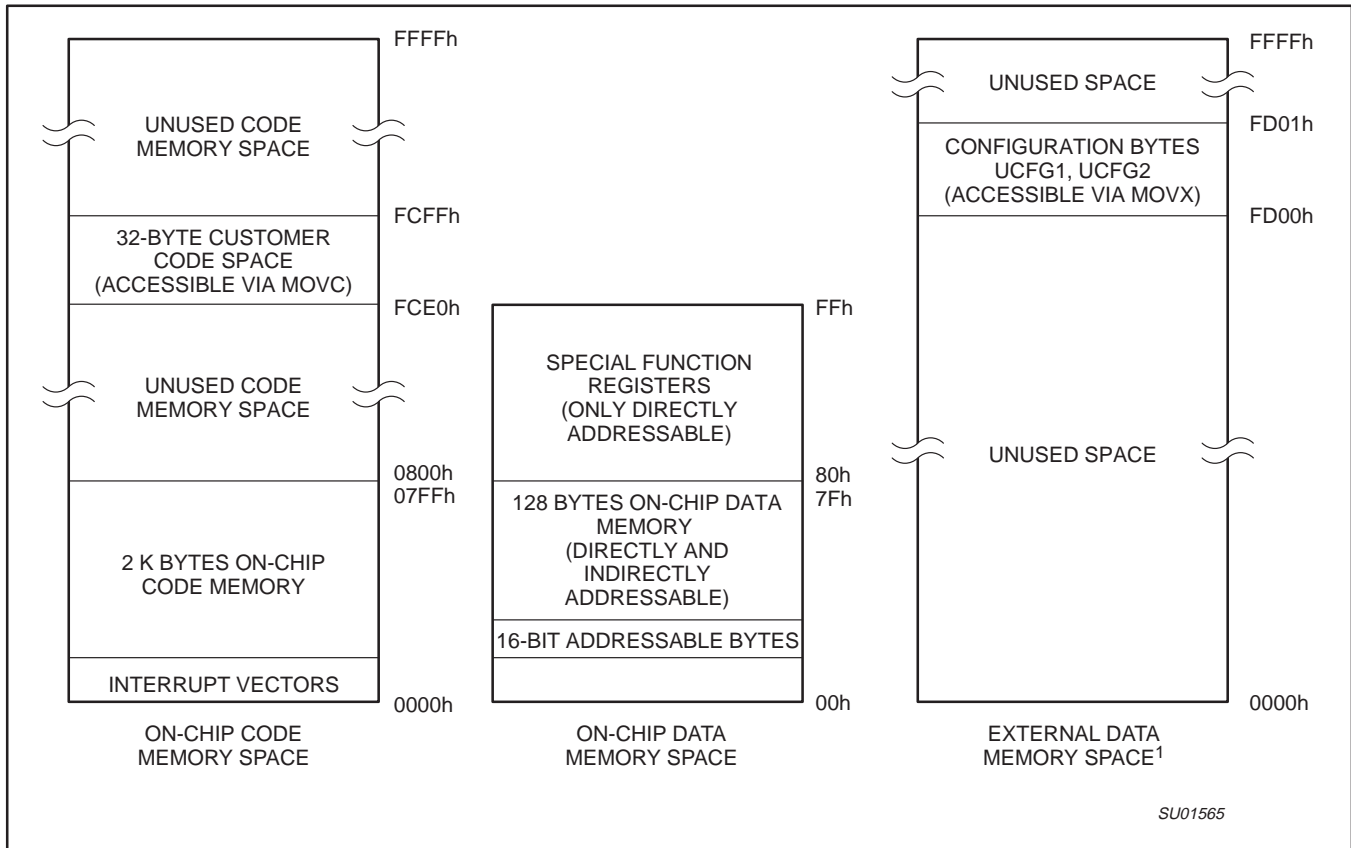
## P87LPC761

### BLOCK DIAGRAM



Low power, low price, low pin count (16 pin)  
microcontroller with 2 kbyte OTP

P87LPC761



1. The P87LPC761 does not support access to external data memory. However, the User Configuration Bytes are accessed via the MOVX instruction as if they were in external data memory.

Figure 1. P87LPC761 Program and Data Memory Map

# Low power, low price, low pin count (16 pin) microcontroller with 2 kbyte OTP

P87LPC761

## PIN DESCRIPTIONS

MNEMONIC	PIN NO.	TYPE	NAME AND FUNCTION
P0.0–P0.1 P0.3–P0.6	1, 11, 13–16	I/O	<p><b>Port 0:</b> Port 0 is an 6-bit I/O port with a user-configurable output type. Port 0 latches are configured in the quasi-bidirectional mode and have either ones or zeros written to them during reset, as determined by the PRHI bit in the UCFG1 configuration byte. The operation of port 0 pins as inputs and outputs depends upon the port configuration selected. Each port pin is configured independently. Refer to the section on I/O port configuration and the DC Electrical Characteristics for details.</p> <p>The Keyboard Interrupt feature operates with port 0 pins.</p> <p>Port 0 also provides various special functions as described below.</p>
	1	O	<b>P0.0</b> <b>CMP2</b> Comparator 2 output.
	16	I	<b>P0.1</b> <b>CIN2B</b> Comparator 2 positive input B.
	15	I	<b>P0.3</b> <b>CIN1B</b> Comparator 1 positive input B.
	14	I	<b>P0.4</b> <b>CIN1A</b> Comparator 1 positive input A.
	13	I	<b>P0.5</b> <b>CMPREF</b> Comparator reference (negative) input.
	11	O	<b>P0.6</b> <b>CMP1</b> Comparator 1 output.
P1.0–P1.3 P1.5–P1.7	2–3, 7–10	I/O	<p><b>Port 1:</b> Port 1 is an 8-bit I/O port with a user-configurable output type, except for three pins as noted below. Port 1 latches are configured in the quasi-bidirectional mode and have either ones or zeros written to them during reset, as determined by the PRHI bit in the UCFG1 configuration byte. The operation of the configurable port 1 pins as inputs and outputs depends upon the port configuration selected. Each of the configurable port pins are programmed independently. Refer to the section on I/O port configuration and the DC Electrical Characteristics for details.</p> <p>Port 1 also provides various special functions as described below.</p>
	10	O	<b>P1.0</b> <b>TxD</b> Transmitter output for the serial port.
	9	I	<b>P1.1</b> <b>RxD</b> Receiver input for the serial port.
	8	I/O	<b>P1.2</b> <b>T0</b> Timer/counter 0 external count input or overflow output.
		I/O	<b>SCL</b> I <sup>2</sup> C serial clock input/output. When configured as an output, P1.2 is open drain, in order to conform to I <sup>2</sup> C specifications.
	7	I	<b>P1.3</b> <b>INT0</b> External interrupt 0 input.
		I/O	<b>SDA</b> I <sup>2</sup> C serial data input/output. When configured as an output, P1.3 is open drain, in order to conform to I <sup>2</sup> C specifications.
	3	I	<b>P1.5</b> <b>RST</b> External Reset input (if selected via EPROM configuration). A low on this pin resets the microcontroller, causing I/O ports and peripherals to take on their default states, and the processor begins execution at address 0. When used as a port pin, P1.5 is a Schmitt trigger input only.
P2.0–P2.1	5, 6	I/O	<p><b>Port 2:</b> Port 2 is a 2-bit I/O port with a user-configurable output type. Port 2 latches are configured in the quasi-bidirectional mode and have either ones or zeros written to them during reset, as determined by the PRHI bit in the UCFG1 configuration byte. The operation of port 2 pins as inputs and outputs depends upon the port configuration selected. Each port pin is configured independently. Refer to the section on I/O port configuration and the DC Electrical Characteristics for details.</p> <p>Port 2 also provides various special functions as described below.</p>
	6	O	<b>P2.0</b> <b>X2</b> Output from the oscillator amplifier (when a crystal oscillator option is selected via the EPROM configuration).
			<b>CLKOUT</b> CPU clock divided by 6 clock output when enabled via SFR bit and in conjunction with internal RC oscillator or external clock input.
	5	I	<b>P2.1</b> <b>X1</b> Input to the oscillator circuit and internal clock generator circuits (when selected via the EPROM configuration).
V <sub>SS</sub>	4	I	<b>Ground:</b> 0V reference.
V <sub>DD</sub>	12	I	<b>Power Supply:</b> This is the power supply voltage for normal operation as well as Idle and Power Down modes.



Low power, low price, low pin count (16 pin)  
microcontroller with 2 kbyte OTP

P87LPC761

**SPECIAL FUNCTION REGISTERS**

Name	Description	SFR Address	Bit Functions and Addresses								Reset Value
			MSB				LSB				
ACC*	Accumulator	E0h	E7	E6	E5	E4	E3	E2	E1	E0	00h
AUXR1#	Auxiliary Function Register	A2h	KBF	BOD	BOI	LPEP	SRST	0	–	DPS	02h <sup>1</sup>
B*	B register	F0h	F7	F6	F5	F4	F3	F2	F1	F0	00h
CMP1#	Comparator 1 control register	AC <sub>h</sub>	–	–	CE1	CP1	CN1	OE1	CO1	CMF1	00h <sup>1</sup>
CMP2#	Comparator 2 control register	AD <sub>h</sub>	–	–	CE2	CP2	CN2	OE2	CO2	CMF2	00h <sup>1</sup>
DIVM#	CPU clock divide-by-M control	95h									00h
DPTR:	Data pointer (2 bytes)										
DPH	Data pointer high byte	83h									00h
DPL	Data pointer low byte	82h									00h
I2CFG#*	I <sup>2</sup> C configuration register	C8h/RD	CF	CE	CD	CC	CB	CA	C9	C8	00h <sup>1</sup>
			SLAVEN	MASTRQ	0	TIRUN	–	–	CT1	CT0	
		C8h/WR	SLAVEN	MASTRQ	CLRTI	TIRUN	–	–	CT1	CT0	
I2CON#*	I <sup>2</sup> C control register	D8h/RD	DF	DE	DD	DC	DB	DA	D9	D8	80h <sup>1</sup>
			RDAT	ATN	DRDY	ARL	STR	STP	MASTER	–	
		D8h/WR	CXA	IDLE	CDR	CARL	CSTR	CSTP	XSTR	XSTP	
I2DAT#	I <sup>2</sup> C data register	D9h/RD	RDAT	0	0	0	0	0	0	0	80h
		D9h/WR	XDAT	x	x	x	x	x	x	x	
IEN0*	Interrupt enable 0	A8h	AF	AE	AD	AC	AB	AA	A9	A8	00h
			EA	EWD	EBO	ES	ET1	–	ET0	EX0	
			EF	EE	ED	EC	EB	EA	E9	E8	
IEN1#*	Interrupt enable 1	E8h	ETI	–	EC1	–	–	EC2	EKB	EI2	00h <sup>1</sup>
			BF	BE	BD	BC	BB	BA	B9	B8	
			–	PWD	PBO	PS	PT1	–	PT0	PX0	
IP0*	Interrupt priority 0	B8h	–	PWDH	PBOH	PSH	PT1H	–	PT0H	PX0H	00h <sup>1</sup>
IP0H#	Interrupt priority 0 high byte	B7h	–	PWDH	PBOH	PSH	PT1H	–	PT0H	PX0H	00h <sup>1</sup>
IP1*	Interrupt priority 1	F8h	FF	FE	FD	FC	FB	FA	F9	F8	00h <sup>1</sup>
			PTI	–	PC1	–	–	PC2	PKB	PI2	
			PTIH	–	PC1H	–	–	PC2H	PKBH	PI2H	
IP1H#	Interrupt priority 1 high byte	F7h	PTIH	–	PC1H	–	–	PC2H	PKBH	PI2H	00h <sup>1</sup>

Low power, low price, low pin count (16 pin)  
microcontroller with 2 kbyte OTP

P87LPC761

Name	Description	SFR Address	Bit Functions and Addresses								Reset Value
			MSB				LSB				
KBI#	Keyboard Interrupt	86h									00h
P0*	Port 0	80h	87	86	85	84	83	82	81	80	Note 2
			–	CMP1	CMPREF	CIN1A	CIN1B	–	CIN2B	CMP2	
P1*	Port 1	90h	97	96	95	94	93	92	91	90	Note 2
			(P1.7)	–	RST	–	INT0	T0	RxD	TxD	
P2*	Port 2	A0h	A7	A6	A5	A4	A3	A2	A1	A0	Note 2
			–	–	–	–	–	–	X1	X2	
P0M1#	Port 0 output mode 1	84h	–	(P0M1.6)	(P0M1.5)	(P0M1.4)	(P0M1.3)	–	(P0M1.1)	(P0M1.0)	00h
P0M2#	Port 0 output mode 2	85h	–	(P0M2.6)	(P0M2.5)	(P0M2.4)	(P0M2.3)	–	(P0M2.1)	(P0M2.0)	00h
P1M1#	Port 1 output mode 1	91h	(P1M1.7)	–	–	–	–	–	(P1M1.1)	(P1M1.0)	00h <sup>1</sup>
P1M2#	Port 1 output mode 2	92h	(P1M2.7)	–	–	–	–	–	(P1M2.1)	(P1M2.0)	00h <sup>1</sup>
P2M1#	Port 2 output mode 1	A4h	P2S	P1S	P0S	ENCLK	–	T0OE	(P2M1.1)	(P2M1.0)	00h
P2M2#	Port 2 output mode 2	A5h	–	–	–	–	–	–	(P2M2.1)	(P2M2.0)	00h <sup>1</sup>
PCON	Power control register	87h	SMOD1	SMOD0	BOF	POF	GF1	GF0	PD	IDL	Note 3
			D7	D6	D5	D4	D3	D2	D1	D0	
PSW*	Program status word	D0h	CY	AC	F0	RS1	RS0	OV	F1	P	00h
PT0AD#	Port 0 digital input disable	F6h									00h
			9F	9E	9D	9C	9B	9A	99	98	
SCON*	Serial port control	98h	SM0	SM1	SM2	REN	TB8	RB8	TI	RI	00h
SBUF	Serial port data buffer register	99h									xxh
SADDR#	Serial port address register	A9h									00h
SADEN#	Serial port address enable	B9h									00h
SP	Stack pointer	81h									07h
			8F	8E	8D	8C	8B	8A	89	88	
TCON*	Timer 0 and 1 control	88h	TF1	TR1	TF0	TR0	–	–	IE0	IT0	00h
TH0	Timer 0 high byte	8Ch									00h
TH1	Timer 1 high byte	8Dh									00h
TL0	Timer 0 low byte	8Ah									00h
TL1	Timer 1 low byte	8Bh									00h

Low power, low price, low pin count (16 pin)  
microcontroller with 2 kbyte OTP

P87LPC761

Name	Description	SFR Address	Bit Functions and Addresses								Reset Value
			MSB				LSB				
TMOD	Timer 0 and 1 mode	89h	–	–	M1	M0	GATE	C/T	M1	M0	00h
WDCON#	Watchdog control register	A7h	–	–	WDOVF	WDRUN	WDCLK	WDS2	WDS1	WDS0	Note 4
WDRST#	Watchdog reset register	A6h									xxh

**NOTES:**

\* SFRs are bit addressable.

# SFRs are modified from or added to the 80C51 SFRs.

1. Unimplemented bits in SFRs are X (unknown) at all times. Ones should not be written to these bits since they may be used for other purposes in future derivatives. The reset value shown in the table for these bits is 0.
2. I/O port values at reset are determined by the PRHI bit in the UCFG1 configuration byte.
3. The PCON reset value is x x BOF POF–0 0 0 0b. The BOF and POF flags are not affected by reset. The POF flag is set by hardware upon power up. The BOF flag is set by the occurrence of a brownout reset/interrupt and upon power up.
4. The WDCON reset value is xx11 0000b for a Watchdog reset, xx01 0000b for all other reset causes if the watchdog is enabled, and xx00 0000b for all other reset causes if the watchdog is disabled.

# Low power, low price, low pin count (16 pin) microcontroller with 2 kbyte OTP

## P87LPC761

### FUNCTIONAL DESCRIPTION

Details of P87LPC761 functions will be described in the following sections.

#### Enhanced CPU

The P87LPC761 uses an enhanced 80C51 CPU which runs at twice the speed of standard 80C51 devices. This means that the performance of the P87LPC761 running at 5 MHz is exactly the same as that of a standard 80C51 running at 10 MHz. A machine cycle consists of 6 oscillator cycles, and most instructions execute in 6 or 12 clocks. A user configurable option allows restoring standard 80C51 execution timing. In that case, a machine cycle becomes 12 oscillator cycles.

In the following sections, the term "CPU clock" is used to refer to the clock that controls internal instruction execution. This may sometimes be different from the externally applied clock, as in the case where the part is configured for standard 80C51 timing by means of the CLKR configuration bit or in the case where the clock is divided down via the setting of the DIVM register. These features are described in the Oscillator section.

#### Analog Functions

The P87LPC761 incorporates two Analog Comparators. In order to give the best analog function performance and to minimize power consumption, pins that are actually being used for analog functions must have the digital outputs and the digital inputs disabled.

Digital outputs are disabled by putting the port output into the Input Only (high impedance) mode as described in the I/O Ports section.

Digital inputs on port 0 may be disabled through the use of the PT0AD register. Each bit in this register corresponds to one pin of

Port 0. Setting the corresponding bit in PT0AD disables that pin's digital input. Port bits that have their digital inputs disabled will be read as 0 by any instruction that accesses the port.

#### Analog Comparators

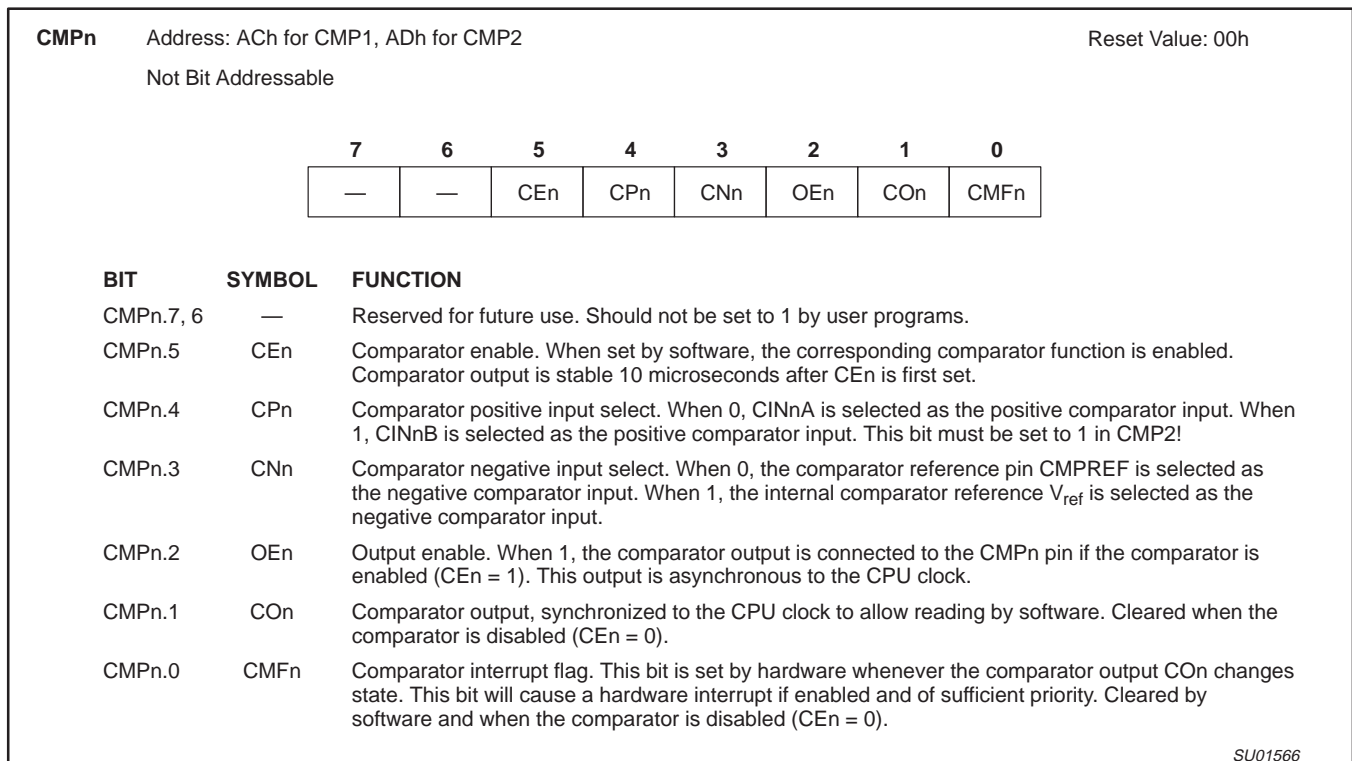
Two analog comparators are provided on the P87LPC761. Input and output options allow use of the comparators in a number of different configurations. Comparator operation is such that the output is a logical one (which may be read in a register and/or routed to a pin) when the positive input (one of two selectable pins) is greater than the negative input (selectable from a pin or an internal reference voltage). Otherwise the output is a zero. Each comparator may be configured to cause an interrupt when the output value changes.

#### Comparator Configuration

Each comparator has a control register, CMP1 for comparator 1 and CMP2 for comparator 2. The control registers are identical and are shown in Figure 2.

The overall connections to both comparators are shown in Figure 3. There are eight possible configurations for comparator 1 and four for comparator 2, as determined by the control bits in the corresponding CMPn register: CPn, CNn, and OEn. These configurations are shown in Figure 4. The comparators function down to a V<sub>DD</sub> of 3.0V.

When each comparator is first enabled, the comparator output and interrupt flag are not guaranteed to be stable for 10 microseconds. The corresponding comparator interrupt should not be enabled during that time, and the comparator interrupt flag must be cleared before the interrupt is enabled in order to prevent an immediate interrupt service.

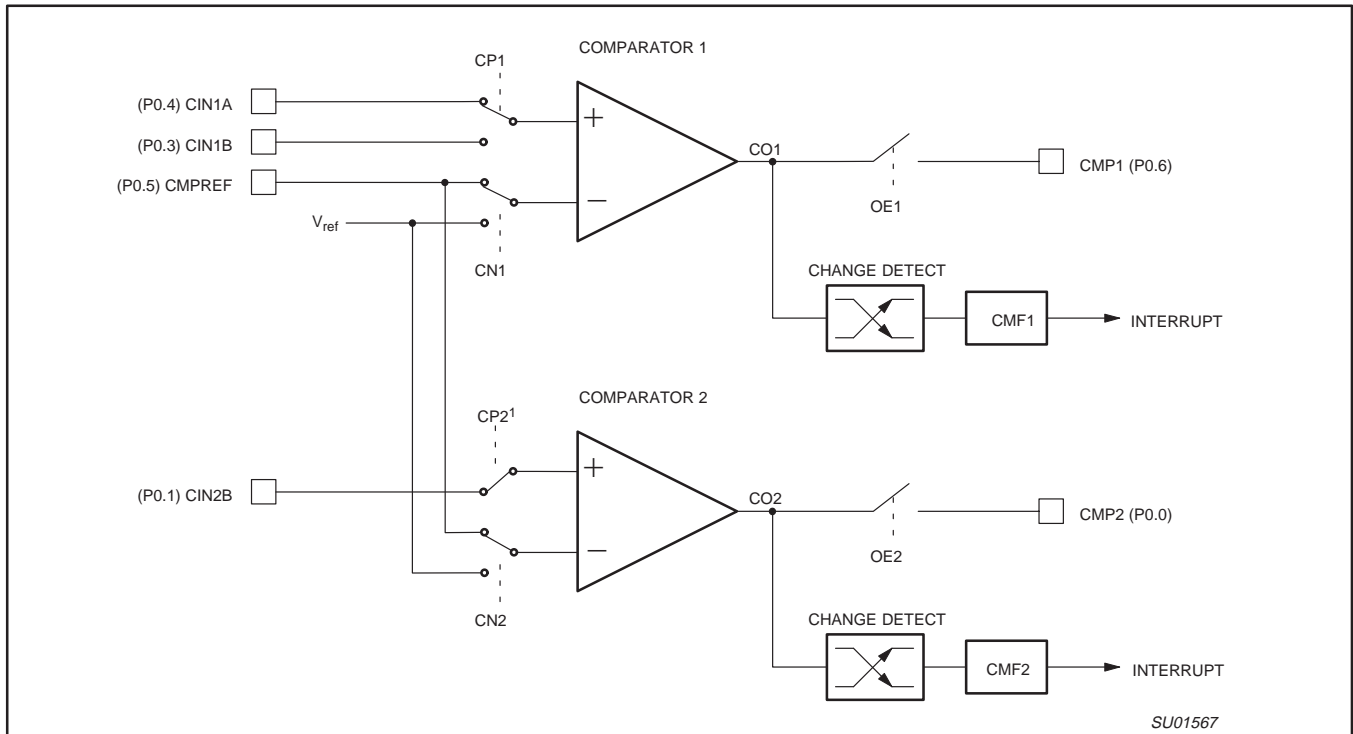


SU01566

Figure 2. Comparator Control Registers (CMP1 and CMP2)

Low power, low price, low pin count (16 pin)  
microcontroller with 2 kbyte OTP

P87LPC761



1. Bit CP2 must be set to 1 to enable CIN2B.

Figure 3. Comparator Input and Output Connections

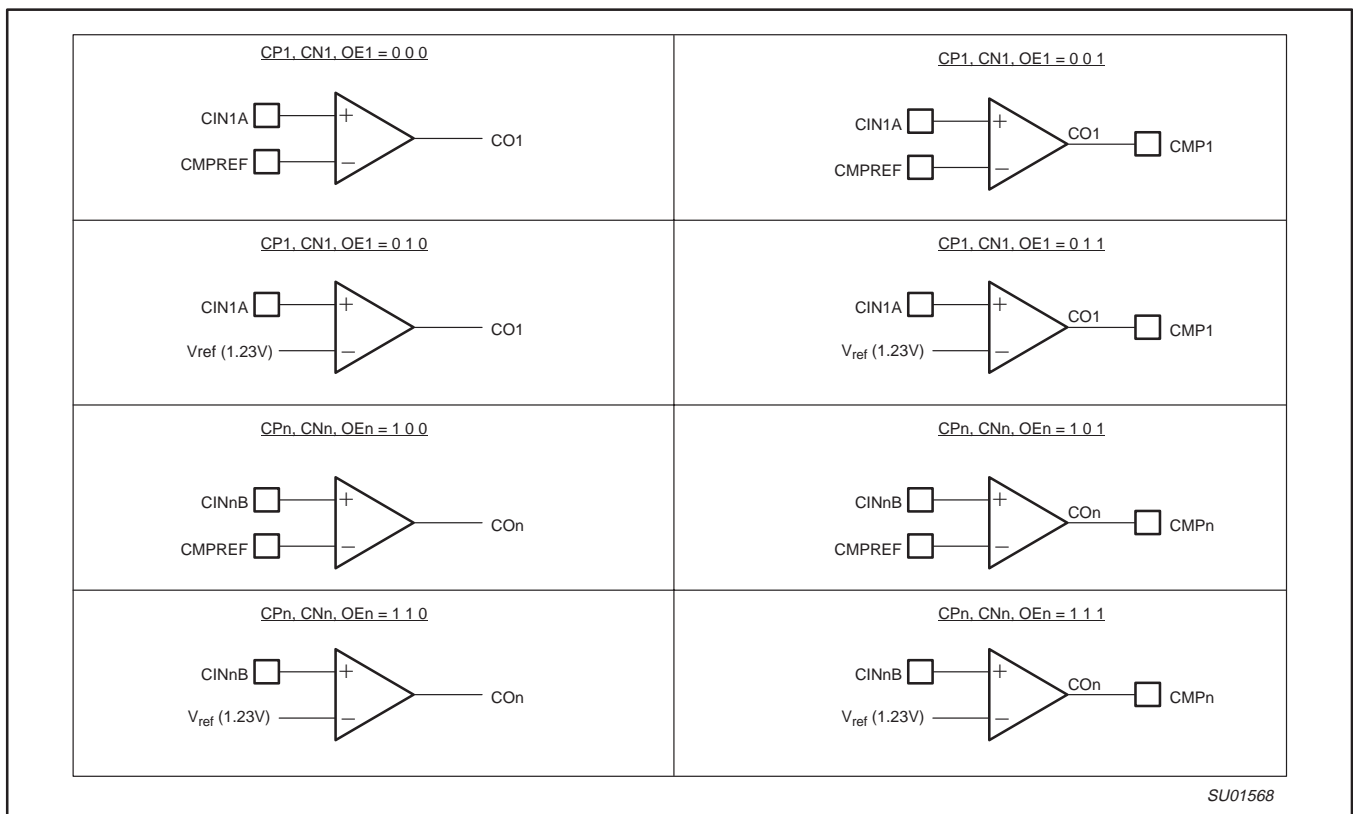


Figure 4. Comparator Configurations

# Low power, low price, low pin count (16 pin) microcontroller with 2 kbyte OTP

## P87LPC761

### Internal Reference Voltage

An internal reference voltage generator may supply a default reference when a single comparator input pin is used. The value of the internal reference voltage, referred to as  $V_{ref}$ , is  $1.23\text{ V} \pm 10\%$ .

### Comparator Interrupt

Each comparator has an interrupt flag  $CMFn$  contained in its configuration register. This flag is set whenever the comparator output changes state. The flag may be polled by software or may be used to generate an interrupt. The interrupt will be generated when the corresponding enable bit  $ECn$  in the  $IEN1$  register is set and the interrupt system is enabled via the  $EA$  bit in the  $IEN0$  register.

### Comparators and Power Reduction Modes

Either or both comparators may remain enabled when Power Down or Idle mode is activated. The comparators will continue to function in the power reduction mode. If a comparator interrupt is enabled, a change of the comparator output state will generate an interrupt and

wake up the processor. If the comparator output to a pin is enabled, the pin should be configured in the push-pull mode in order to obtain fast switching times while in power down mode. The reason is that with the oscillator stopped, the temporary strong pull-up that normally occurs during switching on a quasi-bidirectional port pin does not take place.

Comparators consume power in Power Down and Idle modes, as well as in the normal operating mode. This fact should be taken into account when system power consumption is an issue.

### Comparator Configuration Example

The code shown in Figure 5 is an example of initializing one comparator. Comparator 1 is configured to use the  $CIN1A$  and  $CMPREF$  inputs, outputs the comparator result to the  $CMP1$  pin, and generates an interrupt when the comparator output changes.

The interrupt routine used for the comparator must clear the interrupt flag ( $CMF1$  in this case) before returning.

```

CmpInit:
  mov     PTOAD,#30h      ; Disable digital inputs on pins that are used
                          ;   for analog functions: CIN1A, CMPREF.
  anl    POM2,#0cfh      ; Disable digital outputs on pins that are used
  orl    POM1,#30h       ;   for analog functions: CIN1A, CMPREF.
  mov    CMP1,#24h       ; Turn on comparator 1 and set up for:
                          ;   - Positive input on CIN1A.
                          ;   - Negative input from CMPREF pin.
                          ;   - Output to CMP1 pin enabled.
  call   delay10us       ; The comparator has to start up for at
                          ;   least 10 microseconds before use.
  anl    CMP1,#0feh      ; Clear comparator 1 interrupt flag.
  setb   EC1             ; Enable the comparator 1 interrupt. The
                          ;   priority is left at the current value.
  setb   EA              ; Enable the interrupt system (if needed).
  ret                    ; Return to caller.

```

SU01189

Figure 5.

# Low power, low price, low pin count (16 pin) microcontroller with 2 kbyte OTP

## P87LPC761

### I<sup>2</sup>C Serial Interface

The I<sup>2</sup>C bus uses two wires (SDA and SCL) to transfer information between devices connected to the bus. The main features of the bus are:

- Bidirectional data transfer between masters and slaves.
- Serial addressing of slaves (no added wiring).
- Acknowledgment after each transferred byte.
- Multimaster bus.
- Arbitration between simultaneously transmitting masters without corruption of serial data on bus.

The I<sup>2</sup>C subsystem includes hardware to simplify the software required to drive the I<sup>2</sup>C bus. The hardware is a single bit interface which in addition to including the necessary arbitration and framing error checks, includes clock stretching and a bus timeout timer. The interface is synchronized to software either through polled loops or interrupts.

Refer to the application note AN422, entitled "Using the 8XC751 Microcontroller as an I<sup>2</sup>C Bus Master" for additional discussion of the 8xC76x I<sup>2</sup>C interface and sample driver routines.

The P87LPC761 I<sup>2</sup>C implementation duplicates that of the 87C751 and 87C752 except for the following details:

- The interrupt vector addresses for both the I<sup>2</sup>C interrupt and the Timer I interrupt.
- The I<sup>2</sup>C SFR addresses (I2CON, I2CFG, I2DAT).
- The location of the I<sup>2</sup>C interrupt enable bit and the name of the SFR it is located within (EI2 is Bit 0 in IEN1).
- The location of the Timer I interrupt enable bit and the name of the SFR it is located within (ETI is Bit 7 in IEN1).
- The I<sup>2</sup>C and Timer I interrupts have a settable priority.

Timer I is used to both control the timing of the I<sup>2</sup>C bus and also to detect a "bus locked" condition, by causing an interrupt when nothing happens on the I<sup>2</sup>C bus for an inordinately long period of time while a transmission is in progress. If this interrupt occurs, the program has the opportunity to attempt to correct the fault and resume I<sup>2</sup>C operation.

Six time spans are important in I<sup>2</sup>C operation and are insured by timer I:

- The MINIMUM HIGH time for SCL when this device is the master.
- The MINIMUM LOW time for SCL when this device is a master. This is not very important for a single-bit hardware interface like this one, because the SCL low time is stretched until the software responds to the I<sup>2</sup>C flags. The software response time normally meets or exceeds the MIN LO time. In cases where the software responds within MIN HI + MIN LO time, timer I will ensure that the minimum time is met.
- The MINIMUM SCL HIGH TO SDA HIGH time in a stop condition.
- The MINIMUM SDA HIGH TO SDA LOW time between I<sup>2</sup>C stop and start conditions (4.7ms, see I<sup>2</sup>C specification).
- The MINIMUM SDA LOW TO SCL LOW time in a start condition.
- The MAXIMUM SCL CHANGE time while an I<sup>2</sup>C frame is in progress. A frame is in progress between a start condition and the following stop condition. This time span serves to detect a lack of

software response on this device as well as external I<sup>2</sup>C problems. SCL "stuck low" indicates a faulty master or slave. SCL "stuck high" may mean a faulty device, or that noise induced onto the I<sup>2</sup>C bus caused all masters to withdraw from I<sup>2</sup>C arbitration.

The first five of these times are 4.7ms (see I<sup>2</sup>C specification) and are covered by the low order three bits of timer I. Timer I is clocked by the P87LPC761 CPU clock. Timer I can be pre-loaded with one of four values to optimize timing for different oscillator frequencies. At lower frequencies, software response time is increased and will degrade maximum performance of the I<sup>2</sup>C bus. See special function register I2CFG description for prescale values (CT0, CT1).

The MAXIMUM SCL CHANGE time is important, but its exact span is not critical. The complete 10 bits of timer I are used to count out the maximum time. When I<sup>2</sup>C operation is enabled, this counter is cleared by transitions on the SCL pin. The timer does not run between I<sup>2</sup>C frames (i.e., whenever reset or stop occurred more recently than the last start). When this counter is running, it will carry out after 1020 to 1023 machine cycles have elapsed since a change on SCL. A carry out causes a hardware reset of the I<sup>2</sup>C interface and generates an interrupt if the Timer I interrupt is enabled. In cases where the bus hang-up is due to a lack of software response by this device, the reset releases SCL and allows I<sup>2</sup>C operation among other devices to continue.

Timer I is enabled to run, and will reset the I<sup>2</sup>C interface upon overflow, if the TIRUN bit in the I2CFG register is set. The Timer I interrupt may be enabled via the ETI bit in IEN1, and its priority set by the PTIH and PTI bits in the IP1H and IP1 registers respectively.

### I<sup>2</sup>C Interrupts

If I<sup>2</sup>C interrupts are enabled (EA and EI2 are both set to 1), an I<sup>2</sup>C interrupt will occur whenever the ATN flag is set by a start, stop, arbitration loss, or data ready condition (refer to the description of ATN following). In practice, it is not efficient to operate the I<sup>2</sup>C interface in this fashion because the I<sup>2</sup>C interrupt service routine would somehow have to distinguish between hundreds of possible conditions. Also, since I<sup>2</sup>C can operate at a fairly high rate, the software may execute faster if the code simply waits for the I<sup>2</sup>C interface.

Typically, the I<sup>2</sup>C interrupt should only be used to indicate a start condition at an idle slave device, or a stop condition at an idle master device (if it is waiting to use the I<sup>2</sup>C bus). This is accomplished by enabling the I<sup>2</sup>C interrupt only during the aforementioned conditions.

### Reading I2CON

RDAT	The data from SDA is captured into "Receive DATa" whenever a rising edge occurs on SCL. RDAT is also available (with seven low-order zeros) in the I2DAT register. The difference between reading it here and there is that reading I2DAT clears DRDY, allowing the I <sup>2</sup> C to proceed on to another bit. Typically, the first seven bits of a received byte are read from I2DAT, while the 8th is read here. Then I2DAT can be written to send the Acknowledge bit and clear DRDY.
ATN	"ATteNtion" is 1 when one or more of DRDY, ARL, STR, or STP is 1. Thus, ATN comprises a single bit that can be tested to release the I <sup>2</sup> C service routine from a "wait loop."
DRDY	"Data ReaDY" (and thus ATN) is set when a rising edge occurs on SCL, except at idle slave. DRDY is cleared by writing CDR = 1, or by writing or reading the I2DAT register. The following low period on SCL is stretched until the program responds by clearing DRDY.

Low power, low price, low pin count (16 pin)  
microcontroller with 2 kbyte OTP

P87LPC761

<b>I2CON</b>	Address: D8h								Reset Value: 81h
	Bit Addressable <sup>1</sup>	7	6	5	4	3	2	1	0
READ		RDAT	ATN	DRDY	ARL	STR	STP	MASTER	—
WRITE		CXA	IDLE	CDR	CARL	CSTR	CSTP	XSTR	XSTP
<b>BIT</b>	<b>SYMBOL</b>	<b>FUNCTION</b>							
I2CON.7	RDAT	Read: the most recently received data bit.							
"	CXA	Write: clears the transmit active flag.							
I2CON.6	ATN	Read: ATN = 1 if any of the flags DRDY, ARL, STR, or STP = 1.							
"	IDLE	Write: in the I <sup>2</sup> C slave mode, writing a 1 to this bit causes the I <sup>2</sup> C hardware to ignore the bus until it is needed again.							
I2CON.5	DRDY	Read: Data Ready flag, set when there is a rising edge on SCL.							
"	CDR	Write: writing a 1 to this bit clears the DRDY flag.							
I2CON.4	ARL	Read: Arbitration Loss flag, set when arbitration is lost while in the transmit mode.							
"	CARL	Write: writing a 1 to this bit clears the CARL flag.							
I2CON.3	STR	Read: Start flag, set when a start condition is detected at a master or non-idle slave.							
"	CSTR	Write: writing a 1 to this bit clears the STR flag.							
I2CON.2	STP	Read: Stop flag, set when a stop condition is detected at a master or non-idle slave.							
"	CSTP	Write: writing a 1 to this bit clears the STP flag.							
I2CON.1	MASTER	Read: indicates whether this device is currently as bus master.							
"	XSTR	Write: writing a 1 to this bit causes a repeated start condition to be generated.							
I2CON.0	—	Read: undefined.							
"	XSTP	Write: writing a 1 to this bit causes a stop condition to be generated.							

SU01155

Figure 6. I<sup>2</sup>C Control Register (I2CON)

<b>I2DAT</b>	Address: D9h								Reset Value: xxh
	Not Bit Addressable								
		7	6	5	4	3	2	1	0
READ		RDAT	—	—	—	—	—	—	—
WRITE		XDAT	—	—	—	—	—	—	—
<b>BIT</b>	<b>SYMBOL</b>	<b>FUNCTION</b>							
I2DAT.7	RDAT	Read: the most recently received data bit, captured from SDA at every rising edge of SCL. Reading I2DAT also clears DRDY and the Transmit Active state.							
"	XDAT	Write: sets the data for the next transmitted bit. Writing I2DAT also clears DRDY and sets the Transmit Active state.							
I2DAT.6–0	—	Unused.							

SU01156

Figure 7. I<sup>2</sup>C Data Register (I2DAT)



## Low power, low price, low pin count (16 pin) microcontroller with 2 kbyte OTP

# P87LPC761

### Checking ATN and DRDY

When a program detects ATN = 1, it should next check DRDY. If DRDY = 1, then if it receives the last bit, it should capture the data from RDAT (in I2DAT or I2CON). Next, if the next bit is to be sent, it should be written to I2DAT. One way or another, it should clear DRDY and then return to monitoring ATN. Note that if any of ARL, STR, or STP is set, clearing DRDY will not release SCL to high, so that the I<sup>2</sup>C will not go on to the next bit. If a program detects ATN = 1, and DRDY = 0, it should go on to examine ARL, STR, and STP.

**ARL** "Arbitration Loss" is 1 when transmit Active was set, but this device lost arbitration to another transmitter. Transmit Active is cleared when ARL is 1. There are four separate cases in which ARL is set.

1. If the program sent a 1 or repeated start, but another device sent a 0, or a stop, so that SDA is 0 at the rising edge of SCL. (If the other device sent a stop, the setting of ARL will be followed shortly by STP being set.)

2. If the program sent a 1, but another device sent a repeated start, and it drove SDA low before SCL could be driven low. (This type of ARL is always accompanied by STR = 1.)

3. In master mode, if the program sent a repeated start, but another device sent a 1, and it drove SCL low before this device could drive SDA low.

4. In master mode, if the program sent stop, but it could not be sent because another device sent a 0.

**STR** "STaRt" is set to a 1 when an I<sup>2</sup>C start condition is detected at a non-idle slave or at a master. (STR is not set when an idle slave becomes active due to a start bit; the slave has nothing useful to do until the rising edge of SCL sets DRDY.)

**STP** "SToP" is set to 1 when an I<sup>2</sup>C stop condition is detected at a non-idle slave or at a master. (STP is not set for a stop condition at an idle slave.)

**MASTER** "MASTER" is 1 if this device is currently a master on the I<sup>2</sup>C. MASTER is set when MASTRQ is 1 and the bus is not busy (i.e., if a start bit hasn't been received since reset or a "Timer 1" time-out, or if a stop has been received since the last start). MASTER is cleared when ARL is set, or after the software writes MASTRQ = 0 and then XSTP = 1.

### Writing I2CON

Typically, for each bit in an I<sup>2</sup>C message, a service routine waits for ATN = 1. Based on DRDY, ARL, STR, and STP, and on the current bit position in the message, it may then write I2CON with one or more of the following bits, or it may read or write the I2DAT register.

**CXA** Writing a 1 to "Clear Xmit Active" clears the Transmit Active state. (Reading the I2DAT register also does this.)

### Regarding Transmit Active

Transmit Active is set by writing the I2DAT register, or by writing I2CON with XSTR = 1 or XSTP = 1. The I<sup>2</sup>C interface will only drive the SDA line low when Transmit Active is set, and the ARL bit will only be set to 1 when Transmit Active is set. Transmit Active is cleared by reading the I2DAT register, or by writing I2CON with CXA = 1. Transmit Active is automatically cleared when ARL is 1.

**IDLE** Writing 1 to "IDLE" causes a slave's I<sup>2</sup>C hardware to ignore the I<sup>2</sup>C until the next start condition (but if MASTRQ is 1, then a stop condition will cause this device to become a master).

**CDR** Writing a 1 to "Clear Data Ready" clears DRDY. (Reading or writing the I2DAT register also does this.)

**CARL** Writing a 1 to "Clear Arbitration Loss" clears the ARL bit.

**CSTR** Writing a 1 to "Clear STaRt" clears the STR bit.

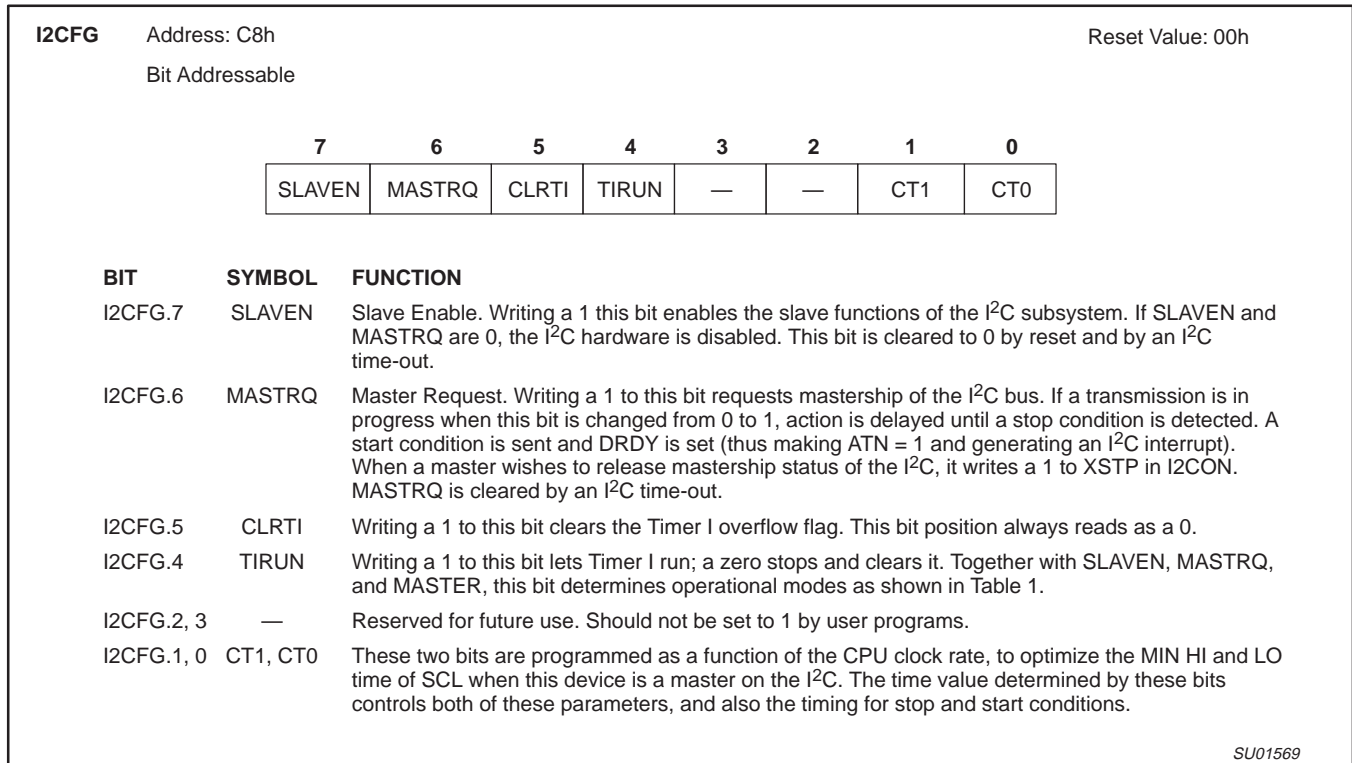
**CSTP** Writing a 1 to "Clear SToP" clears the STP bit. Note that if one or more of DRDY, ARL, STR, or STP is 1, the low time of SCL is stretched until the service routine responds by clearing them.

**XSTR** Writing 1s to "Xmit repeated STaRt" and CDR tells the I<sup>2</sup>C hardware to send a repeated start condition. This should only be at a master. Note that XSTR need not and should not be used to send an "initial" (non-repeated) start; it is sent automatically by the I<sup>2</sup>C hardware. Writing XSTR = 1 includes the effect of writing I2DAT with XDAT = 1; it sets Transmit Active and releases SDA to high during the SCL low time. After SCL goes high, the I<sup>2</sup>C hardware waits for the suitable minimum time and then drives SDA low to make the start condition.

**XSTP** Writing 1s to "Xmit SToP" and CDR tells the I<sup>2</sup>C hardware to send a stop condition. This should only be done at a master. If there are no more messages to initiate, the service routine should clear the MASTRQ bit in I2CFG to 0 before writing XSTP with 1. Writing XSTP = 1 includes the effect of writing I2DAT with XDAT = 0; it sets Transmit Active and drives SDA low during the SCL low time. After SCL goes high, the I<sup>2</sup>C hardware waits for the suitable minimum time and then releases SDA to high to make the stop condition.

# Low power, low price, low pin count (16 pin) microcontroller with 2 kbyte OTP

## P87LPC761



**Figure 8. I<sup>2</sup>C Configuration Register (I2CFG)**

### Regarding Software Response Time

Because the P87LPC761 can run at 20 MHz, and because the I<sup>2</sup>C interface is optimized for high-speed operation, it is quite likely that an I<sup>2</sup>C service routine will sometimes respond to DRDY (which is set at a rising edge of SCL) and write I2DAT before SCL has gone low again. If XDAT were applied directly to SDA, this situation would produce an I<sup>2</sup>C protocol violation. The programmer need not worry about this possibility because XDAT is applied to SDA only when SCL is low.

Conversely, a program that includes an I<sup>2</sup>C service routine may take a long time to respond to DRDY. Typically, an I<sup>2</sup>C routine operates on a flag-polling basis during a message, with interrupts from other peripheral functions enabled. If an interrupt occurs, it will delay the response of the I<sup>2</sup>C service routine. The programmer need not worry about this very much either, because the I<sup>2</sup>C hardware stretches the SCL low time until the service routine responds. The only constraint on the response is that it must not exceed the Timer I time-out.

Values to be used in the CT1 and CT0 bits are shown in Table 2. To allow the I<sup>2</sup>C bus to run at the maximum rate for a particular oscillator frequency, compare the actual oscillator rate to the f<sub>OSC</sub>

max column in the table. The value for CT1 and CT0 is found in the first line of the table where CPU clock max is greater than or equal to the actual frequency.

Table 2 also shows the machine cycle count for various settings of CT1/CT0. This allows calculation of the actual minimum high and low times for SCL as follows:

$$\text{SCL min high/low time (in microseconds)} = \frac{6 * \text{Min Time Count}}{\text{CPU clock (in MHz)}}$$

For instance, at an 8 MHz frequency, with CT1/CT0 set to 1 0, the minimum SCL high and low times will be 5.25 μs.

Table 2 also shows the Timer I timeout period (given in machine cycles) for each CT1/CT0 combination. The timeout period varies because of the way in which minimum SCL high and low times are measured. When the I<sup>2</sup>C interface is operating, Timer I is pre-loaded at every SCL transition with a value dependent upon CT1/CT0. The pre-load value is chosen such that a minimum SCL high or low time has elapsed when Timer I reaches a count of 008 (the actual value pre-loaded into Timer I is 8 minus the machine cycle count).

# Low power, low price, low pin count (16 pin) microcontroller with 2 kbyte OTP

# P87LPC761

**Table 1. Interaction of TIRUN with SLAVEN, MASTRQ, and MASTER**

SLAVEN, MASTRQ, MASTER	TIRUN	OPERATING MODE
All 0	0	The I <sup>2</sup> C interface is disabled. Timer I is cleared and does not run. This is the state assumed after a reset. If an I <sup>2</sup> C application wants to ignore the I <sup>2</sup> C at certain times, it should write SLAVEN, MASTRQ, and TIRUN all to zero.
All 0	1	The I <sup>2</sup> C interface is disabled.
Any or all 1	0	The I <sup>2</sup> C interface is enabled. The 3 low-order bits of Timer I run for min-time generation, but the hi-order bits do not, so that there is no checking for I <sup>2</sup> C being "hung." This configuration can be used for very slow I <sup>2</sup> C operation.
Any or all 1	1	The I <sup>2</sup> C interface is enabled. Timer I runs during frames on the I <sup>2</sup> C, and is cleared by transitions on SCL, and by Start and Stop conditions. This is the normal state for I <sup>2</sup> C operation.

**Table 2. CT1, CT0 Values**

CT1, CT0	Min Time Count (Machine Cycles)	CPU Clock Max (for 100 kHz I <sup>2</sup> C)	Timeout Period (Machine Cycles)
1 0	7	8.4 MHz	1023
0 1	6	7.2 MHz	1022
0 0	5	6.0 MHz	1021
1 1	4	4.8 MHz	1020

### Interrupts

The P87LPC761 uses a four priority level interrupt structure. This allows great flexibility in controlling the handling of the P87LPC761's many interrupt sources. The P87LPC761 supports up to 11 interrupt sources.

Each interrupt source can be individually enabled or disabled by setting or clearing a bit in registers IEN0 or IEN1. The IEN0 register also contains a global disable bit, EA, which disables all interrupts at once.

Each interrupt source can be individually programmed to one of four priority levels by setting or clearing bits in the IPO, IPOH, IP1, and IP1H registers. An interrupt service routine in progress can be

interrupted by a higher priority interrupt, but not by another interrupt of the same or lower priority. The highest priority interrupt service cannot be interrupted by any other interrupt source. So, if two requests of different priority levels are received simultaneously, the request of higher priority level is serviced.

If requests of the same priority level are received simultaneously, an internal polling sequence determines which request is serviced. This is called the arbitration ranking. Note that the arbitration ranking is only used to resolve simultaneous requests of the same priority level.

Table 3 summarizes the interrupt sources, flag bits, vector addresses, enable bits, priority bits, arbitration ranking, and whether each interrupt may wake up the CPU from Power Down mode.

**Table 3. Summary of Interrupts**

Description	Interrupt Flag Bit(s)	Vector Address	Interrupt Enable Bit(s)	Interrupt Priority	Arbitration Ranking	Power Down Wakeup
External Interrupt 0	IE0	0003h	EX0 (IEN0.0)	IP0H.0, IP0.0	1 (highest)	Yes
Timer 0 Interrupt	TF0	000Bh	ET0 (IEN0.1)	IP0H.1, IP0.1	4	No
Timer 1 Interrupt	TF1	001Bh	ET1 (IEN0.3)	IP0H.3, IP0.3	8	No
Serial Port Tx and Rx	TI & RI	0023h	ES (IEN0.4)	IP0H.4, IP0.4	10	No
Brownout Detect	BOF	002Bh	EBO (IEN0.5)	IP0H.5, IP0.5	2	Yes
I <sup>2</sup> C Interrupt	ATN	0033h	EI2 (IEN1.0)	IP1H.0, IP1.0	5	No
KBI Interrupt	KBF	003Bh	EKB (IEN1.1)	IP1H.1, IP1.1	6	Yes
Comparator 2 interrupt	CMF2	0043h	EC2 (IEN1.2)	IP1H.2, IP1.2	9	Yes
Watchdog Timer	WDOVF	0053h	EWD (IEN0.6)	IP0H.6, IP0.6	3	Yes
Comparator 1 interrupt	CMF1	0063h	EC1 (IEN1.5)	IP1H.5, IP1.5	7	Yes
Timer I interrupt	–	0073h	ETI (IEN1.7)	IP1H.7, IP1.7	11 (lowest)	No

# Low power, low price, low pin count (16 pin) microcontroller with 2 kbyte OTP

## P87LPC761

### External Interrupt Inputs

The P87LPC761 has one individual interrupt input as well as the Keyboard Interrupt function. The latter is described separately in this section. The interrupt input is identical to those present on the standard 80C51 microcontroller.

The external sources can be programmed to be level-activated or transition-activated by setting or clearing bit IT0 in Register TCON. If IT0 = 0, external interrupt 0 is triggered by a detected low at the INT0 pin. If IT0 = 1, external interrupt 0 is edge-triggered. In this mode if successive samples of the INT0 pin show a high in one cycle and a low in the next cycle, interrupt request flag IE0 in TCON is set, causing an interrupt request.

Since the external interrupt pins are sampled once each machine cycle, an input high or low should hold for at least 6 CPU Clocks to ensure proper sampling. If the external interrupt is

transition-activated, the external source has to hold the request pin high for at least one machine cycle, and then hold it low for at least one machine cycle. This is to ensure that the transition is seen and that interrupt request flag IE0 is set. IE0 is automatically cleared by the CPU when the service routine is called.

If the external interrupt is level-activated, the external source must hold the request active until the requested interrupt is actually generated. If the external interrupt is still asserted when the interrupt service routine is completed another interrupt will be generated. It is not necessary to clear the interrupt flag IE0 when the interrupt is level sensitive, it simply tracks the input pin level.

If an external interrupt is enabled when the P87LPC761 is put into Power Down or Idle mode, the interrupt will cause the processor to wake up and resume operation. Refer to the section on Power Reduction Modes for details.

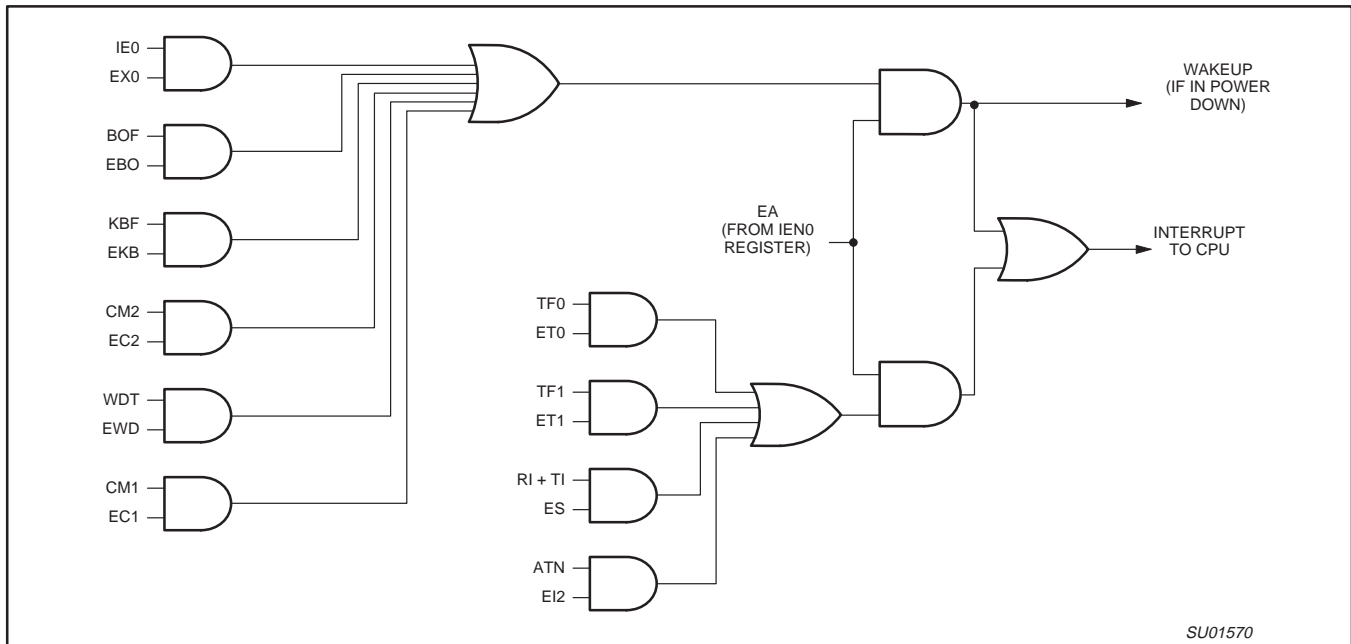


Figure 9. Interrupt Sources, Interrupt Enables, and Power Down Wakeup Sources

# Low power, low price, low pin count (16 pin) microcontroller with 2 kbyte OTP

## P87LPC761

### I/O Ports

The P87LPC761 has 3 I/O ports, port 0, port 1, and port 2. The exact number of I/O pins available depend upon the oscillator and reset options chosen. At least 11 pins of the P87LPC761 may be used as I/Os when a two-pin external oscillator and an external reset circuit are used. Up to 14 pins may be available if fully on-chip oscillator and reset configurations are chosen.

All but three I/O port pins on the P87LPC761 may be software-configured to one of four types on a bit-by-bit basis, as shown in Table 4. These are: quasi-bidirectional (standard 80C51 port outputs), push-pull, open drain, and input only. Two configuration registers for each port choose the output type for each port pin.

**Table 4. Port Output Configuration Settings**

PxM1.y	PxM2.y	Port Output Mode
0	0	Quasi-bidirectional
0	1	Push-Pull
1	0	Input Only (High Impedance)
1	1	Open Drain

### Quasi-Bidirectional Output Configuration

The default port output configuration for standard P87LPC761 I/O ports is the quasi-bidirectional output that is common on the 80C51

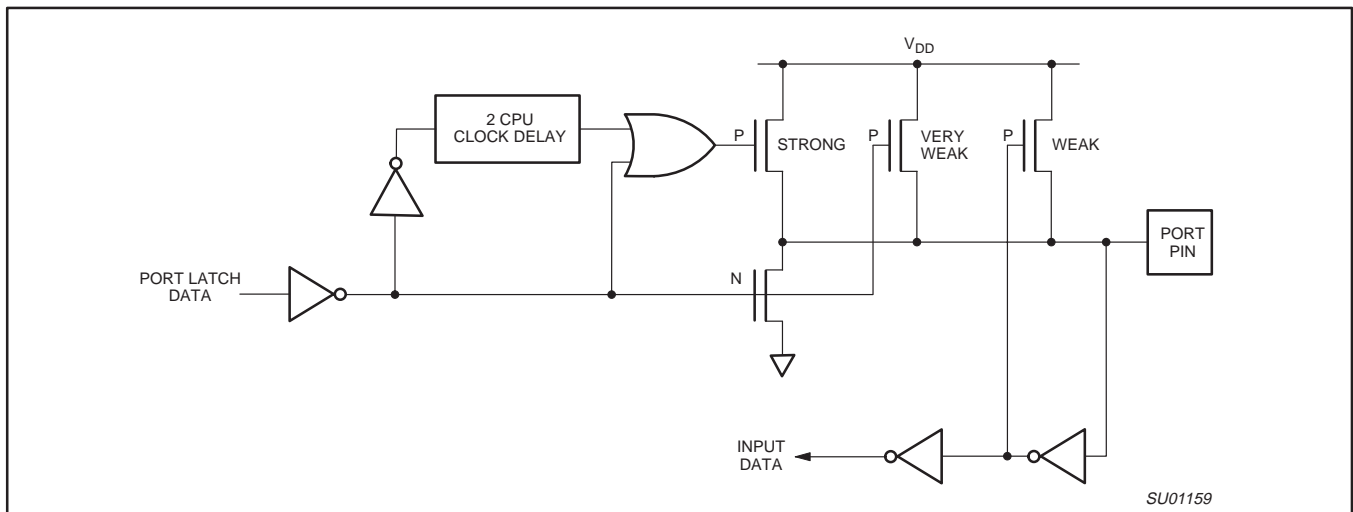
and most of its derivatives. This output type can be used as both an input and output without the need to reconfigure the port. This is possible because when the port outputs a logic high, it is weakly driven, allowing an external device to pull the pin low. When the pin is pulled low, it is driven strongly and able to sink a fairly large current. These features are somewhat similar to an open drain output except that there are three pull-up transistors in the quasi-bidirectional output that serve different purposes.

One of these pull-ups, called the “very weak” pull-up, is turned on whenever the port latch for the pin contains a logic 1. The very weak pull-up sources a very small current that will pull the pin high if it is left floating.

A second pull-up, called the “weak” pull-up, is turned on when the port latch for the pin contains a logic 1 and the pin itself is also at a logic 1 level. This pull-up provides the primary source current for a quasi-bidirectional pin that is outputting a 1. If a pin that has a logic 1 on it is pulled low by an external device, the weak pull-up turns off, and only the very weak pull-up remains on. In order to pull the pin low under these conditions, the external device has to sink enough current to overpower the weak pull-up and take the voltage on the port pin below its input threshold.

The third pull-up is referred to as the “strong” pull-up. This pull-up is used to speed up low-to-high transitions on a quasi-bidirectional port pin when the port latch changes from a logic 0 to a logic 1. When this occurs, the strong pull-up turns on for a brief time, two CPU clocks, in order to pull the port pin high quickly. Then it turns off again.

The quasi-bidirectional port configuration is shown in Figure 10.



**Figure 10. Quasi-Bidirectional Output**

# Low power, low price, low pin count (16 pin) microcontroller with 2 kbyte OTP

## P87LPC761

### Open Drain Output Configuration

The open drain output configuration turns off all pull-ups and only drives the pull-down transistor of the port driver when the port latch contains a logic 0. To be used as a logic output, a port configured in this manner must have an external pull-up, typically a resistor tied to  $V_{DD}$ . The pull-down for this mode is the same as for the quasi-bidirectional mode.

The open drain port configuration is shown in Figure 11.

### Push-Pull Output Configuration

The push-pull output configuration has the same pull-down structure as both the open drain and the quasi-bidirectional output modes, but provides a continuous strong pull-up when the port latch contains a logic 1. The push-pull mode may be used when more source current is needed from a port output.

The push-pull port configuration is shown in Figure 12.

The three port pins that cannot be configured are P1.2, P1.3, and P1.5. The port pins P1.2 and P1.3 are permanently configured as open drain outputs. They may be used as inputs by writing ones to their respective port latches. P1.5 may be used as a Schmitt trigger input if the P87LPC761 has been configured for an internal reset and is not using the external reset input function  $\overline{RST}$ .

Additionally, port pins P2.0 and P2.1 are disabled for both input and output if one of the crystal oscillator options is chosen. Those options are described in the Oscillator section.

The value of port pins at reset is determined by the PRHI bit in the UCFG1 register. Ports may be configured to reset high or low as needed for the application. When port pins are driven high at reset, they are in quasi-bidirectional mode and therefore do not source large amounts of current.

Every output on the P87LPC761 may potentially be used as a 20 mA sink LED drive output. However, there is a maximum total output current for all ports which must not be exceeded.

All ports pins of the P87LPC761 have slew rate controlled outputs. This is to limit noise generated by quickly switching output signals. The slew rate is factory set to approximately 10 ns rise and fall times.

The bits in the P2M1 register that are not used to control configuration of P2.1 and P2.0 are used for other purposes. These bits can enable Schmitt trigger inputs on each I/O port, enable the toggle output from Timer 0, and enable a clock output if either the internal RC oscillator or external clock input is being used. The last two functions are described in the Timer/Counters and Oscillator sections respectively. The enable bits for all of these functions are shown in Figure 13.

Each I/O port of the P87LPC761 may be selected to use TTL level inputs or Schmitt inputs with hysteresis. A single configuration bit determines this selection for the entire port. Port pins P1.2, P1.3, and P1.5 always have a Schmitt trigger input.

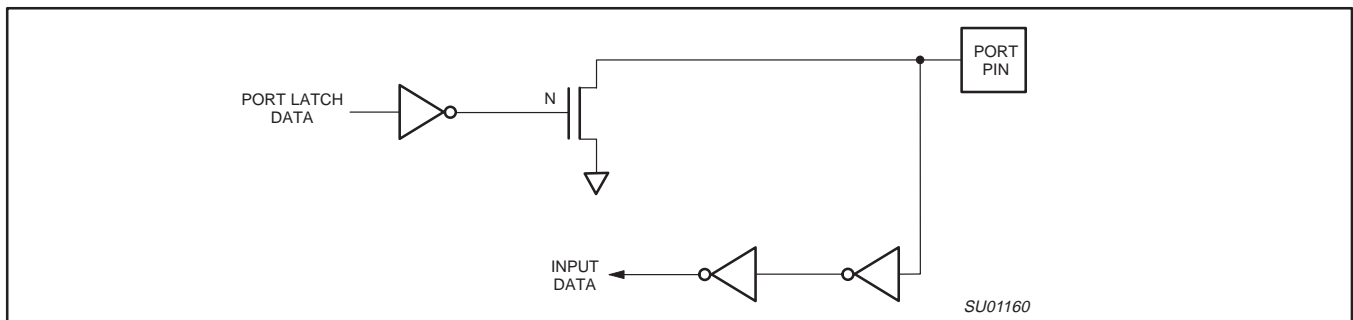


Figure 11. Open Drain Output

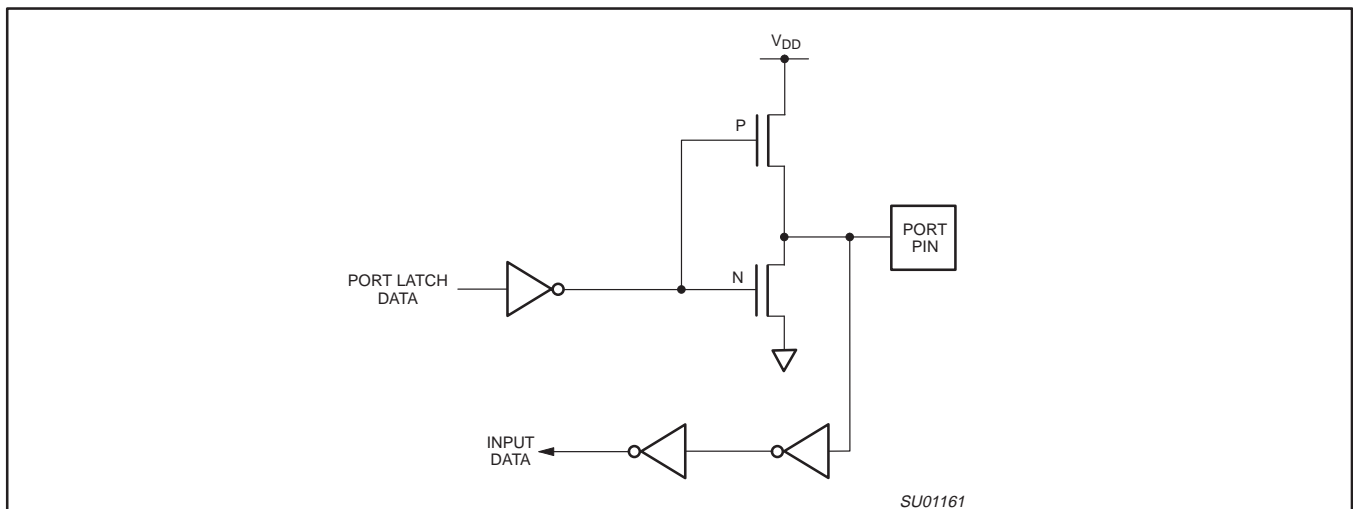
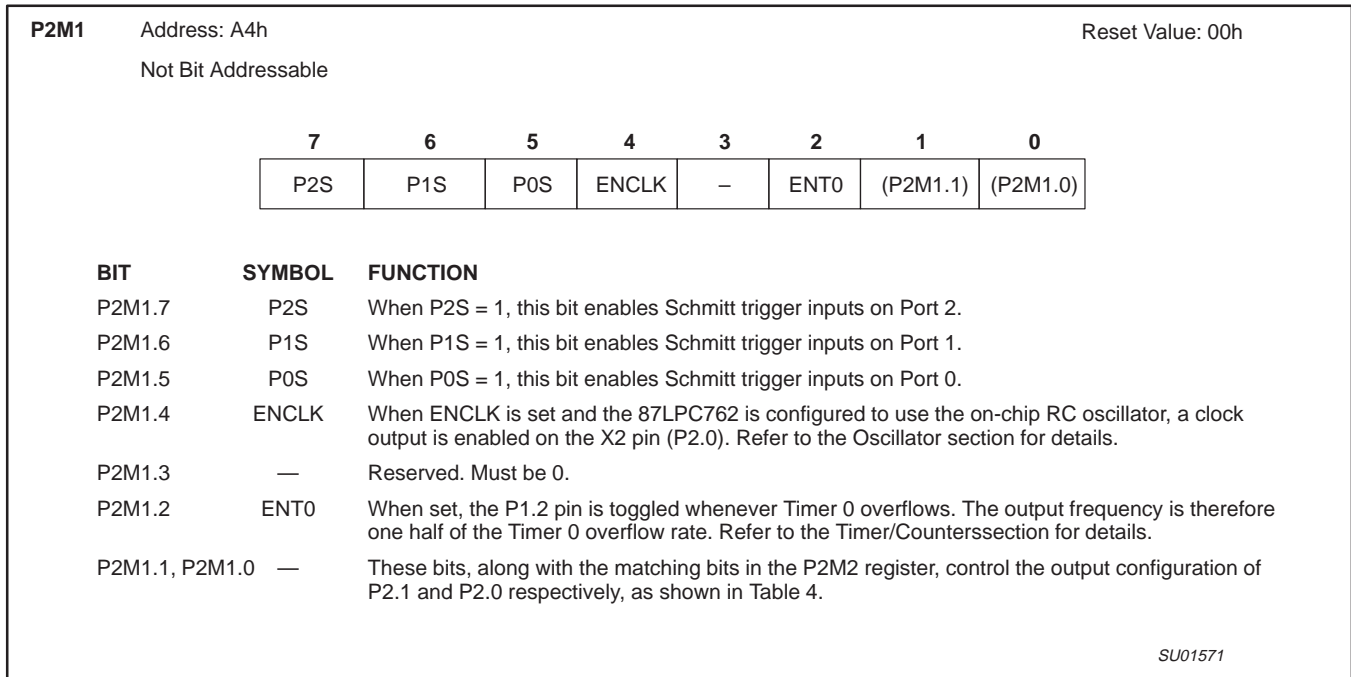


Figure 12. Push-Pull Output

Low power, low price, low pin count (16 pin) microcontroller with 2 kbyte OTP

P87LPC761



**Figure 13. Port 2 Mode Register 1 (P2M1)**

**Keyboard Interrupt (KBI)**

The Keyboard Interrupt function is intended primarily to allow a single interrupt to be generated when any key is pressed on a keyboard or keypad connected to specific pins of the P87LPC761, as shown in Figure 14. This interrupt may be used to wake up the CPU from Idle or Power Down modes. This feature is particularly useful in handheld, battery powered systems that need to carefully manage power consumption yet also need to be convenient to use.

The P87LPC761 allows any or all pins of port 0 to be enabled to cause this interrupt. Port pins are enabled by the setting of bits in

the KBI register, as shown in Figure 15. The Keyboard Interrupt Flag (KBF) in the AUXR1 register is set when any enabled pin is pulled low while the KBI interrupt function is active. An interrupt will be generated if it has been enabled. Note that the KBF bit must be cleared by software.

Due to human time scales and the mechanical delay associated with keyswitch closures, the KBI feature will typically allow the interrupt service routine to poll port 0 in order to determine which key was pressed, even if the processor has to wake up from Power Down mode. Refer to the section on Power Reduction Modes for details.

Low power, low price, low pin count (16 pin)  
microcontroller with 2 kbyte OTP

P87LPC761

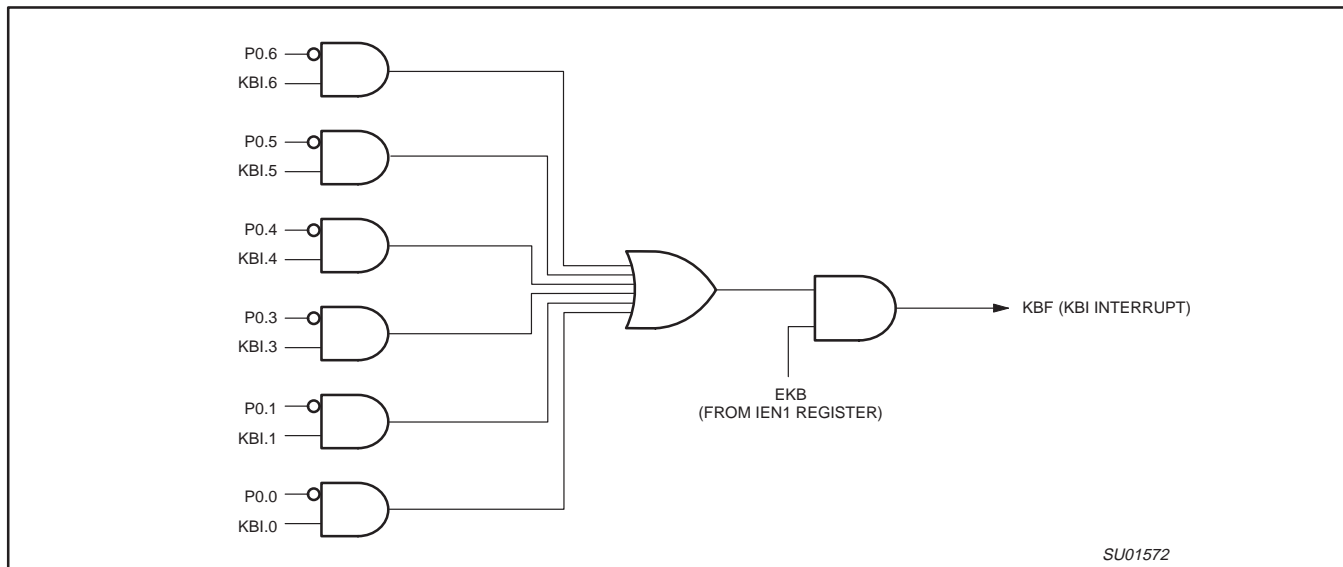


Figure 14. Keyboard Interrupt

**KBI** Address: 86h Reset Value: 00h  
Not Bit Addressable

7	6	5	4	3	2	1	0
—	KBI.6	KBI.5	KBI.4	KBI.3	—	KBI.1	KBI.0

BIT	SYMBOL	FUNCTION
KBI.7	—	Reserved. Must be 0.
KBI.6	KBI.6	When set, enables P0.6 as a cause of a Keyboard Interrupt.
KBI.5	KBI.5	When set, enables P0.5 as a cause of a Keyboard Interrupt.
KBI.4	KBI.4	When set, enables P0.4 as a cause of a Keyboard Interrupt.
KBI.3	KBI.3	When set, enables P0.3 as a cause of a Keyboard Interrupt.
KBI.2	—	Reserved. Must be 0.
KBI.1	KBI.1	When set, enables P0.1 as a cause of a Keyboard Interrupt.
KBI.0	KBI.0	When set, enables P0.0 as a cause of a Keyboard Interrupt.

Note: the Keyboard Interrupt must be enabled in order for the settings of the KBI register to be effective. The interrupt flag (KBF) is located at bit 7 of AUXR1.

Figure 15. Keyboard Interrupt Register (KBI)



# Low power, low price, low pin count (16 pin) microcontroller with 2 kbyte OTP

## P87LPC761

### Oscillator

The P87LPC761 provides several user selectable oscillator options, allowing optimization for a range of needs from high precision to lowest possible cost. These are configured when the EPROM is

programmed. Basic oscillator types that are supported include: low, medium, and high speed crystals, covering a range from 20 kHz to 20 MHz; ceramic resonators; and on-chip RC oscillator.

### Low Frequency Oscillator Option

This option supports an external crystal in the range of 20 kHz to 100 kHz.

Table 5 shows capacitor values that may be used with a quartz crystal in this mode.

**Table 5. Recommended oscillator capacitors for use with the low frequency oscillator option**

Oscillator Frequency	V <sub>DD</sub> = 2.7 to 4.5 V			V <sub>DD</sub> = 4.5 to 6.0 V		
	Lower Limit	Optimal Value	Upper Limit	Lower Limit	Optimal Value	Upper Limit
20 kHz	15 pF	15 pF	33 pF	33 pF	33 pF	47 pF
32 kHz	15 pF	15 pF	33 pF	33 pF	33 pF	47 pF
100 kHz	15 pF	15 pF	33 pF	15 pF	15 pF	33 pF

### Medium Frequency Oscillator Option

This option supports an external crystal in the range of 100 kHz to 4 MHz. Ceramic resonators are also supported in this configuration.

Table 6 shows capacitor values that may be used with a quartz crystal in this mode.

**Table 6. Recommended oscillator capacitors for use with the medium frequency oscillator option**

Oscillator Frequency	V <sub>DD</sub> = 2.7 to 4.5 V		
	Lower Limit	Optimal Value	Upper Limit
100 kHz	33 pF	33 pF	47 pF
1 MHz	15 pF	15 pF	33 pF
4 MHz	15 pF	15 pF	33 pF

### High Frequency Oscillator Option

This option supports an external crystal in the range of 4 to 20 MHz. Ceramic resonators are also supported in this configuration.

Table 7 shows capacitor values that may be used with a quartz crystal in this mode.

**Table 7. Recommended oscillator capacitors for use with the high frequency oscillator option**

Oscillator Frequency	V <sub>DD</sub> = 2.7 to 4.5 V			V <sub>DD</sub> = 4.5 to 6.0 V		
	Lower Limit	Optimal Value	Upper Limit	Lower Limit	Optimal Value	Upper Limit
4 MHz	15 pF	33 pF	47 pF	15 pF	33 pF	68 pF
8 MHz	15 pF	15 pF	33 pF	15 pF	33 pF	47 pF
16 MHz	–	–	–	15 pF	15 pF	33 pF
20 MHz	–	–	–	15 pF	15 pF	33 pF

### On-Chip RC Oscillator Option

The on-chip RC oscillator option has a typical frequency of 6 MHz and can be divided down for slower operation through the use of the DIVM register. For on-chip oscillator tolerance see Electrical Characteristics table. A clock output on the X2/P2.0 pin may be enabled when the on-chip RC oscillator is used.

the X2/P2.0 pin may be enabled when the external clock input is used.

### External Clock Input Option

In this configuration, the processor clock is input from an external source driving the X1/P2.1 pin. The rate may be from 0 Hz up to 20 MHz when V<sub>DD</sub> is above 4.5 V and up to 10 MHz when V<sub>DD</sub> is below 4.5 V. When the external clock input mode is used, the X2/P2.0 pin may be used as a standard port pin. A clock output on

### Clock Output

The P87LPC761 supports a clock output function when either the on-chip RC oscillator or external clock input options are selected. This allows external devices to synchronize to the P87LPC761. When enabled, via the ENCLK bit in the P2M1 register, the clock output appears on the X2/CLKOUT pin whenever the on-chip oscillator is running, including in Idle mode. The frequency of the clock output is 1/6 of the CPU clock rate. If the clock output is not needed in Idle mode, it may be turned off prior to entering Idle, saving additional power. The clock output may also be enabled when the external clock input option is selected.

# Low power, low price, low pin count (16 pin) microcontroller with 2 kbyte OTP

## P87LPC761

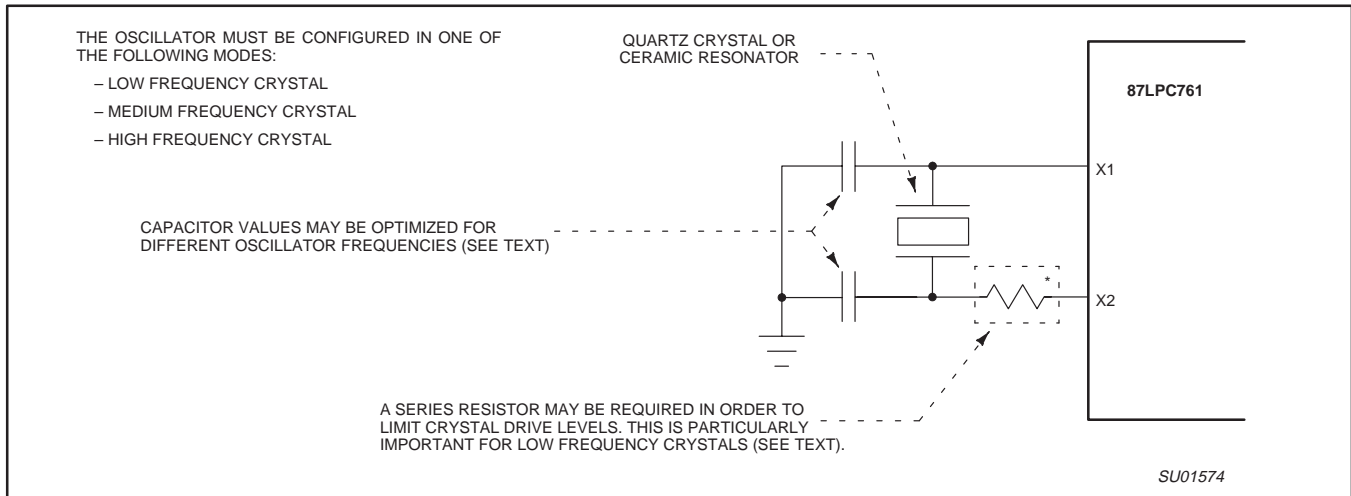


Figure 16. Using the Crystal Oscillator

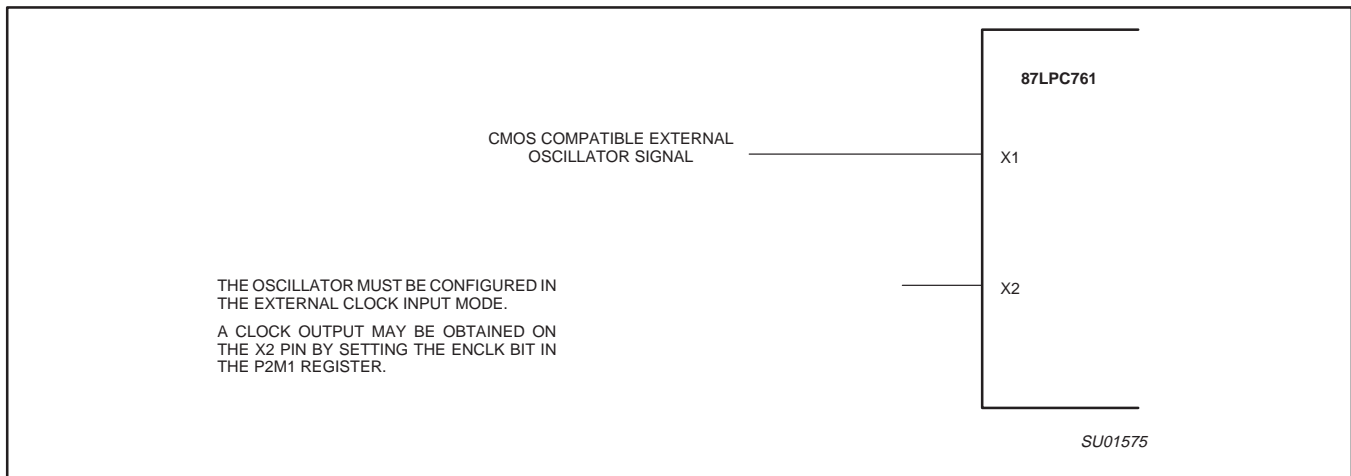


Figure 17. Using an External Clock Input

# Low power, low price, low pin count (16 pin) microcontroller with 2 kbyte OTP

## P87LPC761

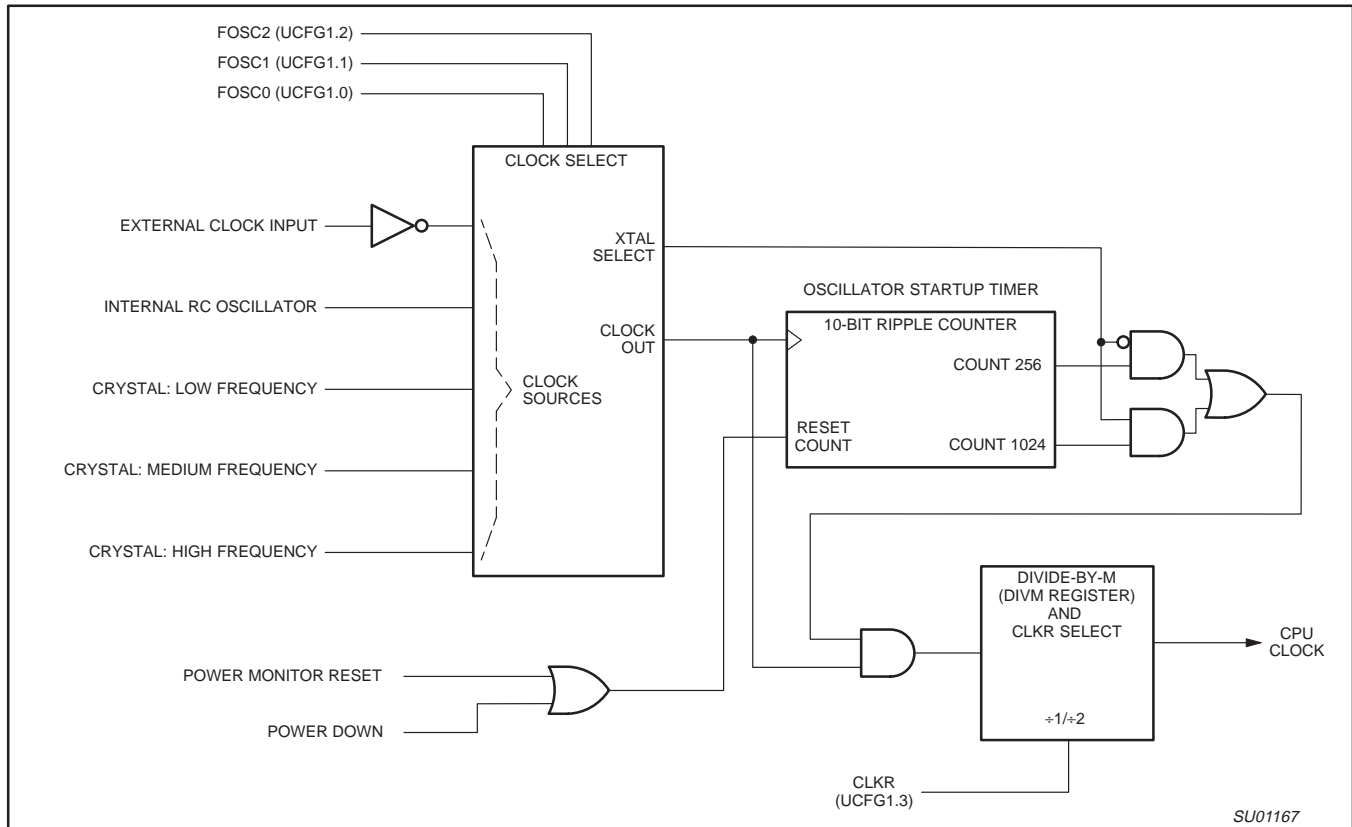


Figure 18. Block Diagram of Oscillator Control

### CPU Clock Modification: CLKR and DIVM

For backward compatibility, the CLKR configuration bit allows setting the P87LPC761 instruction and peripheral timing to match standard 80C51 timing by dividing the CPU clock by two. Default timing for the P87LPC761 is 6 CPU clocks per machine cycle while standard 80C51 timing is 12 clocks per machine cycle. This division also applies to peripheral timing, allowing 80C51 code that is oscillator frequency and/or timer rate dependent. The CLKR bit is located in the EPROM configuration register UCFG1, described under EPROM Characteristics

In addition to this, the CPU clock may be divided down from the oscillator rate by a programmable divider, under program control. This function is controlled by the DIVM register. If the DIVM register is set to zero (the default value), the CPU will be clocked by either the unmodified oscillator rate, or that rate divided by two, as determined by the previously described CLKR function.

When the DIVM register is set to some value N (between 1 and 255), the CPU clock is divided by  $2 * (N + 1)$ . Clock division values from 4 through 512 are thus possible. This feature makes it possible to temporarily run the CPU at a lower rate, reducing power consumption, in a manner similar to Idle mode. By dividing the clock, the CPU can retain the ability to respond to events other than those that can cause interrupts (i.e. events that allow exiting the Idle mode) by executing its normal program at a lower rate. This can allow bypassing the oscillator startup time in cases where Power Down mode would otherwise be used. The value of DIVM may be changed by the program at any time without interrupting code execution.

### Power Monitoring Functions

The P87LPC761 incorporates power monitoring functions designed to prevent incorrect operation during initial power up and power loss or reduction during operation. This is accomplished with two hardware functions: Power-On Detect and Brownout Detect.

#### Brownout Detection

The Brownout Detect function allows preventing the processor from failing in an unpredictable manner if the power supply voltage drops below a certain level. The default operation is for a brownout detection to cause a processor reset, however it may alternatively be configured to generate an interrupt by setting the BOI bit in the AUXR1 register (AUXR1.5).

The P87LPC761 allows selection of two Brownout levels: 2.5 V or 3.8 V. When  $V_{DD}$  drops below the selected voltage, the brownout detector triggers and remains active until  $V_{DD}$  is returns to a level above the Brownout Detect voltage. When Brownout Detect causes a processor reset, that reset remains active as long as  $V_{DD}$  remains below the Brownout Detect voltage. When Brownout Detect generates an interrupt, that interrupt occurs once as  $V_{DD}$  crosses from above to below the Brownout Detect voltage. For the interrupt to be processed, the interrupt system and the BOI interrupt must both be enabled (via the EA and EBO bits in IEN0).

When Brownout Detect is activated, the BOF flag in the PCON register is set so that the cause of processor reset may be determined by software. This flag will remain set until cleared by software.

# Low power, low price, low pin count (16 pin) microcontroller with 2 kbyte OTP

## P87LPC761

For correct activation of Brownout Detect, the  $V_{DD}$  fall time must be no faster than 50 mV/ $\mu$ s. When  $V_{DD}$  is restored, it should not rise faster than 2 mV/ $\mu$ s in order to insure a proper reset.

The brownout voltage (2.5 V or 3.8 V) is selected via the BOV bit in the EPROM configuration register UCFG1. When unprogrammed (BOV = 1), the brownout detect voltage is 2.5 V. When programmed (BOV = 0), the brownout detect voltage is 3.8 V.

If the Brownout Detect function is not required in an application, it may be disabled, thus saving power. Brownout Detect is disabled by setting the control bit BOD in the AUXR1 register (AUXR1.6).

### Power On Detection

The Power On Detect has a function similar to the Brownout Detect, but is designed to work as power comes up initially, before the power supply voltage reaches a level where Brownout Detect can work. When this feature is activated, the POF flag in the PCON register is set to indicate an initial power up condition. The POF flag will remain set until cleared by software.

### Power Reduction Modes

The P87LPC761 supports Idle and Power Down modes of power reduction.

#### Idle Mode

The Idle mode leaves peripherals running in order to allow them to activate the processor when an interrupt is generated. Any enabled interrupt source or Reset may terminate Idle mode. Idle mode is entered by setting the IDL bit in the PCON register (see Figure 19).

#### Power Down Mode

The Power Down mode stops the oscillator in order to absolutely minimize power consumption. Power Down mode is entered by setting the PD bit in the PCON register (see Figure 19).

The processor can be made to exit Power Down mode via Reset or one of the interrupt sources shown in Table 5. This will occur if the interrupt is enabled and its priority is higher than any interrupt currently in progress.

In Power Down mode, the power supply voltage may be reduced to the RAM keep-alive voltage  $V_{RAM}$ . This retains the RAM contents at the point where Power Down mode was entered. SFR contents are not guaranteed after  $V_{DD}$  has been lowered to  $V_{RAM}$ , therefore it is recommended to wake up the processor via Reset in this case.  $V_{DD}$  must be raised to within the operating range before the Power Down mode is exited. Since the watchdog timer has a separate oscillator, it may reset the processor upon overflow if it is running during Power Down.

Note that if the Brownout Detect reset is enabled, the processor will be put into reset as soon as  $V_{DD}$  drops below the brownout voltage. If Brownout Detect is configured as an interrupt and is enabled, it will wake up the processor from Power Down mode when  $V_{DD}$  drops below the brownout voltage.

When the processor wakes up from Power Down mode, it will start the oscillator immediately and begin execution when the oscillator is stable. Oscillator stability is determined by counting 1024 CPU clocks after start-up when one of the crystal oscillator configurations is used, or 256 clocks after start-up for the internal RC or external clock input configurations.

Some chip functions continue to operate and draw power during Power Down mode, increasing the total power used during Power Down. These include the Brownout Detect, Watchdog Timer, and Comparators.

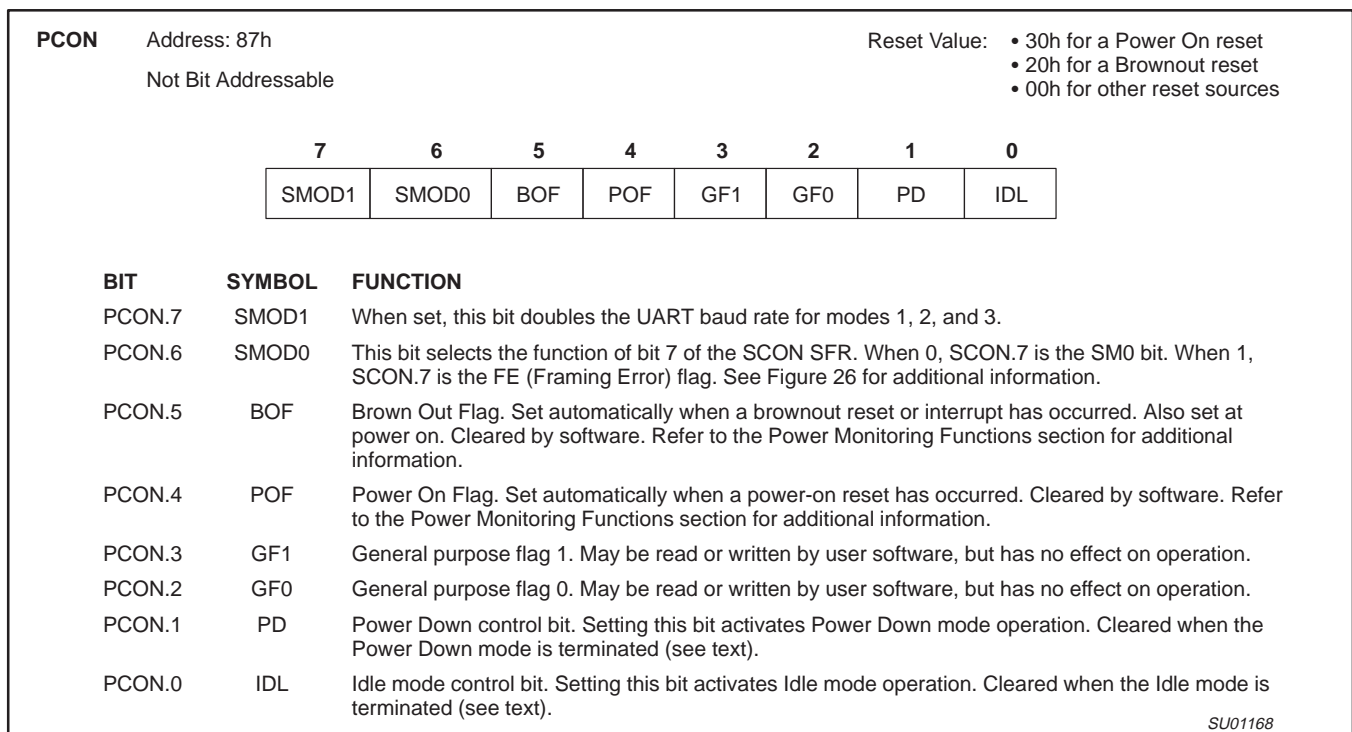


Figure 19. Power Control Register (PCON)

Low power, low price, low pin count (16 pin)  
microcontroller with 2 kbyte OTP

P87LPC761

**Table 8. Sources of Wakeup from Power Down Mode**

Wakeup Source	Conditions
External Interrupt 0	The corresponding interrupt must be enabled.
Keyboard Interrupt	The keyboard interrupt feature must be enabled and properly set up. The corresponding interrupt must be enabled.
Comparator 1 or 2	The comparator(s) must be enabled and properly set up. The corresponding interrupt must be enabled.
Watchdog Timer Reset	The watchdog timer must be enabled via the WDTE bit in the UCFG1 EPROM configuration byte.
Watchdog Timer Interrupt	The WDTE bit in the UCFG1 EPROM configuration byte must not be set. The corresponding interrupt must be enabled.
Brownout Detect Reset	The BOD bit in AUXR1 must not be set (brownout detect not disabled). The BOI bit in AUXR1 must not be set (brownout interrupt disabled).
Brownout Detect Interrupt	The BOD bit in AUXR1 must not be set (brownout detect not disabled). The BOI bit in AUXR1 must be set (brownout interrupt enabled). The corresponding interrupt must be enabled.
Reset Input	The external reset input must be enabled.

# Low power, low price, low pin count (16 pin) microcontroller with 2 kbyte OTP

## P87LPC761

### Low Voltage EPROM Operation

The EPROM array contains some analog circuits that are not required when  $V_{DD}$  is less than 4 V, but are required for a  $V_{DD}$  greater than 4 V. The LPEP bit (AUXR.4), when set by software, will power down these analog circuits resulting in a reduced supply current. LPEP is cleared only by power-on reset, so it may be set ONLY for applications that always operate with  $V_{DD}$  less than 4 V.

### Reset

The P87LPC761 has an integrated power-on reset circuit which always provides a reset when power is initially applied to the device. It is recommended to use the internal reset whenever possible to

save external components and to be able to use pin P1.5 as a general-purpose input pin.

The P87LPC761 can additionally be configured to use P1.5 as an external active-low reset pin  $\overline{RST}$  by programming the RPD bit in the User Configuration Register UCFG1 to 0. The internal reset is still active on power-up of the device. While the signal on the  $\overline{RST}$  pin is low, the P87LPC761 is held in reset until the signal goes high.

The watchdog timer on the P87LPC761 can act as an oscillator fail detect because it uses an independent, fully on-chip oscillator.

UCFG1 is described in the System Configuration Bytes section of this datasheet.

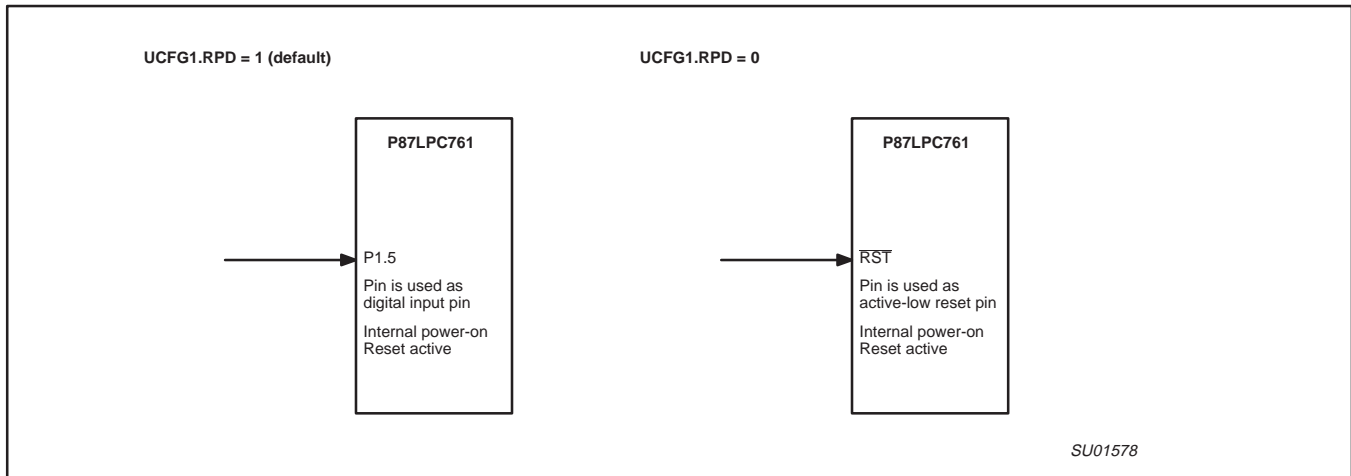


Figure 20. Using pin P1.5 as general purpose input pin or as low-active reset pin

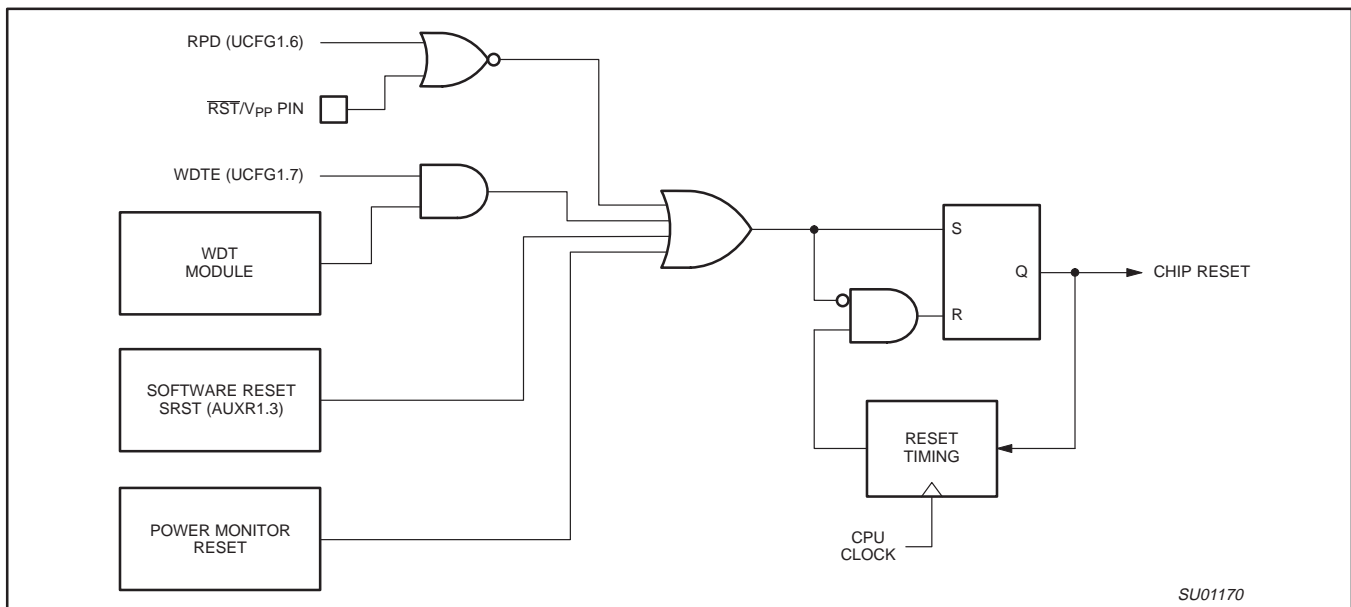


Figure 21. Block Diagram Showing Reset Sources

# Low power, low price, low pin count (16 pin) microcontroller with 2 kbyte OTP

## P87LPC761

### Timer/Counters

The P87LPC761 has two general purpose counter/timers which are upward compatible with the standard 80C51 Timer 0 and Timer 1. Both can be configured to operate as timers or can be configured to be an event counter (see Figure 22). An option to automatically toggle the T0 pin upon timer overflow has been added.

In the "Timer" function, the register is incremented every machine cycle. Thus, one can think of it as counting machine cycles. Since a machine cycle consists of 6 CPU clock periods, the count rate is 1/6 of the CPU clock frequency. Refer to the section Enhanced CPU for a description of the CPU clock.

In the "Counter" function of Timer 0, the register is incremented in response to a 1-to-0 transition at its corresponding external input pin, T0. In this function, the external input is sampled once during every machine cycle. When the samples of the pin state show a

high in one cycle and a low in the next cycle, the count is incremented. The new count value appears in the register during the cycle following the one in which the transition was detected. Since it takes 2 machine cycles (12 CPU clocks) to recognize a 1-to-0 transition, the maximum count rate is 1/6 of the CPU clock frequency. There are no restrictions on the duty cycle of the external input signal, but to ensure that a given level is sampled at least once before it changes, it should be held for at least one full machine cycle.

The "Timer" or "Counter" function of Timer 0 is selected by control bit C/T in the Special Function Register TMOD. In addition to the "Timer" or "Counter" selection, Timer 0 and Timer 1 have four operating modes, which are selected by bit-pairs (M1, M0) in TMOD. Modes 0, 1, and 2 are the same for both Timers/Counters. Mode 3 is different. The four operating modes are described in the following text.

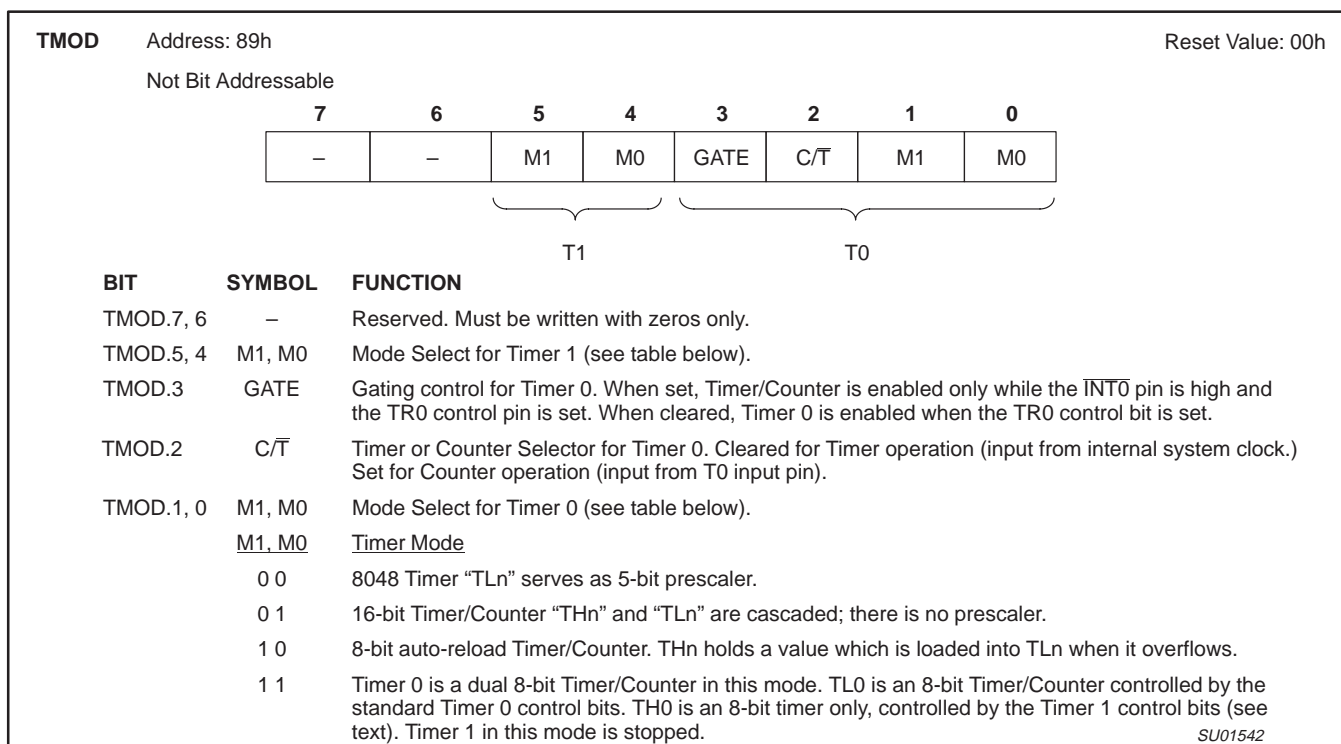


Figure 22. Timer/Counter Mode Control Register (TMOD)

# Low power, low price, low pin count (16 pin) microcontroller with 2 kbyte OTP

## P87LPC761

### Mode 0

Putting either Timer into Mode 0 makes it look like an 8048 Timer, which is an 8-bit Counter with a divide-by-32 prescaler. Figures 24 and 25 show Mode 0 operation.

In this mode, the Timer register is configured as a 13-bit register. As the count rolls over from all 1s to all 0s, it sets the Timer interrupt flag TF<sub>n</sub>. The count input is enabled to Timer 0 when TR0 = 1 and either GATE = 0 or INT0 = 1. (Setting GATE = 1 allows the Timer to be controlled by external input INT0, to facilitate pulse width

measurements). TR<sub>n</sub> is a control bit in the Special Function Register TCON (Figure 23). The GATE bit is in the TMOD register (TMOD.3).

The 13-bit register consists of all 8 bits of TH<sub>n</sub> and the lower 5 bits of TL<sub>n</sub>. The upper 3 bits of TL<sub>n</sub> are indeterminate and should be ignored. Setting the run flag (TR<sub>n</sub>) does not clear the registers.

Mode 0 operation is slightly different for Timer 0 and Timer 1. See Figures 24 and 25.

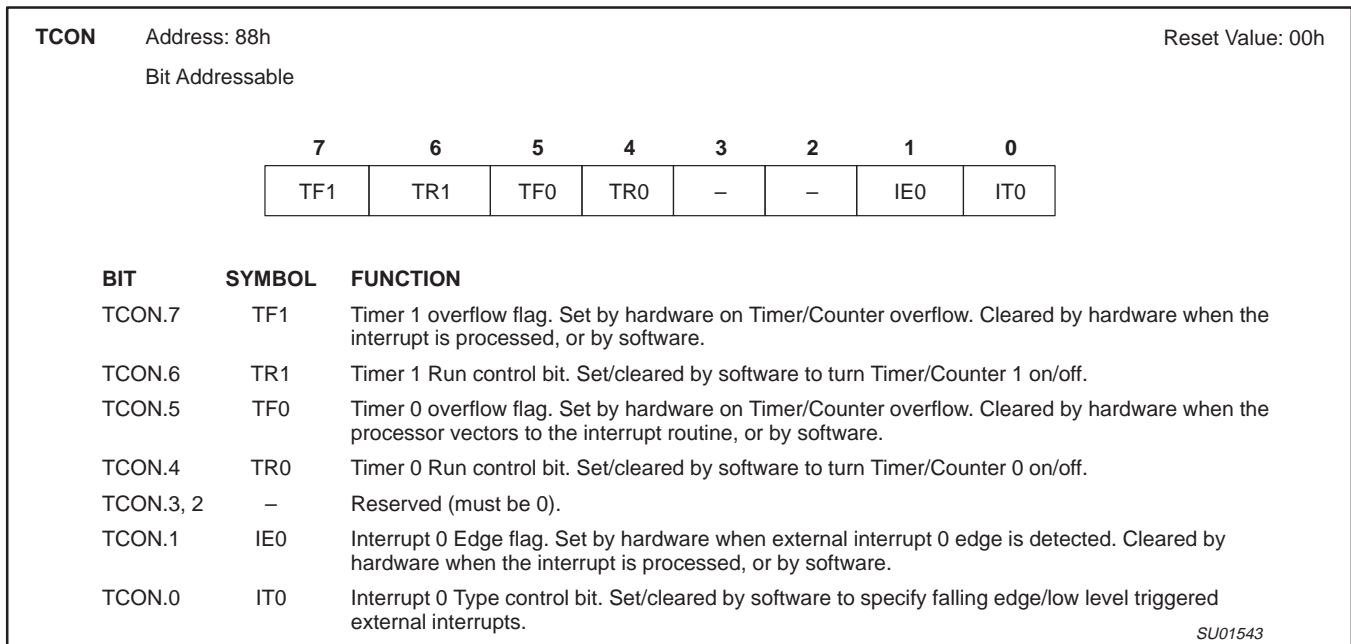


Figure 23. Timer/Counter Control Register (TCON)

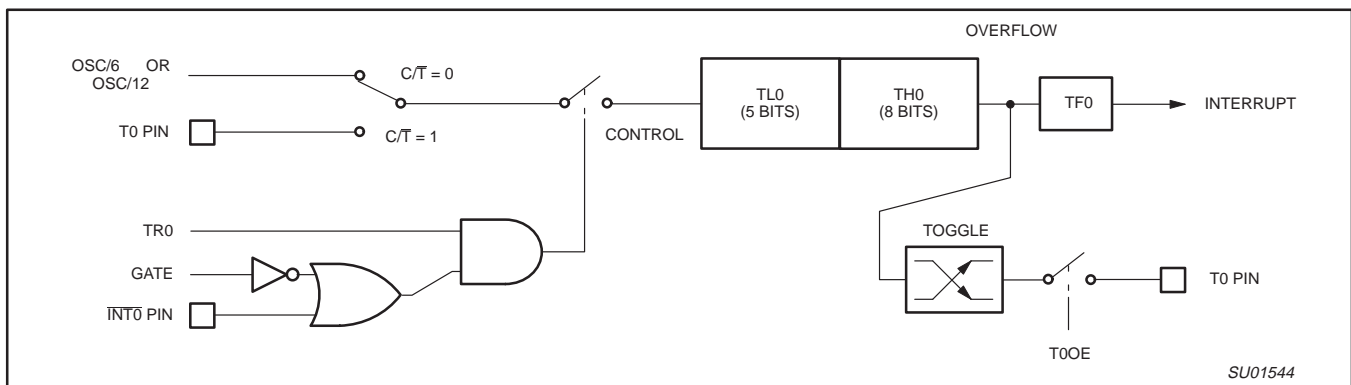


Figure 24. Timer/Counter 0 in Mode 0 (13-Bit Timer/Counter)



# Low power, low price, low pin count (16 pin) microcontroller with 2 kbyte OTP

## P87LPC761

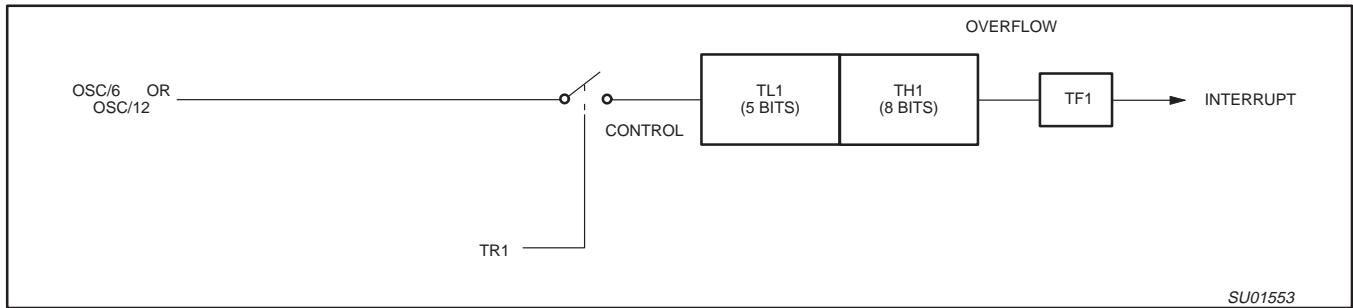


Figure 25. Timer 1 in Mode 0 (13-bit Timer)

### Mode 1

Mode 1 is the same as Mode 0, except that all 16 bits of the timer register (THn and TLn) are used. (See Figures 26 and 27)

### Mode 2

Mode 2 configures the Timer register as an 8-bit Counter (TLn) with automatic reload, as shown in Figures 28 and 29. Overflow from TLn not only sets TFn, but also reloads TLn with the contents of THn, which must be preset by software. The reload leaves THn unchanged. Mode 2 operation is slightly different for Timer 0 and Timer 1 (see Figures 28 and 29).

### Mode 3

When Timer 1 is in Mode 3 it is stopped. The effect is the same as setting TR1 = 0.

Timer 0 in Mode 3 establishes TL0 and TH0 as two separate 8-bit counters. The logic for Mode 3 on Timer 0 is shown in Figure 30. TL0 uses the Timer 0 control bits: C/T, GATE, TR0, and TF0 as well as the INT0 pin. TH0 is locked into a timer function (counting machine cycles) and takes over the use of TR1 and TF1 from Timer 1. Thus, TH0 now controls the "Timer 1" interrupt.

Mode 3 is provided for applications that require an extra 8-bit timer. With Timer 0 in Mode 3, an P87LPC761 can look like it has three Timer/Counters. When Timer 0 is in Mode 3, Timer 1 can be turned on and off by switching it into and out of its own Mode 3. It can still be used by the serial port as a baud rate generator, or in any application not requiring an interrupt.

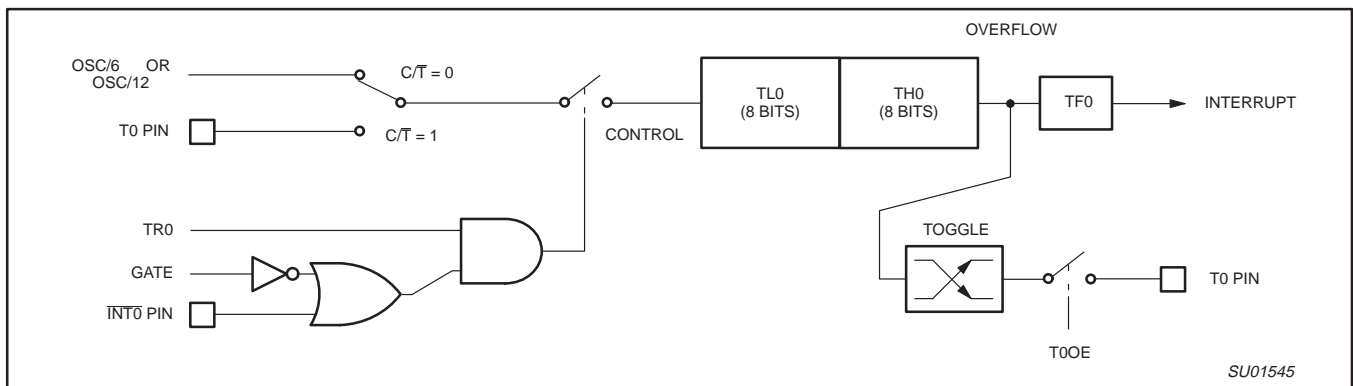


Figure 26. Timer/Counter 0 in Mode 1 (16-bit Timer/Counter)

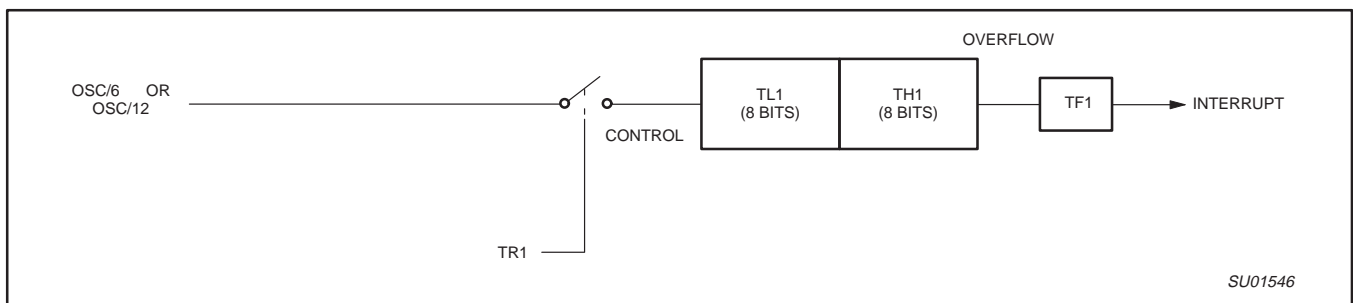


Figure 27. Timer 1 in Mode 1 (16-bit Timer)

Low power, low price, low pin count (16 pin)  
microcontroller with 2 kbyte OTP

P87LPC761

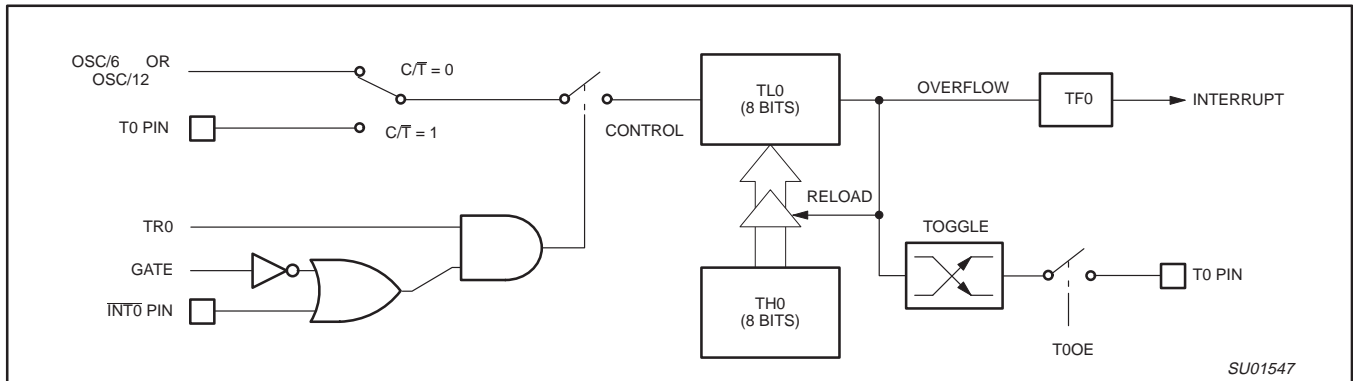


Figure 28. Timer/Counter 0 in Mode 2 (8-Bit Auto-Reload)

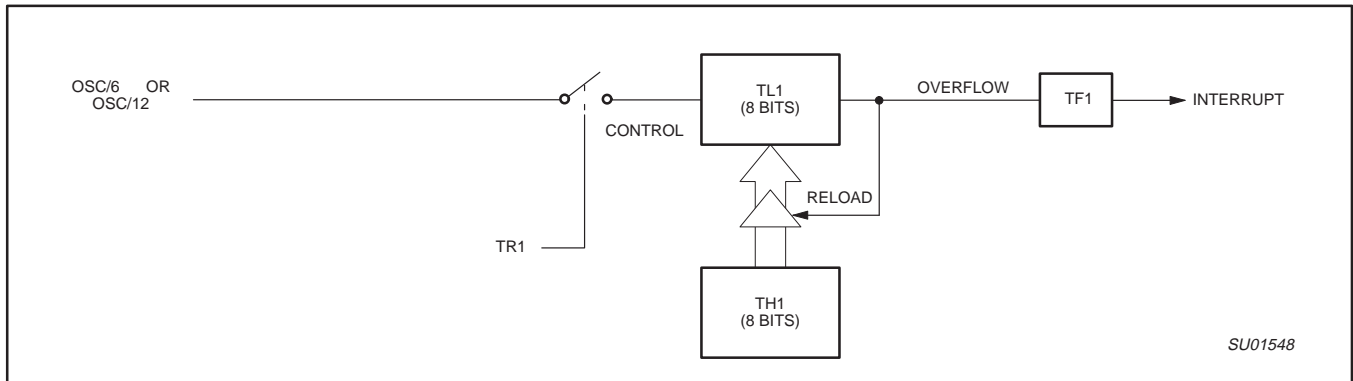


Figure 29. Timer 1 in Mode 2 (8-Bit Auto-Reload)

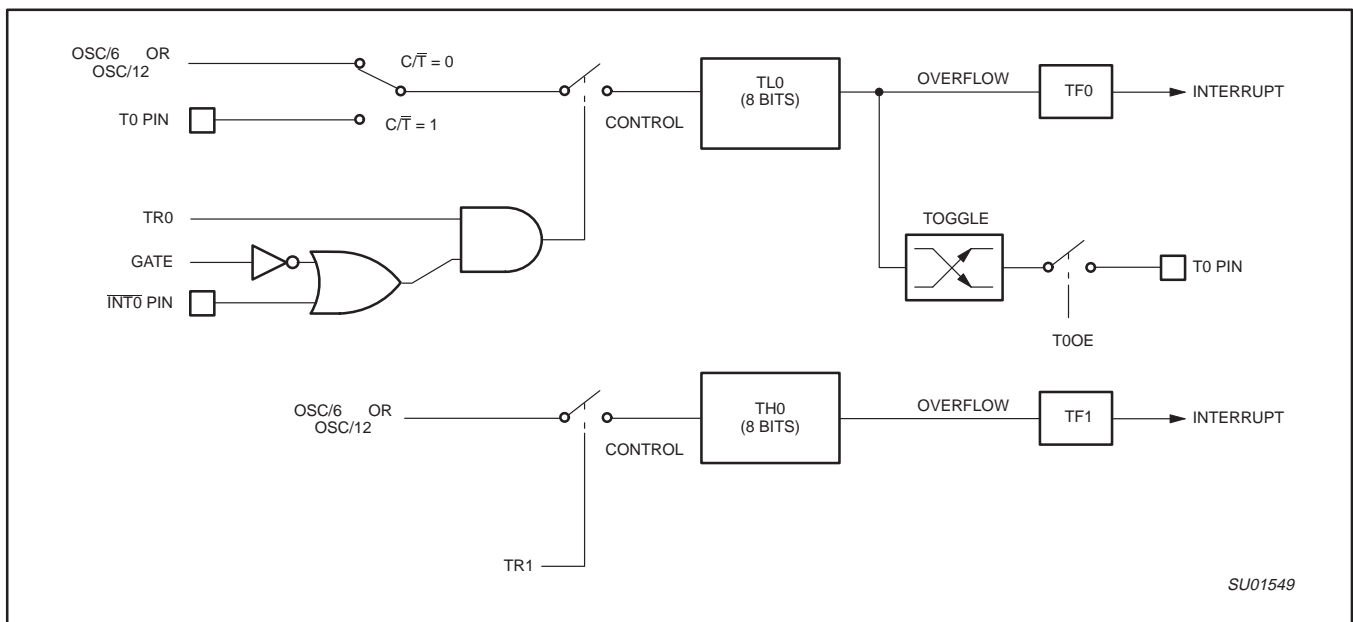


Figure 30. Timer/Counter 0 Mode 3 (Two 8-Bit Timer/Counters)

## Low power, low price, low pin count (16 pin) microcontroller with 2 kbyte OTP

# P87LPC761

### Timer Overflow Toggle Output

Timer 0 can be configured to automatically toggle a port output whenever a timer overflow occurs. The same device pins that is used for the T0 count inputs are also used for the timer toggle outputs. This function is enabled by control bit T0OE in the P2M1 register. The port outputs will be a logic 1 prior to the first timer overflow when this mode is turned on.

### UART

The P87LPC761 includes an enhanced 80C51 UART. The baud rate source for the UART is timer 1 for modes 1 and 3, while the rate is fixed in modes 0 and 2. Because CPU clocking is different on the P87LPC761 than on the standard 80C51, baud rate calculation is somewhat different. Enhancements over the standard 80C51 UART include Framing Error detection and automatic address recognition.

The serial port is full duplex, meaning it can transmit and receive simultaneously. It is also receive-buffered, meaning it can commence reception of a second byte before a previously received byte has been read from the SBUF register. However, if the first byte still hasn't been read by the time reception of the second byte is complete, the first byte will be lost. The serial port receive and transmit registers are both accessed through Special Function Register SBUF. Writing to SBUF loads the transmit register, and reading SBUF accesses a physically separate receive register.

The serial port can be operated in 4 modes:

#### Mode 0

Serial data enters and exits through RxD. TxD outputs the shift clock. 8 bits are transmitted or received, LSB first. The baud rate is fixed at 1/6 of the CPU clock frequency.

#### Mode 1

10 bits are transmitted (through TxD) or received (through RxD): a start bit (logical 0), 8 data bits (LSB first), and a stop bit (logical 1). When data is received, the stop bit is stored in RB8 in Special Function Register SCON. The baud rate is variable and is determined by the Timer 1 overflow rate.

#### Mode 2

11 bits are transmitted (through TxD) or received (through RxD): start bit (logical 0), 8 data bits (LSB first), a programmable 9th data bit, and a stop bit (logical 1). When data is transmitted, the 9th data bit (TB8 in SCON) can be assigned the value of 0 or 1. Or, for example, the parity bit (P, in the PSW) could be moved into TB8. When data is received, the 9th data bit goes into RB8 in Special Function Register SCON, while the stop bit is ignored. The baud rate is programmable to either 1/16 or 1/32 of the CPU clock frequency, as determined by the SMOD1 bit in PCON.

#### Mode 3

11 bits are transmitted (through TxD) or received (through RxD): a start bit (logical 0), 8 data bits (LSB first), a programmable 9th data bit, and a stop bit (logical 1). In fact, Mode 3 is the same as Mode 2 in all respects except baud rate. The baud rate in Mode 3 is variable and is determined by the Timer 1 overflow rate.

In all four modes, transmission is initiated by any instruction that uses SBUF as a destination register. Reception is initiated in Mode 0 by the condition RI = 0 and REN = 1. Reception is initiated in the other modes by the incoming start bit if REN = 1.

# Low power, low price, low pin count (16 pin) microcontroller with 2 kbyte OTP

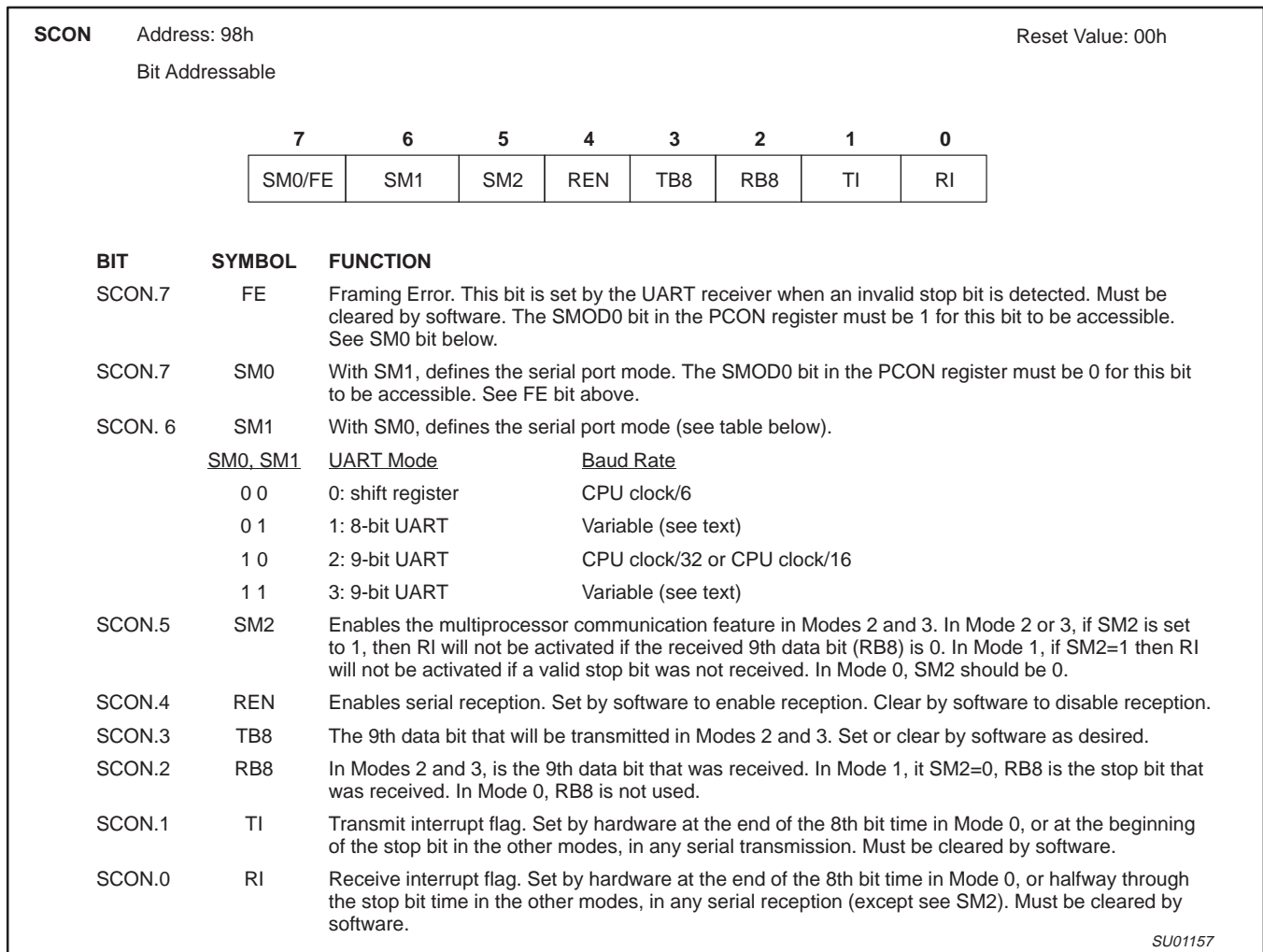
## P87LPC761

### Serial Port Control Register (SCON)

The serial port control and status register is the Special Function Register SCON, shown in Figure 31. This register contains not only the mode selection bits, but also the 9th data bit for transmit and receive (TB8 and RB8), and the serial port interrupt bits (TI and RI).

The Framing Error bit (FE) allows detection of missing stop bits in the received data stream. The FE bit shares the bit position SCON.7

with the SM0 bit. Which bit appears in SCON at any particular time is determined by the SMOD0 bit in the PCON register. If SMOD0 = 0, SCON.7 is the SM0 bit. If SMOD0 = 1, SCON.7 is the FE bit. Once set, the FE bit remains set until it is cleared by software. This allows detection of framing errors for a group of characters without the need for monitoring it for every character individually.



SU01157

Figure 31. Serial Port Control Register (SCON)

# Low power, low price, low pin count (16 pin) microcontroller with 2 kbyte OTP

## P87LPC761

### Baud Rates

The baud rate in Mode 0 is fixed: Mode 0 Baud Rate = CPU clock/6. The baud rate in Mode 2 depends on the value of bit SMOD1 in Special Function Register PCON. If SMOD1 = 0 (which is the value on reset), the baud rate is 1/32 of the CPU clock frequency. If SMOD1 = 1, the baud rate is 1/16 of the CPU clock frequency.

$$\text{Mode 2 Baud Rate} = \frac{1 + \text{SMOD1}}{32} \times \text{CPU clock frequency}$$

application. The Timer itself can be configured for either "timer" or "counter" operation, and in any of its 3 running modes. In the most typical applications, it is configured for "timer" operation, in the auto-reload mode (high nibble of TMOD = 0010b). In that case the baud rate is given by the formula:

$$\text{Mode 1, 3 Baud Rate} = \frac{\text{CPU clock frequency} / 192 \text{ (or 96 if SMOD1 = 1)}}{256 - (\text{TH1})}$$

### Using Timer 1 to Generate Baud Rates

When Timer 1 is used as the baud rate generator, the baud rates in Modes 1 and 3 are determined by the Timer 1 overflow rate and the value of SMOD1. The Timer 1 interrupt should be disabled in this

Tables 9 and 10 list various commonly used baud rates and how they can be obtained using Timer 1 as the baud rate generator.

**Table 9. Baud Rates, Timer Values, and CPU Clock Frequencies for SMOD1 = 0**

Timer Count	Baud Rate					
	2400	4800	9600	19.2k	38.4k	57.6k
-1	0.4608	0.9216	* 1.8432	* 3.6864	* 7.3728	* 11.0592
-2	0.9216	1.8432	* 3.6864	* 7.3728	* 14.7456	
-3	1.3824	2.7648	5.5296	* 11.0592	–	–
-4	* 1.8432	* 3.6864	* 7.3728	* 14.7456	–	–
-5	2.3040	4.6080	9.2160	* 18.4320	–	–
-6	2.7648	5.5296	* 11.0592	–	–	–
-7	3.2256	6.4512	12.9024	–	–	–
-8	* 3.6864	* 7.3728	* 14.7456	–	–	–
-9	4.1472	8.2944	16.5888	–	–	–
-10	4.6080	9.2160	* 18.4320	–	–	–

Low power, low price, low pin count (16 pin)  
microcontroller with 2 kbyte OTP

## P87LPC761

Table 10. Baud Rates, Timer Values, and CPU Clock Frequencies for SMOD1 = 1

Timer Count	Baud Rate						
	2400	4800	9600	19.2 k	38.4 k	57.6 k	115.2 k
-1	0.2304	0.4608	0.9216	* 1.8432	* 3.6864	5.5296	* 11.0592
-2	0.4608	0.9216	* 1.8432	* 3.6864	* 7.3728	* 11.0592	–
-3	0.6912	1.3824	2.7648	5.5296	* 11.0592	16.5888	–
-4	0.9216	* 1.8432	* 3.6864	* 7.3728	* 14.7456	–	–
-5	1.1520	2.3040	4.6080	9.2160	* 18.4320	–	–
-6	1.3824	2.7648	5.5296	* 11.0592	–	–	–
-7	1.6128	3.2256	6.4512	12.9024	–	–	–
-8	* 1.8432	* 3.6864	* 7.3728	* 14.7456	–	–	–
-9	2.0736	4.1472	8.2944	16.5888	–	–	–
-10	2.3040	4.6080	9.2160	* 18.4320	–	–	–
-11	2.5344	5.0688	10.1376	–	–	–	–
-12	2.7648	5.5296	* 11.0592	–	–	–	–
-13	2.9952	5.9904	11.9808	–	–	–	–
-14	3.2256	6.4512	12.9024	–	–	–	–
-15	3.4560	6.9120	13.8240	–	–	–	–
-16	* 3.6864	* 7.3728	* 14.7456	–	–	–	–
-17	3.9168	7.8336	15.6672	–	–	–	–
-18	4.1472	8.2944	16.5888	–	–	–	–
-19	4.3776	8.7552	17.5104	–	–	–	–
-20	4.6080	9.2160	* 18.4320	–	–	–	–
-21	4.8384	9.6768	19.3536	–	–	–	–

## NOTES TO TABLES 9 AND 10:

1. Tables 9 and 10 apply to UART modes 1 and 3 (variable rate modes), and show CPU clock rates in MHz for standard baud rates from 2400 to 115.2k baud.
2. Table 9 shows timer settings and CPU clock rates with the SMOD1 bit in the PCON register = 0 (the default after reset), while Table 10 reflects the SMOD1 bit = 1.
3. The tables show all potential CPU clock frequencies up to 20 MHz that may be used for baud rates from 9600 baud to 115.2 k baud. Other CPU clock frequencies that would give only lower baud rates are not shown.
4. Table entries marked with an asterisk (\*) indicate standard crystal and ceramic resonator frequencies that may be obtained from many sources without special ordering.

## Low power, low price, low pin count (16 pin) microcontroller with 2 kbyte OTP

## P87LPC761

### More About UART Mode 0

Serial data enters and exits through RxD. TxD outputs the shift clock. 8 bits are transmitted/received: 8 data bits (LSB first). The baud rate is fixed at 1/6 the CPU clock frequency. Figure 32 shows a simplified functional diagram of the serial port in Mode 0, and associated timing.

Transmission is initiated by any instruction that uses SBUF as a destination register. The "write to SBUF" signal at S6P2 also loads a 1 into the 9th position of the transmit shift register and tells the TX Control block to commence a transmission. The internal timing is such that one full machine cycle will elapse between "write to SBUF" and activation of SEND.

SEND enables the output of the shift register to the alternate output function line of P1.1 and also enable SHIFT CLOCK to the alternate output function line of P1.0. SHIFT CLOCK is low during S3, S4, and S5 of every machine cycle, and high during S6, S1, and S2. At S6P2 of every machine cycle in which SEND is active, the contents of the transmit shift are shifted to the right one position.

As data bits shift out to the right, zeros come in from the left. When the MSB of the data byte is at the output position of the shift register, then the 1 that was initially loaded into the 9th position, is just to the left of the MSB, and all positions to the left of that contain zeros. This condition flags the TX Control block to do one last shift and then deactivate SEND and set T1. Both of these actions occur at S1P1 of the 10th machine cycle after "write to SBUF." Reception is initiated by the condition REN = 1 and R1 = 0. At S6P2 of the next machine cycle, the RX Control unit writes the bits 11111110 to the receive shift register, and in the next clock phase activates RECEIVE.

RECEIVE enable SHIFT CLOCK to the alternate output function line of P1.0. SHIFT CLOCK makes transitions at S3P1 and S6P1 of every machine cycle. At S6P2 of every machine cycle in which RECEIVE is active, the contents of the receive shift register are shifted to the left one position. The value that comes in from the right is the value that was sampled at the P1.1 pin at S5P2 of the same machine cycle.

As data bits come in from the right, 1s shift out to the left. When the 0 that was initially loaded into the rightmost position arrives at the leftmost position in the shift register, it flags the RX Control block to do one last shift and load SBUF. At S1P1 of the 10th machine cycle after the write to SCON that cleared RI, RECEIVE is cleared as RI is set.

### More About UART Mode 1

Ten bits are transmitted (through TxD), or received (through RxD): a start bit (0), 8 data bits (LSB first), and a stop bit (1). On receive, the stop bit goes into RB8 in SCON. In the P87LPC761 the baud rate is determined by the Timer 1 overflow rate. Figure 33 shows a simplified functional diagram of the serial port in Mode 1, and associated timings for transmit receive.

Transmission is initiated by any instruction that uses SBUF as a destination register. The "write to SBUF" signal also loads a 1 into the 9th bit position of the transmit shift register and flags the TX Control unit that a transmission is requested. Transmission actually commences at S1P1 of the machine cycle following the next rollover in the divide-by-16 counter. (Thus, the bit times are synchronized to the divide-by-16 counter, not to the "write to SBUF" signal.)

The transmission begins with activation of SEND which puts the start bit at TxD. One bit time later, DATA is activated, which enables the output bit of the transmit shift register to TxD. The first shift pulse occurs one bit time after that.

As data bits shift out to the right, zeros are clocked in from the left. When the MSB of the data byte is at the output position of the shift register, then the 1 that was initially loaded into the 9th position is just to the left of the MSB, and all positions to the left of that contain zeros. This condition flags the TX Control unit to do one last shift and then deactivate SEND and set T1. This occurs at the 10th divide-by-16 rollover after "write to SBUF."

Reception is initiated by a detected 1-to-0 transition at RxD. For this purpose RxD is sampled at a rate of 16 times whatever baud rate has been established. When a transition is detected, the divide-by-16 counter is immediately reset, and 1FFH is written into the input shift register. Resetting the divide-by-16 counter aligns its rollovers with the boundaries of the incoming bit times.

The 16 states of the counter divide each bit time into 16ths. At the 7th, 8th, and 9th counter states of each bit time, the bit detector samples the value of RxD. The value accepted is the value that was seen in at least 2 of the 3 samples. This is done for noise rejection. If the value accepted during the first bit time is not 0, the receive circuits are reset and the unit goes back to looking for another 1-to-0 transition. This is to provide rejection of false start bits. If the start bit proves valid, it is shifted into the input shift register, and reception of the rest of the frame will proceed.

As data bits come in from the right, 1s shift out to the left. When the start bit arrives at the leftmost position in the shift register (which in mode 1 is a 9-bit register), it flags the RX Control block to do one last shift, load SBUF and RB8, and set RI. The signal to load SBUF and RB8, and to set RI, will be generated if, and only if, the following conditions are met at the time the final shift pulse is generated.: 1. R1 = 0, and 2. Either SM2 = 0, or the received stop bit = 1.

If either of these two conditions is not met, the received frame is irretrievably lost. If both conditions are met, the stop bit goes into RB8, the 8 data bits go into SBUF, and RI is activated. At this time, whether the above conditions are met or not, the unit goes back to looking for a 1-to-0 transition in RxD.

# Low power, low price, low pin count (16 pin) microcontroller with 2 kbyte OTP

## P87LPC761

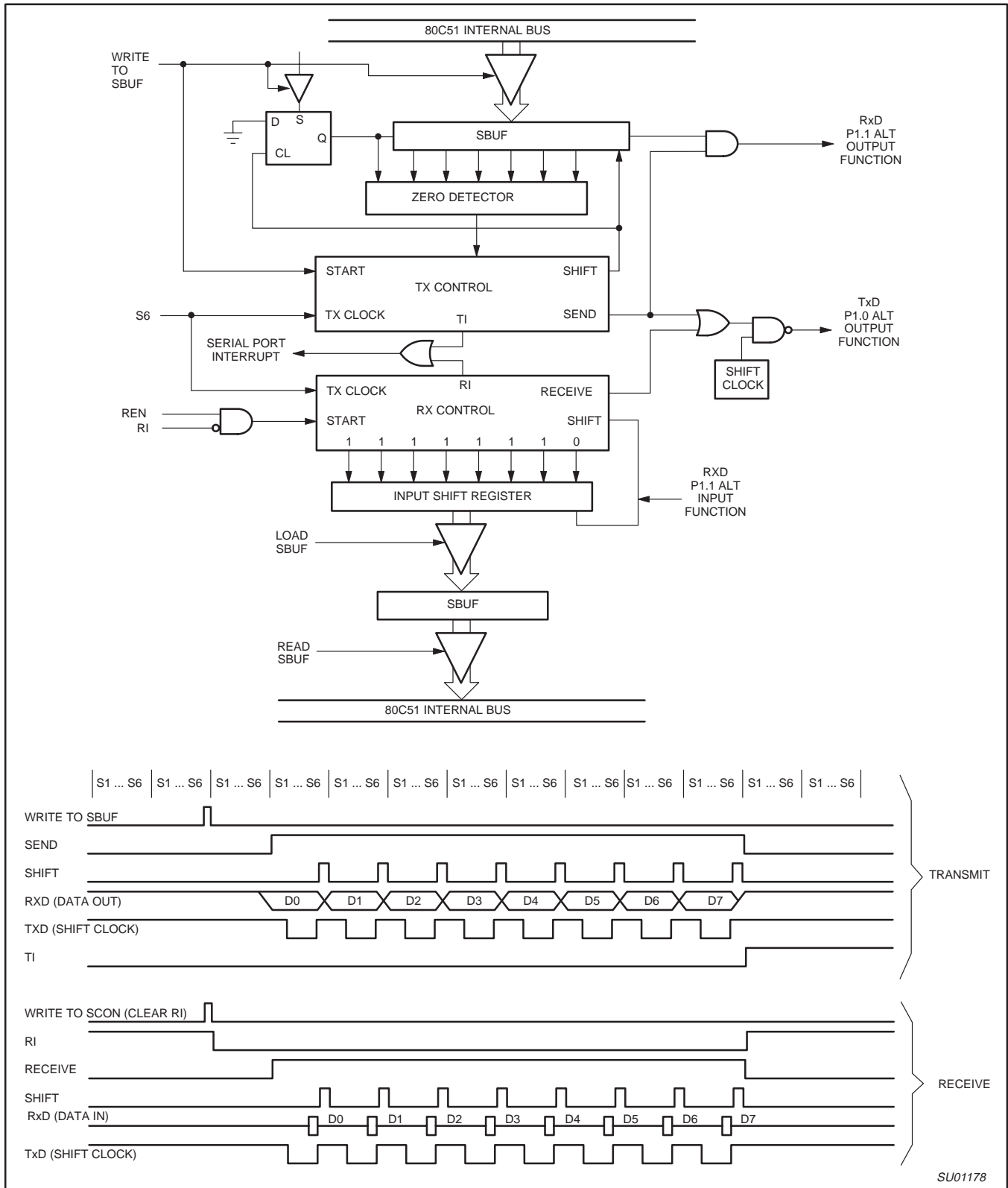


Figure 32. Serial Port Mode 0

SU01178



# Low power, low price, low pin count (16 pin) microcontroller with 2 kbyte OTP

P87LPC761

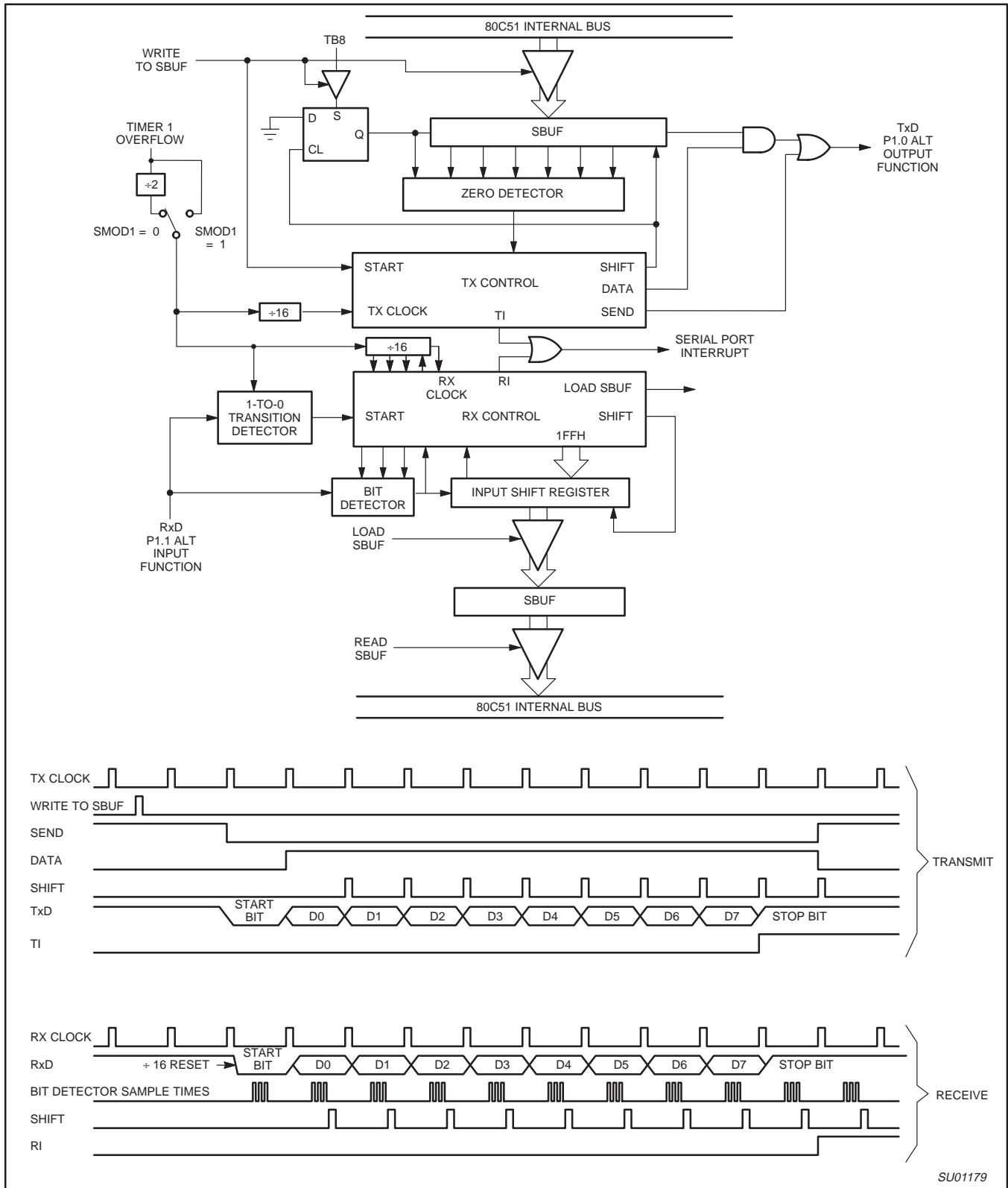


Figure 33. Serial Port Mode 1

SU01179

## Low power, low price, low pin count (16 pin) microcontroller with 2 kbyte OTP

# P87LPC761

### More About UART Modes 2 and 3

Eleven bits are transmitted (through TxD), or received (through RxD): a start bit (0), 8 data bits (LSB first), a programmable 9th data bit, and a stop bit (1). On transmit, the 9th data bit (TB8) can be assigned the value of 0 or 1. On receive, the 9th data bit goes into RB8 in SCON. The baud rate is programmable to either 1/16 or 1/32 of the CPU clock frequency in Mode 2. Mode 3 may have a variable baud rate generated from Timer 1.

Figures 34 and 35 show a functional diagram of the serial port in Modes 2 and 3. The receive portion is exactly the same as in Mode 1. The transmit portion differs from Mode 1 only in the 9th bit of the transmit shift register.

Transmission is initiated by any instruction that uses SBUF as a destination register. The "write to SBUF" signal also loads TB8 into the 9th bit position of the transmit shift register and flags the TX Control unit that a transmission is requested. Transmission commences at S1P1 of the machine cycle following the next rollover in the divide-by-16 counter. (Thus, the bit times are synchronized to the divide-by-16 counter, not to the "write to SBUF" signal.)

The transmission begins with activation of SEND, which puts the start bit at TxD. One bit time later, DATA is activated, which enables the output bit of the transmit shift register to TxD. The first shift pulse occurs one bit time after that. The first shift clocks a 1 (the stop bit) into the 9th bit position of the shift register. Thereafter, only zeros are clocked in. Thus, as data bits shift out to the right, zeros are clocked in from the left. When TB8 is at the output position of the shift register, then the stop bit is just to the left of TB8, and all positions to the left of that contain zeros. This condition flags the TX Control unit to do one last shift and then deactivate SEND and set TI. This occurs at the 11th divide-by-16 rollover after "write to SBUF."

Reception is initiated by a detected 1-to-0 transition at RxD. For this purpose RxD is sampled at a rate of 16 times whatever baud rate has been established. When a transition is detected, the divide-by-16 counter is immediately reset, and 1FFH is written to the input shift register.

At the 7th, 8th, and 9th counter states of each bit time, the bit detector samples the value of R-D. The value accepted is the value that was seen in at least 2 of the 3 samples. If the value accepted during the first bit time is not 0, the receive circuits are reset and the unit goes back to looking for another 1-to-0 transition. If the start bit

proves valid, it is shifted into the input shift register, and reception of the rest of the frame will proceed.

As data bits come in from the right, 1s shift out to the left. When the start bit arrives at the leftmost position in the shift register (which in Modes 2 and 3 is a 9-bit register), it flags the RX Control block to do one last shift, load SBUF and RB8, and set RI.

The signal to load SBUF and RB8, and to set RI, will be generated if, and only if, the following conditions are met at the time the final shift pulse is generated. 1. RI = 0, and 2. Either SM2 = 0, or the received 9th data bit = 1.

If either of these conditions is not met, the received frame is irretrievably lost, and RI is not set. If both conditions are met, the received 9th data bit goes into RB8, and the first 8 data bits go into SBUF. One bit time later, whether the above conditions were met or not, the unit goes back to looking for a 1-to-0 transition at the RxD input.

### Multiprocessor Communications

UART modes 2 and 3 have a special provision for multiprocessor communications. In these modes, 9 data bits are received or transmitted. When data is received, the 9th bit is stored in RB8. The UART can be programmed such that when the stop bit is received, the serial port interrupt will be activated only if RB8 = 1. This feature is enabled by setting bit SM2 in SCON. One way to use this feature in multiprocessor systems is as follows:

When the master processor wants to transmit a block of data to one of several slaves, it first sends out an address byte which identifies the target slave. An address byte differs from a data byte in that the 9th bit is 1 in an address byte and 0 in a data byte. With SM2 = 1, no slave will be interrupted by a data byte. An address byte, however, will interrupt all slaves, so that each slave can examine the received byte and see if it is being addressed. The addressed slave will clear its SM2 bit and prepare to receive the data bytes that follow. The slaves that weren't being addressed leave their SM2 bits set and go on about their business, ignoring the subsequent data bytes.

SM2 has no effect in Mode 0, and in Mode 1 can be used to check the validity of the stop bit, although this is better done with the Framing Error flag. In a Mode 1 reception, if SM2 = 1, the receive interrupt will not be activated unless a valid stop bit is received.



# Low power, low price, low pin count (16 pin) microcontroller with 2 kbyte OTP

## P87LPC761

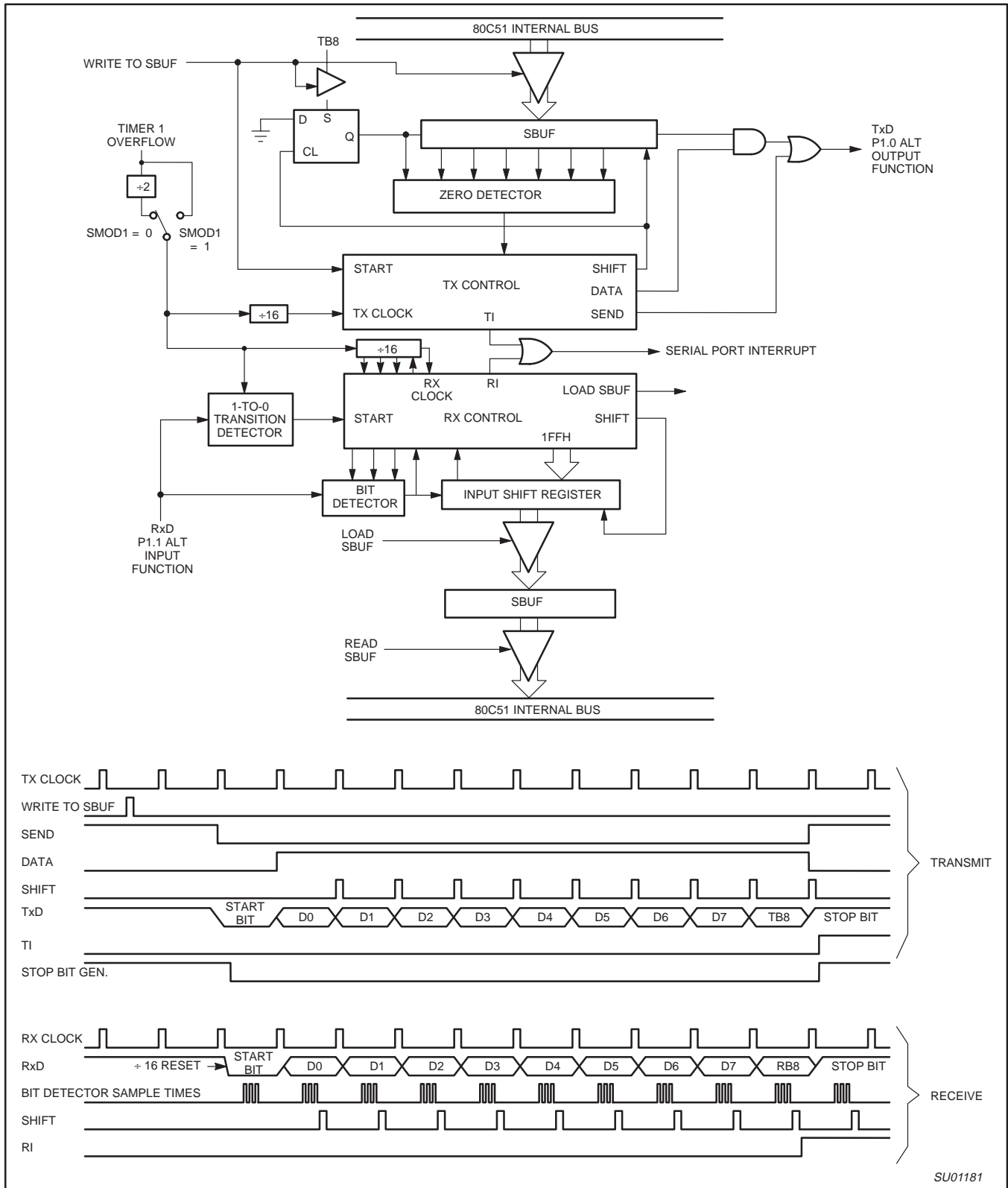


Figure 35. Serial Port Mode 3

## Low power, low price, low pin count (16 pin) microcontroller with 2 kbyte OTP

P87LPC761

### Automatic Address Recognition

Automatic Address Recognition is a feature which allows the UART to recognize certain addresses in the serial bit stream by using hardware to make the comparisons. This feature saves a great deal of software overhead by eliminating the need for the software to examine every serial address which passes by the serial port. This feature is enabled by setting the SM2 bit in SCON. In the 9 bit UART modes, mode 2 and mode 3, the Receive Interrupt flag (RI) will be automatically set when the received byte contains either the "Given" address or the "Broadcast" address. The 9 bit mode requires that the 9th information bit is a 1 to indicate that the received information is an address and not data.

Using the Automatic Address Recognition feature allows a master to selectively communicate with one or more slaves by invoking the Given slave address or addresses. All of the slaves may be contacted by using the Broadcast address. Two special Function Registers are used to define the slave's address, SADDR, and the address mask, SADEN. SADEN is used to define which bits in the SADDR are to be used and which bits are "don't care". The SADEN mask can be logically ANDed with the SADDR to create the "Given" address which the master will use for addressing each of the slaves. Use of the Given address allows multiple slaves to be recognized while excluding others. The following examples will help to show the versatility of this scheme:

```
Slave 0  SADDR = 1100 0000
         SADEN = 1111 1101
         Given  = 1100 00X0
```

```
Slave 1  SADDR = 1100 0000
         SADEN = 1111 1110
         Given  = 1100 000X
```

In the above example SADDR is the same and the SADEN data is used to differentiate between the two slaves. Slave 0 requires a 0 in bit 0 and it ignores bit 1. Slave 1 requires a 0 in bit 1 and bit 0 is ignored. A unique address for Slave 0 would be 1100 0010 since slave 1 requires a 0 in bit 1. A unique address for slave 1 would be 1100 0001 since a 1 in bit 0 will exclude slave 0. Both slaves can be selected at the same time by an address which has bit 0 = 0 (for slave 0) and bit 1 = 0 (for slave 1). Thus, both could be addressed with 1100 0000.

In a more complex system the following could be used to select slaves 1 and 2 while excluding slave 0:

```
Slave 0  SADDR = 1100 0000
         SADEN = 1111 1001
         Given  = 1100 0XX0
```

```
Slave 1  SADDR = 1110 0000
         SADEN = 1111 1010
         Given  = 1110 0XX0
```

```
Slave 2  SADDR = 1110 0000
         SADEN = 1111 1100
         Given  = 1110 00XX
```

In the above example the differentiation among the 3 slaves is in the lower 3 address bits. Slave 0 requires that bit 0 = 0 and it can be uniquely addressed by 1110 0110. Slave 1 requires that bit 1 = 0 and it can be uniquely addressed by 1110 and 0101. Slave 2 requires that bit 2 = 0 and its unique address is 1110 0011. To select Slaves 0 and 1 and exclude Slave 2 use address 1110 0100, since it is necessary to make bit 2 = 1 to exclude slave 2. The Broadcast Address for each slave is created by taking the logical OR of SADDR and SADEN. Zeros in this result are treated as don't-cares. In most cases, interpreting the don't-cares as ones, the broadcast address

will be FF hexadecimal. Upon reset SADDR and SADEN are loaded with 0s. This produces a given address of all "don't cares" as well as a Broadcast address of all "don't cares". This effectively disables the Automatic Addressing mode and allows the microcontroller to use standard UART drivers which do not make use of this feature.

### Watchdog Timer

When enabled via the WDTE configuration bit, the watchdog timer is operated from an independent, fully on-chip oscillator in order to provide the greatest possible dependability. When the watchdog feature is enabled, the timer must be fed regularly by software in order to prevent it from resetting the CPU, and it **cannot** be turned off. When disabled as a watchdog timer (via the WDTE bit in the UCFG1 configuration register), it may be used as an interval timer and may generate an interrupt. The watchdog timer is shown in Figure 36.

The watchdog timeout time is selectable from one of eight values, nominal times range from 25 milliseconds to 3.2 seconds. The frequency tolerance of the independent watchdog RC oscillator is  $\pm 37\%$ . The timeout selections and other control bits are shown in Figure 37. When the watchdog function is enabled, the WDCON register may be written once during chip initialization in order to set the watchdog timeout time. The recommended method of initializing the WDCON register is to first feed the watchdog, then write to WDCON to configure the WDS2–0 bits. Using this method, the watchdog initialization may be done any time within 10 milliseconds after startup without a watchdog overflow occurring before the initialization can be completed.

Since the watchdog timer oscillator is fully on-chip and independent of any external oscillator circuit used by the CPU, it intrinsically serves as an oscillator fail detection function. If the watchdog feature is enabled and the CPU oscillator fails for any reason, the watchdog timer will time out and reset the CPU.

When the watchdog function is enabled, the timer is deactivated temporarily when a chip reset occurs from another source, such as a power on reset, brownout reset, or external reset.

### Watchdog Feed Sequence

If the watchdog timer is running, it must be fed before it times out in order to prevent a chip reset from occurring. The watchdog feed sequence consists of first writing the value 1Eh, then the value E1h to the WDRST register. An example of a watchdog feed sequence is shown below.

```
WDFeed:
    mov  WDRST,#1eh ; First part of watchdog feed sequence.
    mov  WDRST,#0e1h ; Second part of watchdog feed sequence.
```

The two writes to WDRST do not have to occur in consecutive instructions. An incorrect watchdog feed sequence does not cause any immediate response from the watchdog timer, which will still time out at the originally scheduled time if a correct feed sequence does not occur prior to that time.

After a chip reset, the user program has a limited time in which to either feed the watchdog timer or change the timeout period. When a low CPU clock frequency is used in the application, the number of instructions that can be executed before the watchdog overflows may be quite small.

### Watchdog Reset

If a watchdog reset occurs, the internal reset is active for approximately one microsecond. If the CPU clock was still running, code execution will begin immediately after that. If the processor was in Power Down mode, the watchdog reset will start the oscillator and code execution will resume after the oscillator is stable.

Low power, low price, low pin count (16 pin)  
microcontroller with 2 kbyte OTP

P87LPC761

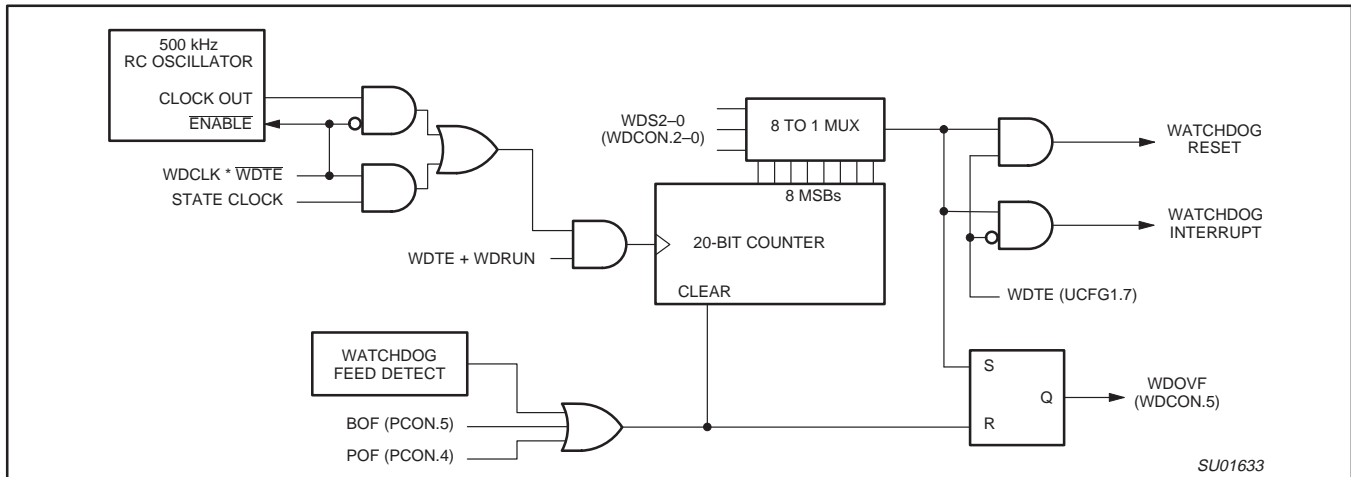


Figure 36. Block Diagram of the Watchdog Timer

**WDCON** Address: A7h Reset Value: • 30h for a watchdog reset.  
Not Bit Addressable • 10h for other reset sources if the watchdog is enabled via the WDTE configuration bit.  
• 00h for other reset sources if the watchdog is disabled via the WDTE configuration bit.

7	6	5	4	3	2	1	0
—	—	WDOVF	WDRUN	WDCLK	WDS2	WDS1	WDS0

BIT	SYMBOL	FUNCTION
WDCON.7, 6	—	Reserved for future use. Should not be set to 1 by user programs.
WDCON.5	WDOVF	Watchdog timer overflow flag. Set when a watchdog reset or timer overflow occurs. Cleared when the watchdog is fed.
WDCON.4	WDRUN	Watchdog run control. The watchdog timer is started when WDRUN = 1 and stopped when WDRUN = 0. This bit is forced to 1 (watchdog running) if the WDTE configuration bit = 1.
WDCON.3	WDCLK	Watchdog clock select. The watchdog timer is clocked by CPU clock/6 when WDCLK = 1 and by the watchdog RC oscillator when WDCLK = 0. This bit is forced to 0 (using the watchdog RC oscillator) if the WDTE configuration bit = 1.
WDCON.2-0	WDS2-0	Watchdog rate select.
	<u>WDS2-0</u>	<u>Timeout Clocks</u> <u>Minimum Time</u> <u>Nominal Time</u> <u>Maximum Time</u>
	0 0 0	8,192      10 ms      16 ms      23 ms
	0 0 1	16,384      20 ms      32 ms      45 ms
	0 1 0	32,768      41 ms      65 ms      90 ms
	0 1 1	65,536      82 ms      131 ms      180 ms
	1 0 0	131,072      165 ms      262 ms      360 ms
	1 0 1	262,144      330 ms      524 ms      719 ms
	1 1 0	524,288      660 ms      1.05 sec      1.44 sec
	1 1 1	1,048,576      1.3 sec      2.1 sec      2.9 sec

Figure 37. Watchdog Timer Control Register (WDCON)

# Low power, low price, low pin count (16 pin) microcontroller with 2 kbyte OTP

## P87LPC761

### Additional Features

The AUXR1 register contains several special purpose control bits that relate to several chip features. AUXR1 is described in Figure 38.

#### Software Reset

The SRST bit in AUXR1 allows software the opportunity to reset the processor completely, as if an external reset or watchdog reset had occurred. If a value is written to AUXR1 that contains a 1 at bit position 3, all SFRs will be initialized and execution will resume at program address 0000. Care should be taken when writing to AUXR1 to avoid accidental software resets.

#### Dual Data Pointers

The dual Data Pointer (DPTR) adds to the ways in which the processor can specify the address used with certain instructions. The DPS bit in the AUXR1 register selects one of the two Data Pointers. The DPTR that is not currently selected is not accessible to software unless the DPS bit is toggled.

Specific instructions affected by the Data Pointer selection are:

- INC DPTR Increments the Data Pointer by 1.
- JMP @A+DPTR Jump indirect relative to DPTR value.

- MOV DPTR, #data16 Load the Data Pointer with a 16-bit constant.
- MOVC A, @A+DPTR Move code byte relative to DPTR to the accumulator.
- MOVX A, @DPTR Move data byte the accumulator to data memory relative to DPTR.
- MOVX @DPTR, A Move data byte from data memory relative to DPTR to the accumulator.

Also, any instruction that reads or manipulates the DPH and DPL registers (the upper and lower bytes of the current DPTR) will be affected by the setting of DPS. The MOVX instructions have limited application for the P87LPC761 since the part does not have an external data bus. However, they may be used to access EPROM configuration information (see EPROM Characteristics section).

Bit 2 of AUXR1 is permanently wired as a logic 0. This is so that the DPS bit may be toggled (thereby switching Data Pointers) simply by incrementing the AUXR1 register, without the possibility of inadvertently altering other bits in the register.

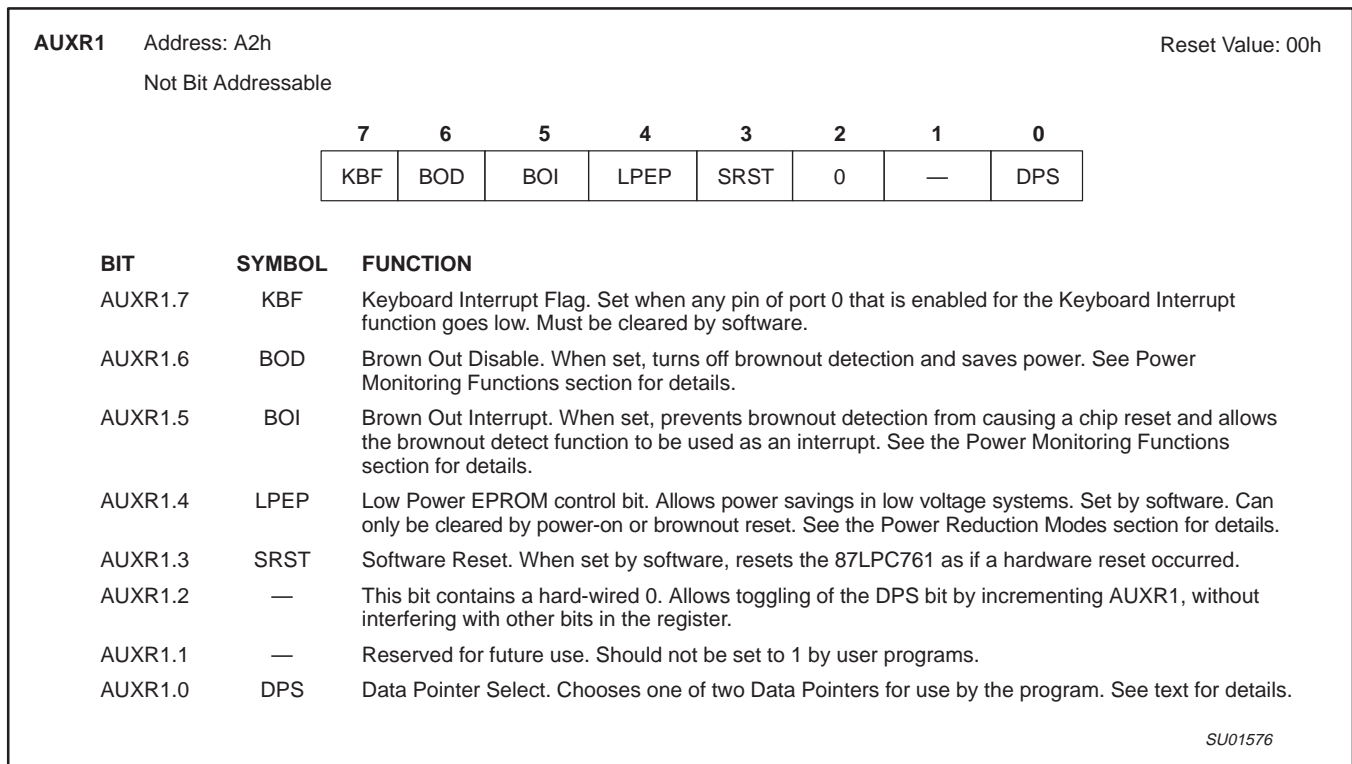


Figure 38. AUXR1 Register



# Low power, low price, low pin count (16 pin) microcontroller with 2 kbyte OTP

## P87LPC761

### EPROM Characteristics

Programming of the EPROM on the P87LPC761 is accomplished with a serial programming method. Commands, addresses, and data are transmitted to and from the device on two pins after programming mode is entered. Serial programming allows easy implementation of in-circuit programming of the P87LPC761 in an application board.

The P87LPC761 contains three signature bytes that can be read and used by an EPROM programming system to identify the device. The signature bytes designate the device as an P87LPC761 manufactured by Philips. The signature bytes may be read by the user program at addresses FC30h, FC31h and FC60h with the MOVC instruction, using the DPTR register for addressing.

A special user data area is also available for access via the MOVC instruction at addresses FCE0h through FCFFh. This "customer code" space is programmed in the same manner as the main code EPROM and may be used to store a serial number, manufacturing date, or other application information.

### 32-Byte Customer Code Space

A small supplemental EPROM space is reserved for use by the customer in order to identify code revisions, store checksums, add a serial number to each device, or any other desired use. This area exists in the code memory space from addresses FCE0h through FCFFh. Code execution from this space is not supported, but it may be read as data through the use of the MOVC instruction with the appropriate addresses. The memory may be programmed at the same time as the rest of the code memory and UCFG bytes are programmed.

### System Configuration Bytes

A number of user configurable features of the P87LPC761 must be defined at power up and therefore cannot be set by the program after start of execution. Those features are configured through the use of two EPROM bytes that are programmed in the same manner as the EPROM program space. The contents of the two configuration bytes, UCFG1 and UCFG2, are shown in Figures 39 and 40. The values of these bytes may be read by the program through the use of the MOVX instruction at the addresses shown in the figure.

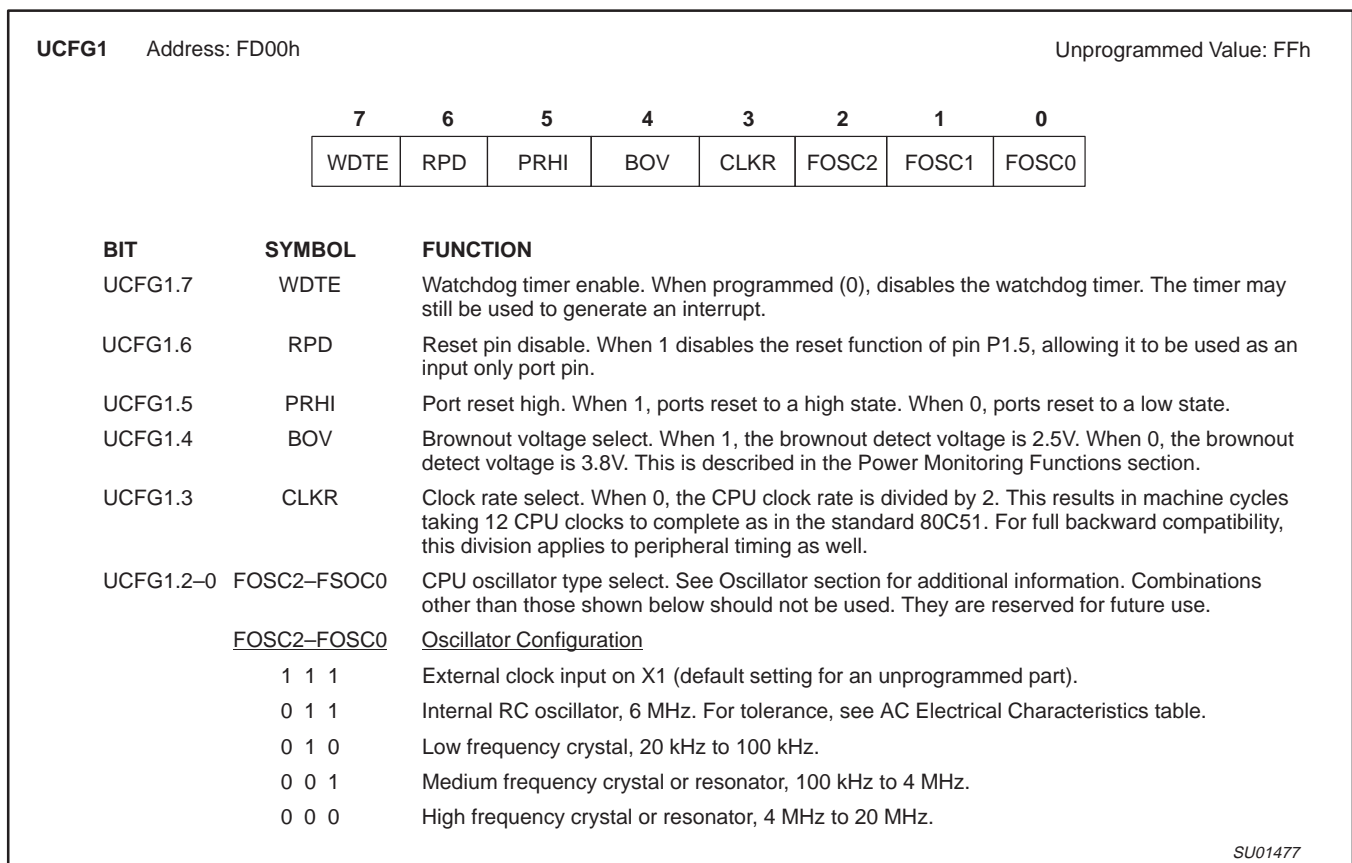


Figure 39. EPROM System Configuration Byte 1 (UCFG1)



Low power, low price, low pin count (16 pin) microcontroller with 2 kbyte OTP

P87LPC761

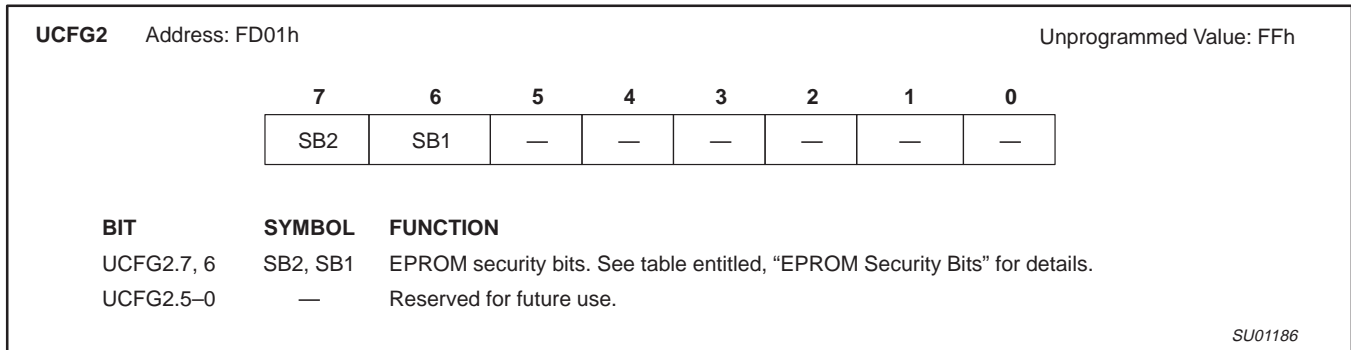


Figure 40. EPROM System Configuration Byte 2 (UCFG2)

**Security Bits**

When neither of the security bits are programmed, the code in the EPROM can be verified. When only security bit 1 is programmed, all further programming of the EPROM is disabled. At that point, only security bit 2 may still be programmed. When both security bits are programmed, EPROM verify is also disabled.

Table 11. EPROM Security Bits

SB2	SB1	Protection Description
1	1	Both security bits unprogrammed. No program security features enabled. EPROM is programmable and verifiable.
1	0	Only security bit 1 programmed. Further EPROM programming is disabled. Security bit 2 may still be programmed.
0	1	Only security bit 2 programmed. This combination is not supported.
0	0	Both security bits programmed. All EPROM verification and programming are disabled.

Low power, low price, low pin count (16 pin)  
microcontroller with 2 kbyte OTP

P87LPC761

**ABSOLUTE MAXIMUM RATINGS**

PARAMETER	RATING	UNIT
Operating temperature under bias	-55 to +125	°C
Storage temperature range	-65 to +150	°C
Voltage on $\overline{RST}/V_{PP}$ pin to $V_{SS}$	0 to +11.0	V
Voltage on any other pin to $V_{SS}$	-0.5 to $V_{DD}+0.5V$	V
Maximum $I_{OL}$ per I/O pin	20	mA
Power dissipation (based on package heat transfer, not device power consumption)	1.5	W

**NOTES:**

1. Stresses above those listed under Absolute Maximum Ratings may cause permanent damage to the device. This is a stress rating only and functional operation of the device at these or any conditions other than those described in the AC and DC Electrical Characteristics section of this specification are not implied.
2. This product includes circuitry specifically designed for the protection of its internal devices from the damaging effects of excessive static charge. Nonetheless, it is suggested that conventional precautions be taken to avoid applying greater than the rated maximum.
3. Parameters are valid over operating temperature range unless otherwise specified. All voltages are with respect to  $V_{SS}$  unless otherwise noted.

# Low power, low price, low pin count (16 pin) microcontroller with 2 kbyte OTP

P87LPC761

## DC ELECTRICAL CHARACTERISTICS

$V_{DD} = 2.7\text{ V}$  to  $6.0\text{ V}$  unless otherwise specified;  $T_{amb} = 0\text{ }^{\circ}\text{C}$  to  $+70\text{ }^{\circ}\text{C}$ , unless otherwise specified.

SYMBOL	PARAMETER	TEST CONDITIONS	LIMITS			UNIT
			MIN	TYP <sup>1,2</sup>	MAX	
I <sub>DD</sub>	Power supply current, operating	5.0 V, 20 MHz <sup>11</sup>	–	15	25	mA
		3.0 V, 10 MHz <sup>11</sup>	–	4	7	mA
I <sub>RC</sub>	Power supply current, operating RC Osc.	5.0 V, 6 MHz <sup>11</sup>	–	4	–	mA
		3.0 V, 6 MHz <sup>11</sup>	–	2	–	mA
I <sub>ID</sub>	Power supply current, Idle mode	5.0 V, 20 MHz <sup>11</sup>	–	6	10	mA
		3.0 V, 10 MHz <sup>11</sup>	–	2	4	mA
I <sub>PD</sub>	Power supply current, Power Down mode	5.0 V <sup>11</sup>	–	1	10	μA
		3.0 V <sup>11</sup>	–	1	5	μA
V <sub>RAM</sub>	RAM keep-alive voltage		1.5	–	–	V
V <sub>IL</sub>	Input low voltage (TTL input)	4.0 V < V <sub>DD</sub> < 6.0 V	–0.5	–	0.2 V <sub>DD</sub> –0.1	V
		2.7 V < V <sub>DD</sub> < 4.0 V	–0.5	–	0.7	V
V <sub>IL1</sub>	Negative going threshold (Schmitt input)		–0.5	–	0.3 V <sub>DD</sub>	V
V <sub>IH</sub>	Input high voltage (TTL input)		0.2 V <sub>DD</sub> +0.9	–	V <sub>DD</sub> +0.5	V
V <sub>IH1</sub>	Positive going threshold (Schmitt input)		0.7 V <sub>DD</sub>	–	V <sub>DD</sub> +0.5	V
HYS	Hysteresis voltage		–	0.2 V <sub>DD</sub>	–	V
V <sub>OL</sub>	Output low voltage all ports <sup>5, 9</sup>	I <sub>OL</sub> = 3.2 mA, V <sub>DD</sub> = 2.7 V	–	–	0.4	V
V <sub>OL1</sub>	Output low voltage all ports <sup>5, 9</sup>	I <sub>OL</sub> = 20 mA, V <sub>DD</sub> = 2.7 V	–	–	1.0	V
V <sub>OH</sub>	Output high voltage, all ports <sup>3</sup>	I <sub>OH</sub> = –20 μA, V <sub>DD</sub> = 2.7 V	V <sub>DD</sub> –0.7	–	–	V
		I <sub>OH</sub> = –30 μA, V <sub>DD</sub> = 4.5 V	V <sub>DD</sub> –0.7	–	–	V
V <sub>OH1</sub>	Output high voltage, all ports <sup>4</sup>	I <sub>OH</sub> = –1.0 mA, V <sub>DD</sub> = 2.7 V	V <sub>DD</sub> –0.7	–	–	V
C <sub>IO</sub>	Input/Output pin capacitance <sup>10</sup>		–	–	15	pF
I <sub>IL</sub>	Logical 0 input current, all ports <sup>8</sup>	V <sub>IN</sub> = 0.4 V	–	–	–50	μA
I <sub>LI</sub>	Input leakage current, all ports <sup>7</sup>	V <sub>IN</sub> = V <sub>IL</sub> or V <sub>IH</sub>	–	–	±2	μA
I <sub>TL</sub>	Logical 1 to 0 transition current, all ports <sup>3, 6</sup>	V <sub>IN</sub> = 1.5 V at V <sub>DD</sub> = 3.0 V	–30	–	–250	μA
		V <sub>IN</sub> = 2.0 V at V <sub>DD</sub> = 5.5 V	–150	–	–650	μA
R <sub>RST</sub>	Internal reset pull-up resistor		40	–	225	kΩ
V <sub>BOLOW</sub>	Brownout trip voltage with BOV = 1 <sup>12</sup>		2.35	–	2.69	V
V <sub>BOHI</sub>	Brownout trip voltage with BOV = 0		3.45	–	3.99	V
V <sub>REF</sub>	Reference voltage		1.11	1.26	1.41	V

### NOTES:

- Typical ratings are not guaranteed. The values listed are at room temperature, 5 V.
- See other Figures for details.
- Ports in quasi-bidirectional mode with weak pull-up (applies to all port pins with pull-ups). Does not apply to open drain pins.
- Ports in PUSH-PULL mode. Does not apply to open drain pins.
- In all output modes except high impedance mode.
- Port pins source a transition current when used in quasi-bidirectional mode and externally driven from 1 to 0. This current is highest when V<sub>IN</sub> is approximately 2 V.
- Measured with port in high impedance mode. Parameter is guaranteed but not tested at cold temperature.
- Measured with port in quasi-bidirectional mode.
- Under steady state (non-transient) conditions, I<sub>OL</sub> must be externally limited as follows:
 

Maximum I <sub>OL</sub> per port pin:	20 mA
Maximum total I <sub>OL</sub> for all outputs:	80 mA
Maximum total I <sub>OH</sub> for all outputs:	5 mA

If I<sub>OL</sub> exceeds the test condition, V<sub>OL</sub> may exceed the related specification. Pins are not guaranteed to sink current greater than the listed test conditions.
- Pin capacitance is characterized but not tested.
- The I<sub>DD</sub>, I<sub>ID</sub>, and I<sub>PD</sub> specifications are measured using an external clock with the following functions disabled: comparators, brownout detect, and watchdog timer. For V<sub>DD</sub> = 3 V, LPEP = 1. Refer to the appropriate figures on the following pages for additional current drawn by each of these functions and detailed graphs for other frequency and voltage combinations.
- Devices initially operating at V<sub>DD</sub> = 2.7 V or above, and at f<sub>OSC</sub> = 10 MHz or less, are guaranteed to continue to execute instructions correctly at the brownout trip point. Initial power-on operation below V<sub>DD</sub> = 2.7 V is not guaranteed.
- Devices initially operating at V<sub>DD</sub> = 4.0 V or above and at f<sub>OSC</sub> = 20 MHz or less are guaranteed to continue to execute instructions correctly at the brownout trip point. Initial power-on operation below V<sub>DD</sub> = 4.0 V and f<sub>OSC</sub> > 10 MHz is not guaranteed.

# Low power, low price, low pin count (16 pin) microcontroller with 2 kbyte OTP

P87LPC761

## COMPARATOR ELECTRICAL CHARACTERISTICS

$V_{DD} = 3.0\text{ V to }6.0\text{ V}$  unless otherwise specified;  $T_{amb} = 0\text{ }^{\circ}\text{C to }+70\text{ }^{\circ}\text{C}$ , unless otherwise specified.

SYMBOL	PARAMETER	TEST CONDITIONS	LIMITS			UNIT
			MIN	TYP	MAX	
$V_{IO}$	Offset voltage comparator inputs <sup>1</sup>		–	–	$\pm 10$	mV
$V_{CR}$	Common mode range comparator inputs		0	–	$V_{DD}-0.3$	V
CMRR	Common mode rejection ratio <sup>1</sup>		–	–	–50	dB
	Response time		–	250	500	ns
	Comparator enable to output valid		–	–	10	$\mu\text{s}$
$I_{IL}$	Input leakage current, comparator	$0 < V_{IN} < V_{DD}$	–	–	$\pm 10$	$\mu\text{A}$

### NOTE:

1. This parameter is guaranteed by characterization, but not tested in production.

## AC ELECTRICAL CHARACTERISTICS

$T_{amb} = 0\text{ }^{\circ}\text{C to }+70\text{ }^{\circ}\text{C}$ ,  $V_{DD} = 2.7\text{ V to }6.0\text{ V}$  unless otherwise specified;  $V_{SS} = 0\text{ V}$ <sup>1, 2, 3</sup>

SYMBOL	FIGURE	PARAMETER	LIMITS		UNIT	
			MIN	MAX		
<b>External Clock</b>						
$f_C$	42	Oscillator frequency ( $V_{DD} = 4.0\text{ V to }6.0\text{ V}$ )	0	20	MHz	
$f_C$	42	Oscillator frequency ( $V_{DD} = 2.7\text{ V to }6.0\text{ V}$ )	0	10	MHz	
$t_C$	42	Clock period and CPU timing cycle	$1/f_C$	–	ns	
$f_{CLCX}$	42	Clock low-time <sup>1</sup>	$f_{OSC} = 20\text{ MHz}$	20	–	ns
$f_{CLCX}$	42		$f_{OSC} = 10\text{ MHz}$	40	–	ns
$f_{CHCX}$	42	Clock high-time <sup>1</sup>	$f_{OSC} = 20\text{ MHz}$	20	–	ns
$f_{CHCX}$	42		$f_{OSC} = 10\text{ MHz}$	40	–	ns
<b>Internal RC Oscillator</b>						
$f_{CCAL}$		On-chip RC oscillator calibration <sup>2</sup>	$f_{RCOSC} = 6\text{ MHz}$	–1	+1	%
$f_{CTOL}$		On-chip RC oscillator, $0\text{ }^{\circ}\text{C to }+50\text{ }^{\circ}\text{C}$ <sup>3,4</sup> tol.	$f_{RCOSC} = 6\text{ MHz}$	–2.5	+2.5	%
$f_{CTOL}$		On-chip RC oscillator, $0\text{ }^{\circ}\text{C to }+70\text{ }^{\circ}\text{C}$ <sup>3</sup> tol.	$f_{RCOSC} = 6\text{ MHz}$	–5 <sup>5</sup>	+2.5	%
<b>Shift Register</b>						
$t_{XLXL}$	41	Serial port clock cycle time	$6t_C$	–	ns	
$t_{QVXH}$	41	Output data setup to clock rising edge	$5t_C - 133$	–	ns	
$t_{XHGX}$	41	Output data hold after clock rising edge	$1t_C - 80$	–	ns	
$t_{XHDV}$	41	Input data setup to clock rising edge	–	$5t_C - 133$	ns	
$t_{XHDX}$	41	Input data hold after clock rising edge	0	–	ns	

### NOTES:

1. Applies only to an external clock source, not when a crystal is connected to the X1 and X2 pins.
2. Tested at  $V_{DD} = 5.0\text{ V}$  and room temperature.
3. These parameters are characterized but not tested.
4. +/- 2.5% accuracy enables serial communication over the UART with the internal Oscillator.
5. Min frequency at hot temperature.

Low power, low price, low pin count (16 pin)  
microcontroller with 2 kbyte OTP

P87LPC761

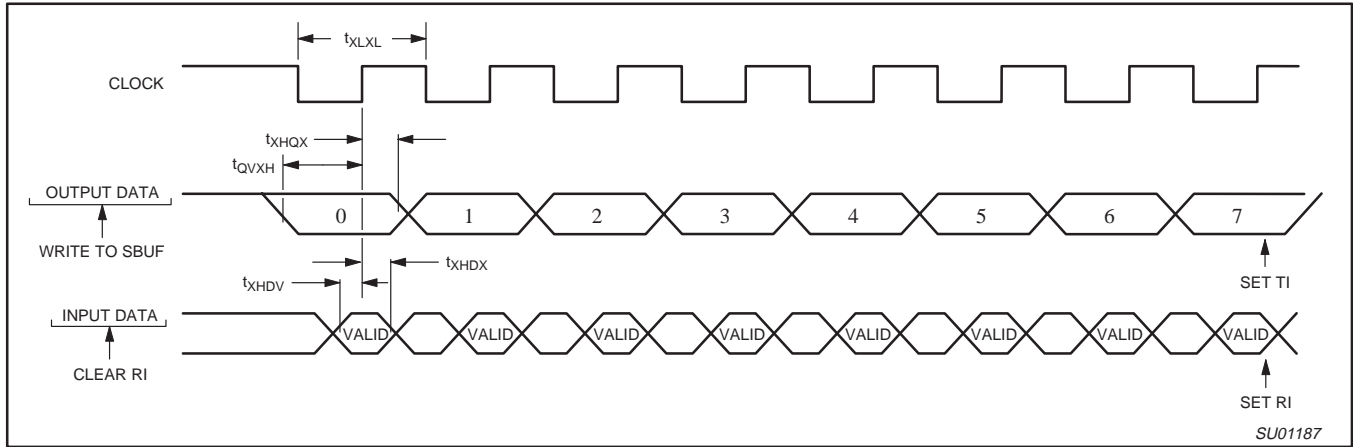


Figure 41. Shift Register Mode Timing

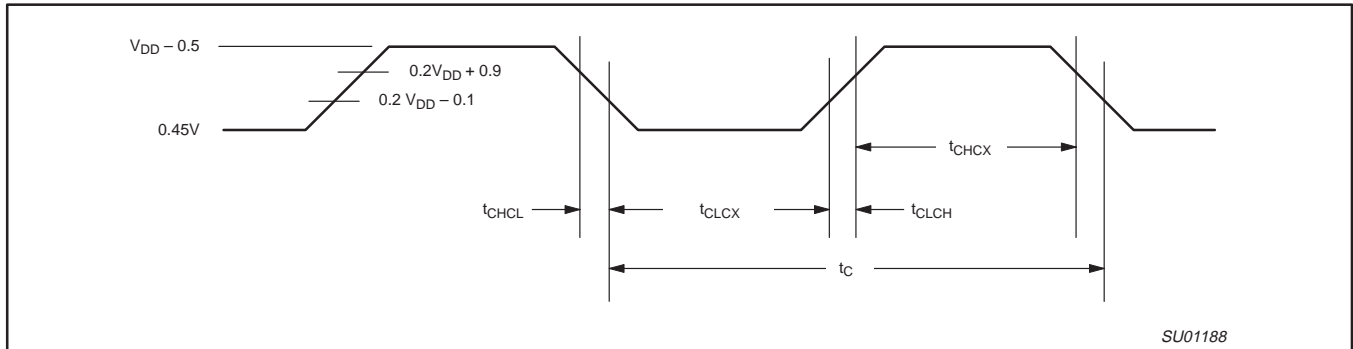


Figure 42. External Clock Timing

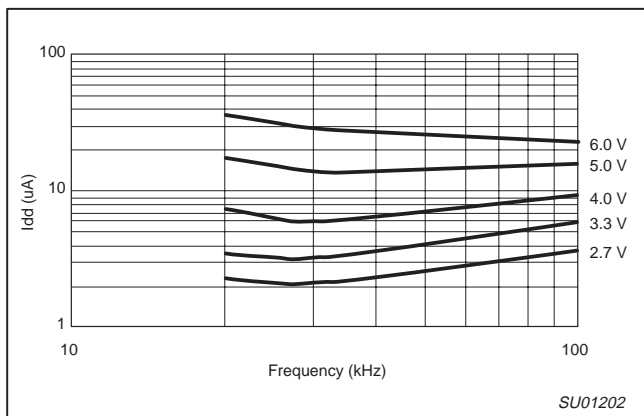


Figure 43. Typical  $I_{DD}$  versus frequency (low frequency oscillator,  $25^\circ C$ )

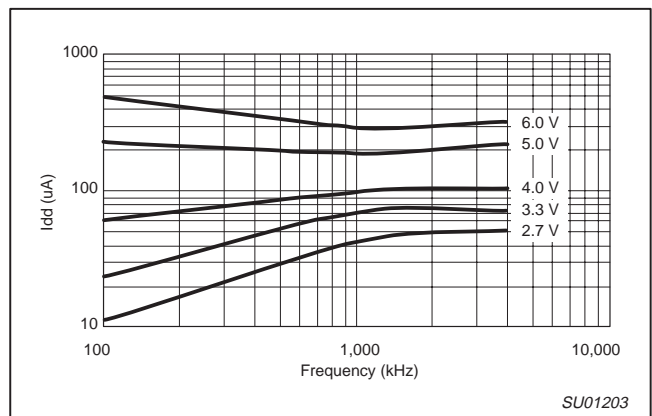


Figure 44. Typical  $I_{DD}$  versus frequency (medium frequency oscillator,  $25^\circ C$ )

Low power, low price, low pin count (16 pin)  
microcontroller with 2 kbyte OTP

P87LPC761

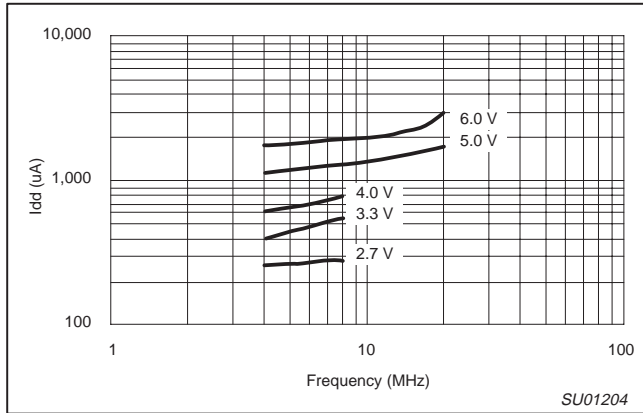


Figure 45. Typical Idd versus frequency (high frequency oscillator, 25°C)

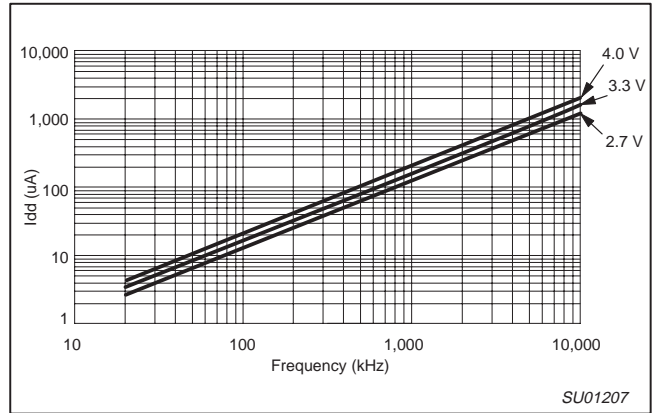


Figure 48. Typical Idle Idd versus frequency (external clock, 25°C, LPEP=1)

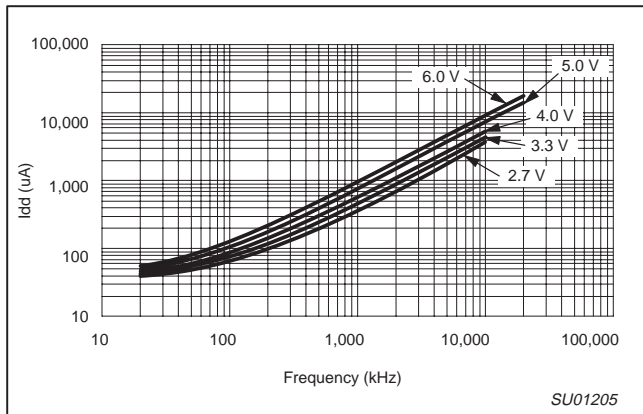


Figure 46. Typical Active Idd versus frequency (external clock, 25°C, LPEP=0)

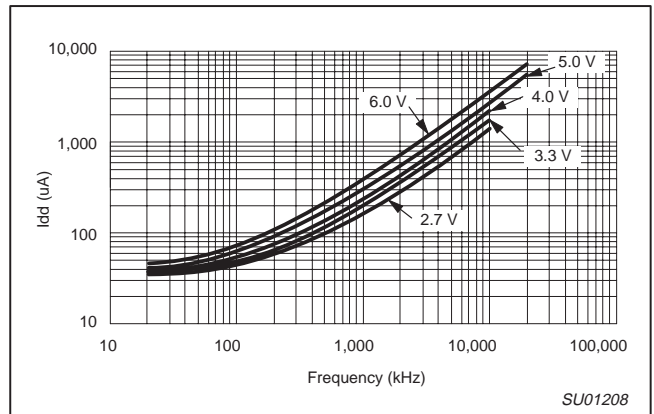


Figure 49. Typical Idle Idd versus frequency (external clock, 25°C, LPEP=0)

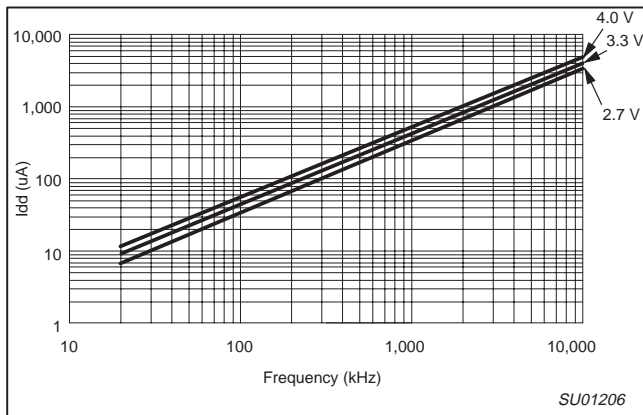


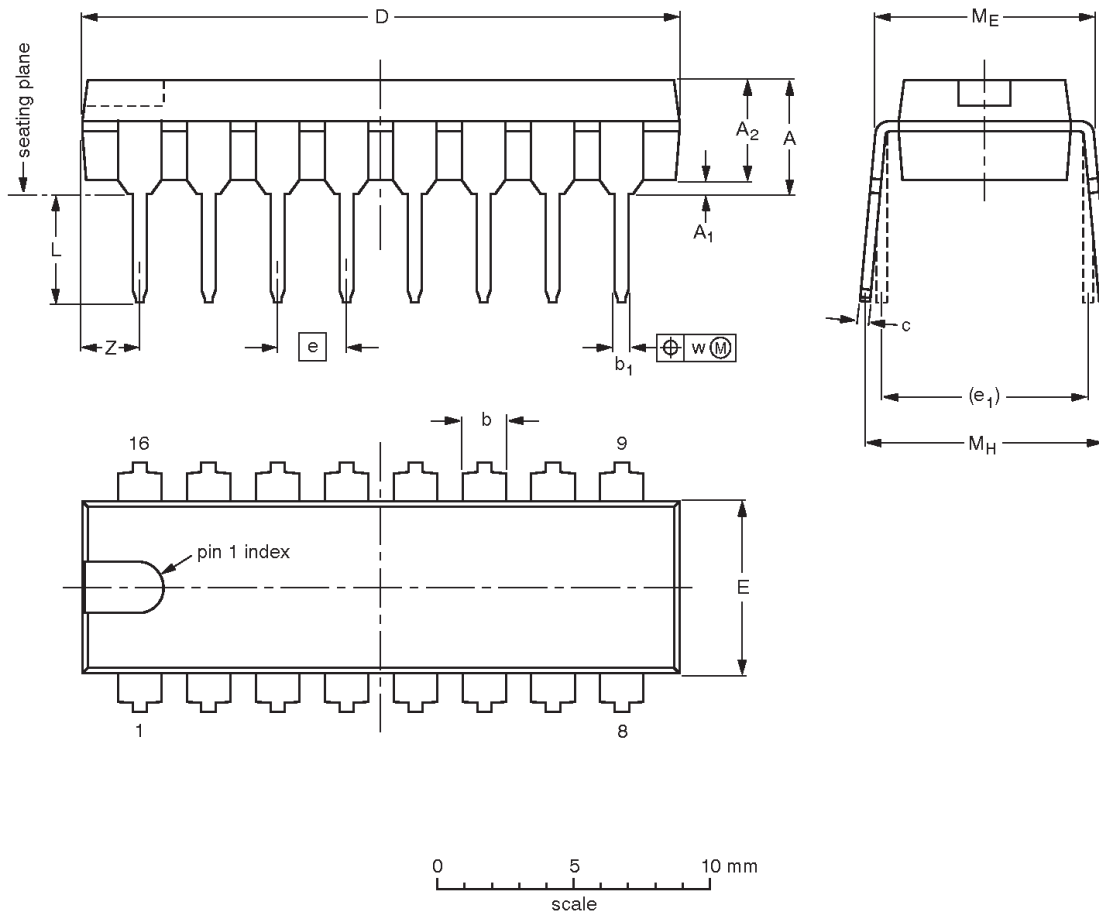
Figure 47. Typical Active Idd versus frequency (external clock, 25°C, LPEP=1)

Low power, low price, low pin count (16 pin)  
microcontroller with 2 kbyte OTP

P87LPC761

DIP16: plastic dual in-line package; 16 leads (300 mil); long body

SOT38-1



**DIMENSIONS (inch dimensions are derived from the original mm dimensions)**

UNIT	A max.	A <sub>1</sub> min.	A <sub>2</sub> max.	b	b <sub>1</sub>	c	D <sup>(1)</sup>	E <sup>(1)</sup>	e	e <sub>1</sub>	L	M <sub>E</sub>	M <sub>H</sub>	w	Z <sup>(1)</sup> max.
mm	4.7	0.51	3.7	1.40 1.14	0.53 0.38	0.32 0.23	21.8 21.4	6.48 6.20	2.54	7.62	3.9 3.4	8.25 7.80	9.5 8.3	0.254	2.2
inches	0.19	0.020	0.15	0.055 0.045	0.021 0.015	0.013 0.009	0.86 0.84	0.26 0.24	0.10	0.30	0.15 0.13	0.32 0.31	0.37 0.33	0.01	0.087

**Note**

1. Plastic or metal protrusions of 0.25 mm maximum per side are not included.

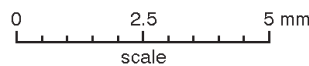
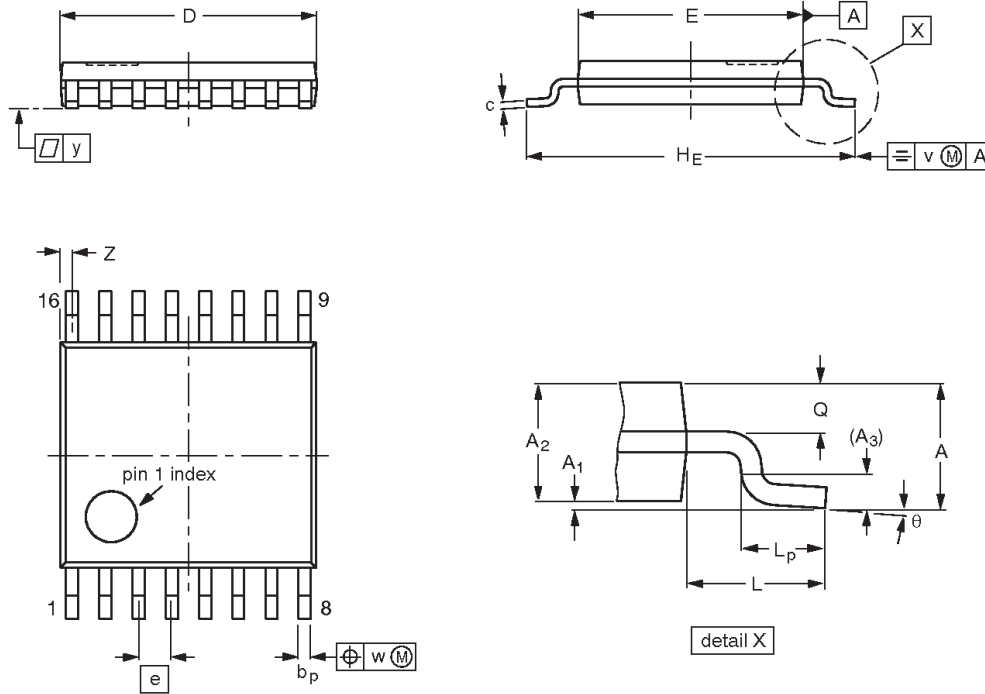
OUTLINE VERSION	REFERENCES				EUROPEAN PROJECTION	ISSUE DATE
	IEC	JEDEC	EIAJ			
SOT38-1	050G09	MO-001	SC-503-16			95-01-19 99-12-27

Low power, low price, low pin count (16 pin)  
microcontroller with 2 kbyte OTP

P87LPC761

TSSOP16: plastic thin shrink small outline package; 16 leads; body width 4.4 mm

SOT403-1



**DIMENSIONS (mm are the original dimensions)**

UNIT	A max.	A <sub>1</sub>	A <sub>2</sub>	A <sub>3</sub>	b <sub>p</sub>	c	D <sup>(1)</sup>	E <sup>(2)</sup>	e	H <sub>E</sub>	L	L <sub>p</sub>	Q	v	w	y	Z <sup>(1)</sup>	θ
mm	1.10	0.15 0.05	0.95 0.80	0.25	0.30 0.19	0.2 0.1	5.1 4.9	4.5 4.3	0.65	6.6 6.2	1.0	0.75 0.50	0.4 0.3	0.2	0.13	0.1	0.40 0.06	8° 0°

**Notes**

1. Plastic or metal protrusions of 0.15 mm maximum per side are not included.
2. Plastic interlead protrusions of 0.25 mm maximum per side are not included.

OUTLINE VERSION	REFERENCES				EUROPEAN PROJECTION	ISSUE DATE
	IEC	JEDEC	EIAJ			
SOT403-1		MO-153				95-04-04 99-12-27



---

Low power, low price, low pin count (16 pin)  
microcontroller with 2 kbyte OTP

---

P87LPC761

**REVISION HISTORY**

Date	CPCN	Description
2002 Mar 07	9397 750 09533	Initial release

# Low power, low price, low pin count (16 pin) microcontroller with 2 kbyte OTP

P87LPC761



Purchase of Philips I<sup>2</sup>C components conveys a license under the Philips' I<sup>2</sup>C patent to use the components in the I<sup>2</sup>C system provided the system conforms to the I<sup>2</sup>C specifications defined by Philips. This specification can be ordered using the code 9398 393 40011.

## Data sheet status

Data sheet status <sup>[1]</sup>	Product status <sup>[2]</sup>	Definitions
Objective data	Development	This data sheet contains data from the objective specification for product development. Philips Semiconductors reserves the right to change the specification in any manner without notice.
Preliminary data	Qualification	This data sheet contains data from the preliminary specification. Supplementary data will be published at a later date. Philips Semiconductors reserves the right to change the specification without notice, in order to improve the design and supply the best possible product.
Product data	Production	This data sheet contains data from the product specification. Philips Semiconductors reserves the right to make changes at any time in order to improve the design, manufacturing and supply. Changes will be communicated according to the Customer Product/Process Change Notification (CPCN) procedure SNW-SQ-650A.

[1] Please consult the most recently issued data sheet before initiating or completing a design.

[2] The product status of the device(s) described in this data sheet may have changed since this data sheet was published. The latest information is available on the Internet at URL <http://www.semiconductors.philips.com>.

## Definitions

**Short-form specification** — The data in a short-form specification is extracted from a full data sheet with the same type number and title. For detailed information see the relevant data sheet or data handbook.

**Limiting values definition** — Limiting values given are in accordance with the Absolute Maximum Rating System (IEC 60134). Stress above one or more of the limiting values may cause permanent damage to the device. These are stress ratings only and operation of the device at these or at any other conditions above those given in the Characteristics sections of the specification is not implied. Exposure to limiting values for extended periods may affect device reliability.

**Application information** — Applications that are described herein for any of these products are for illustrative purposes only. Philips Semiconductors make no representation or warranty that such applications will be suitable for the specified use without further testing or modification.

## Disclaimers

**Life support** — These products are not designed for use in life support appliances, devices or systems where malfunction of these products can reasonably be expected to result in personal injury. Philips Semiconductors customers using or selling these products for use in such applications do so at their own risk and agree to fully indemnify Philips Semiconductors for any damages resulting from such application.

**Right to make changes** — Philips Semiconductors reserves the right to make changes, without notice, in the products, including circuits, standard cells, and/or software, described or contained herein in order to improve design and/or performance. Philips Semiconductors assumes no responsibility or liability for the use of any of these products, conveys no license or title under any patent, copyright, or mask work right to these products, and makes no representations or warranties that these products are free from patent, copyright, or mask work right infringement, unless otherwise specified.

## Contact information

For additional information please visit  
<http://www.semiconductors.philips.com>. Fax: +31 40 27 24825

© Koninklijke Philips Electronics N.V. 2002  
All rights reserved. Printed in U.S.A.

Date of release: 03-02

For sales offices addresses send e-mail to:  
[sales.addresses@www.semiconductors.philips.com](mailto:sales.addresses@www.semiconductors.philips.com)

Document order number:

9397 750 09533

*Let's make things better.*