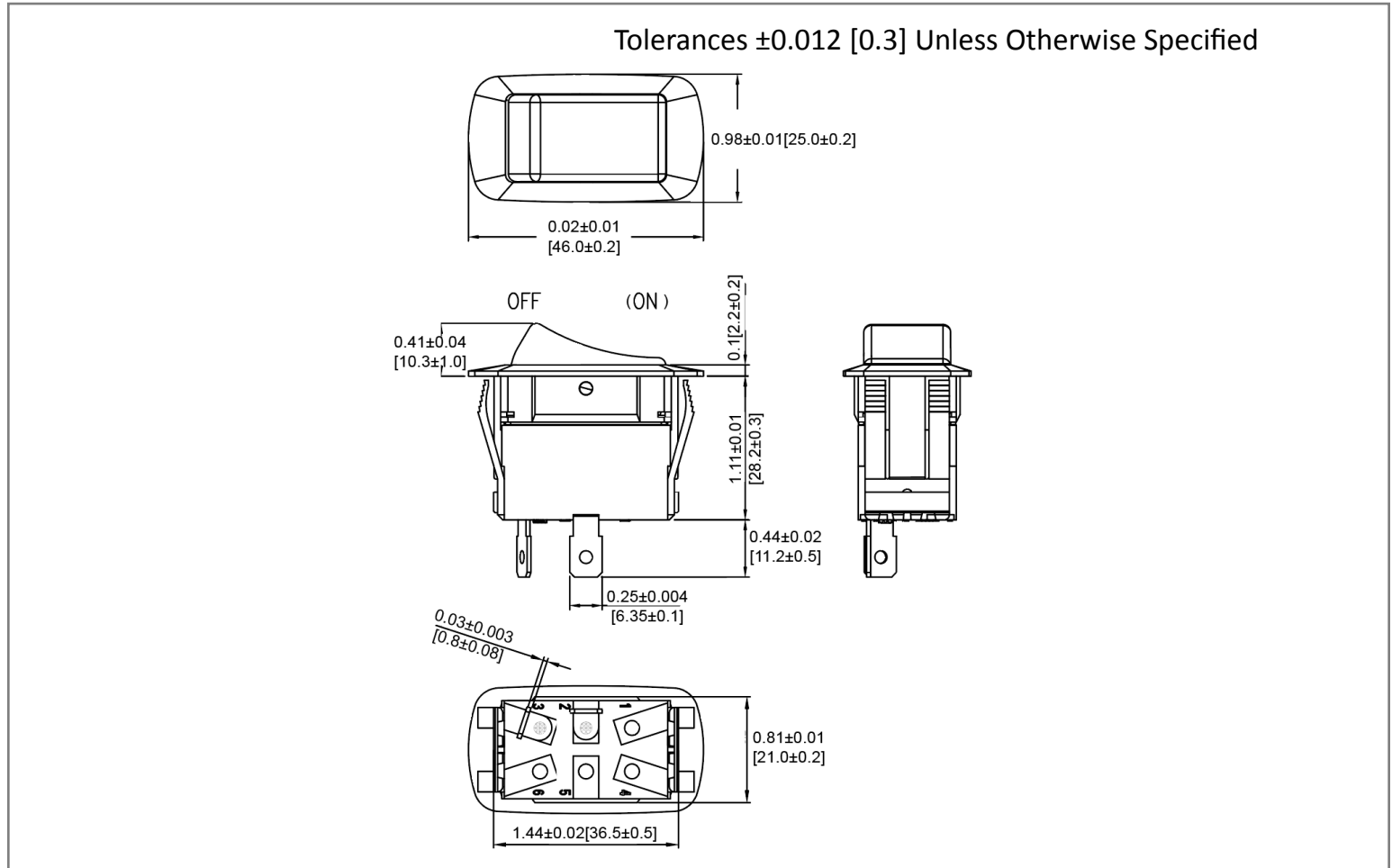
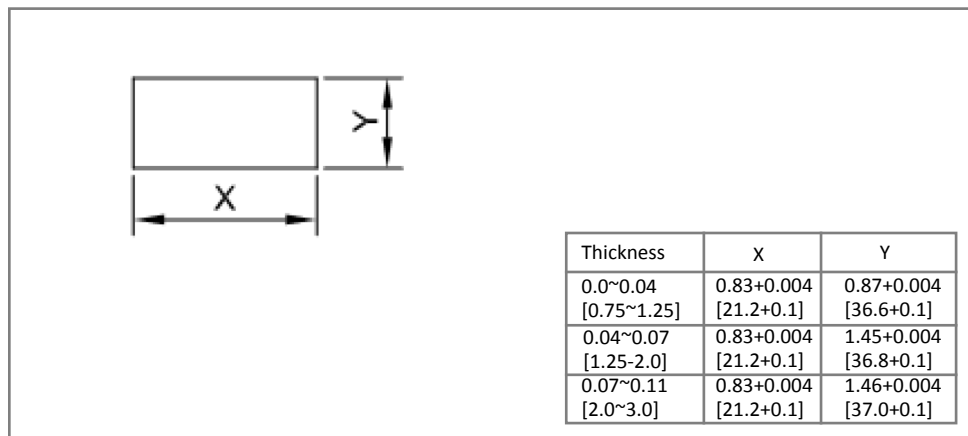


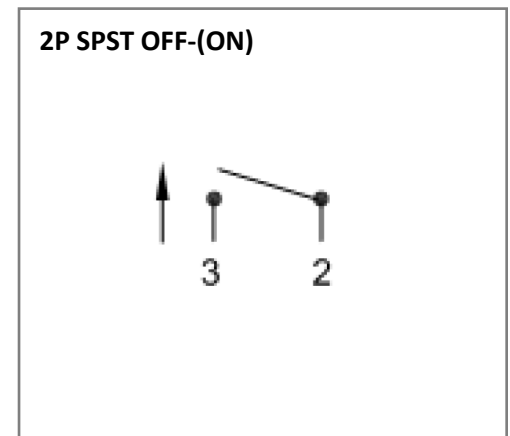
## Mechanical Dimensions: Inches [mm]



## Mounting Hole



## Circuit Diagram



## Electrical Specifications

<b>Rating</b>	16(4)A 125/250V AC. R/GP: 20A 125V AC
<b>Contact Resistance</b>	50m ohm Max.
<b>Insulation Resistance</b>	DC 500V 100M ohm Min
<b>Dielectric Strength</b>	AC 1500V 1 minute
<b>Operation Temperature</b>	-20°C ~ 85°C

## Material Specifications

<b>Frame</b>	Black, Nylon 66
<b>Actuator</b>	Black, Nylon 66+33%GF
<b>Waterproof</b>	IP56

# Rocker Switch

# SRB1-1B-AC-1-NN



Rev	Date of issue	Revision Notes	Designed	Approved
A	02-04-2021	Initial Drawing	RC	OF