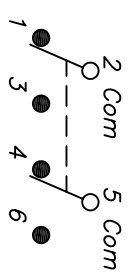
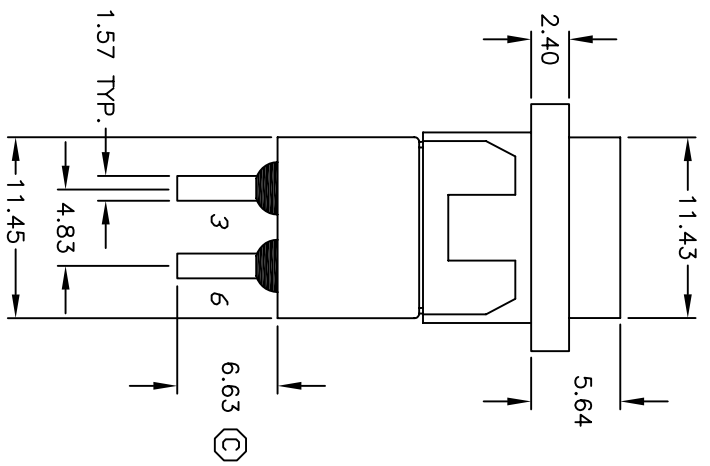
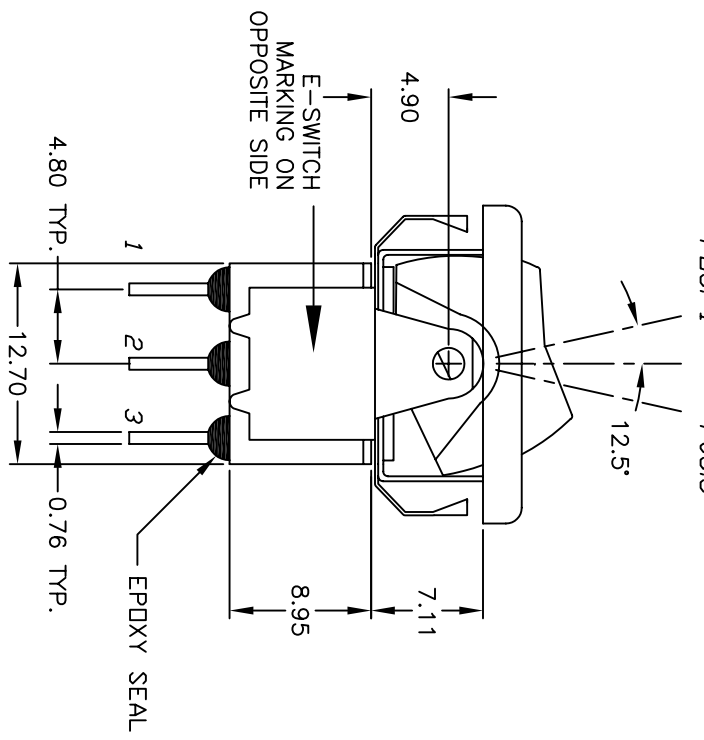


SWITCH FUNCTION		
POS. 1	POS. 2	POS. 3
DN	OFF	DN
2-3,5-6	OPEN	2-1,5-4

PANEL THICKNESS  
 \* DIMENSION IS 15.75/15.88  
 ▲ FOR PANEL THICKNESS BETWEEN 1.52mm TD 3.18mm



CIRCUIT: DPDT

- NOTES:
1. ALL DIMENSIONS IN MM
  2. GENERAL TOLERANCE: X.X=±0.4 X.XX=±0.25
  3. TERM. NOS. FOR REF. ONLY
  4. RATING: 5A @120VAC OR 28VDC 2A @250VAC
  5. MATERIAL: FIXED TERMINAL & MOVING CONTACT Copper Alloy w/Silver Plate
  6. CONTACT RESISTANCE: 10mILLI Ohms max initial @2-4VDC, 100ma for AG & AU
  7. ELECTRICAL LIFE: 50,000 make-and-break cycles at full load.
  8. INSULATION RESISTANCE: 1,000M ohm min.
  9. DIELECTRIC STRENGTH: 1000V RMS @sea level
  10. OPERATING TEMP.: -30°C to 85°C
  11. 2002/95/EC (ROHS) COMPLIANT



300DP3R6BLKM3QE BLK

REV.	ECN NO.	DESCRIPTION	DATE	CHKD
C	17567	CHANGED DIM. 6.35 TO 6.63	8/16/07	BF

TITLE	SCALE	DATE	DR	DWG	REV
300DP3R6BLKM3QE BLK	2:1	8/16/07	BF	T323003	C

THE INFORMATION CONTAINED IN THIS DOCUMENT IS PROPRIETARY TO E-SWITCH AND IS NOT TO BE COPIED OR TRANSFERRED