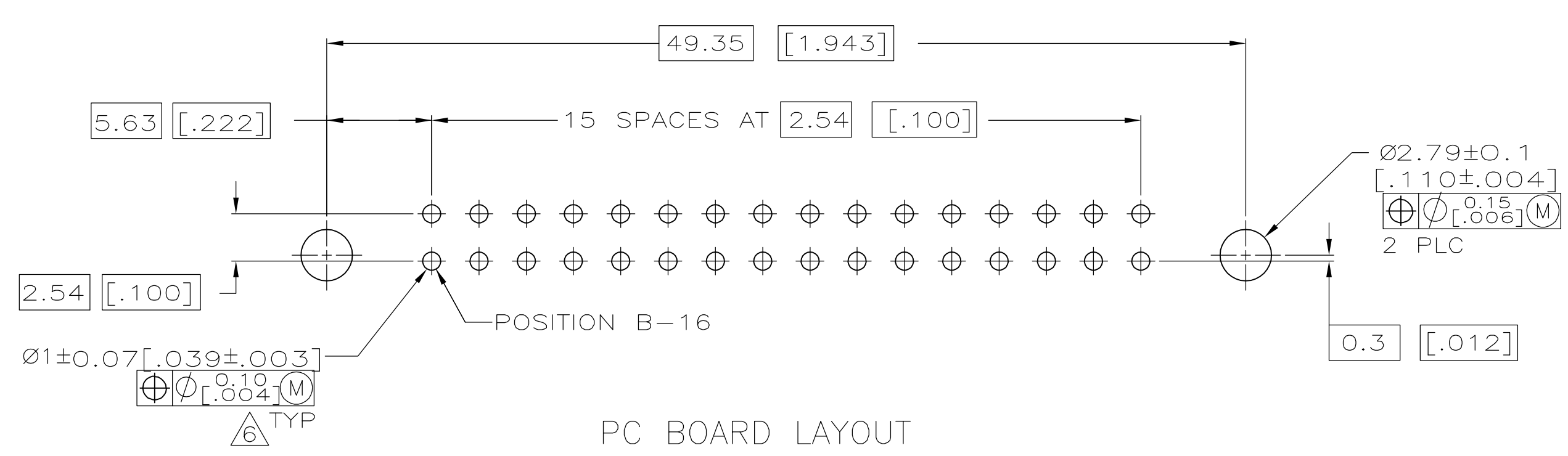
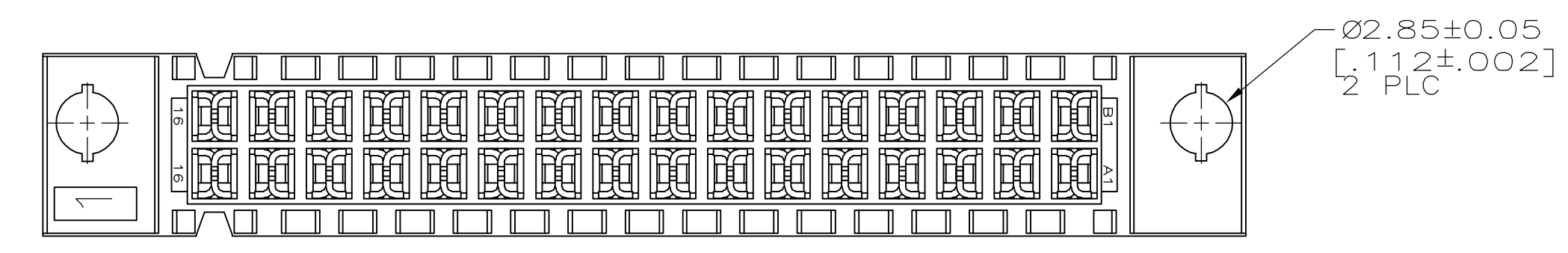
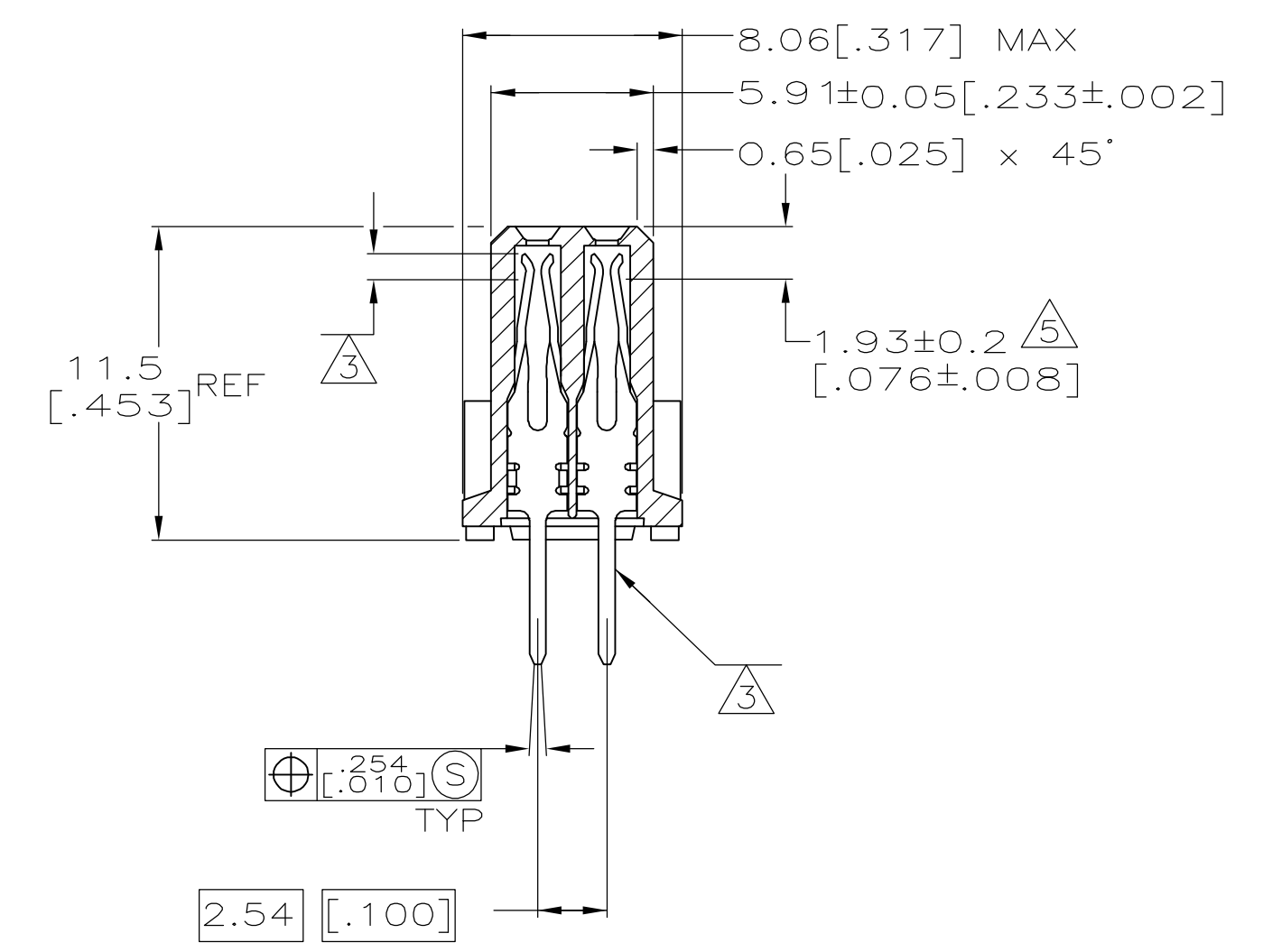
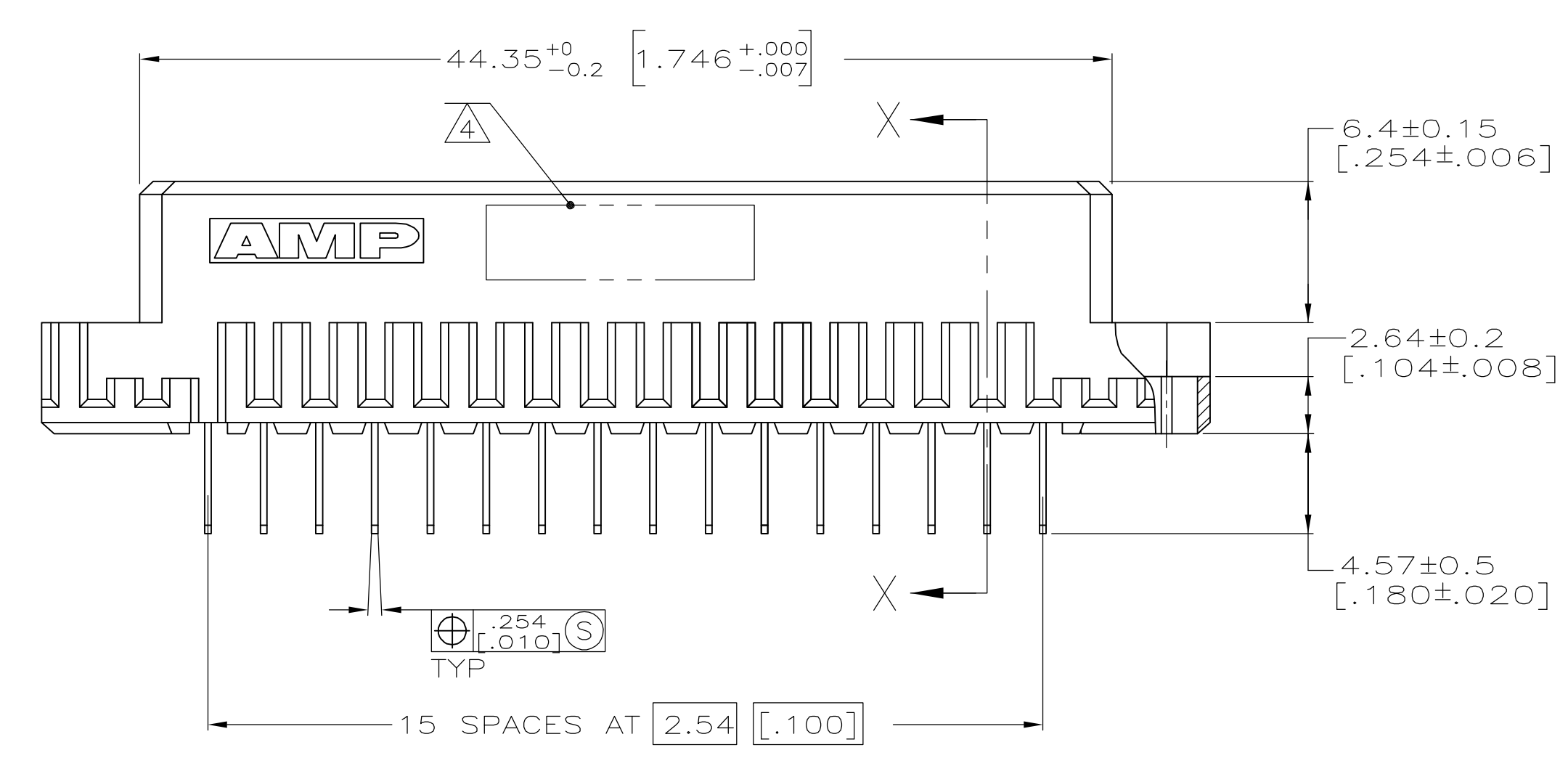
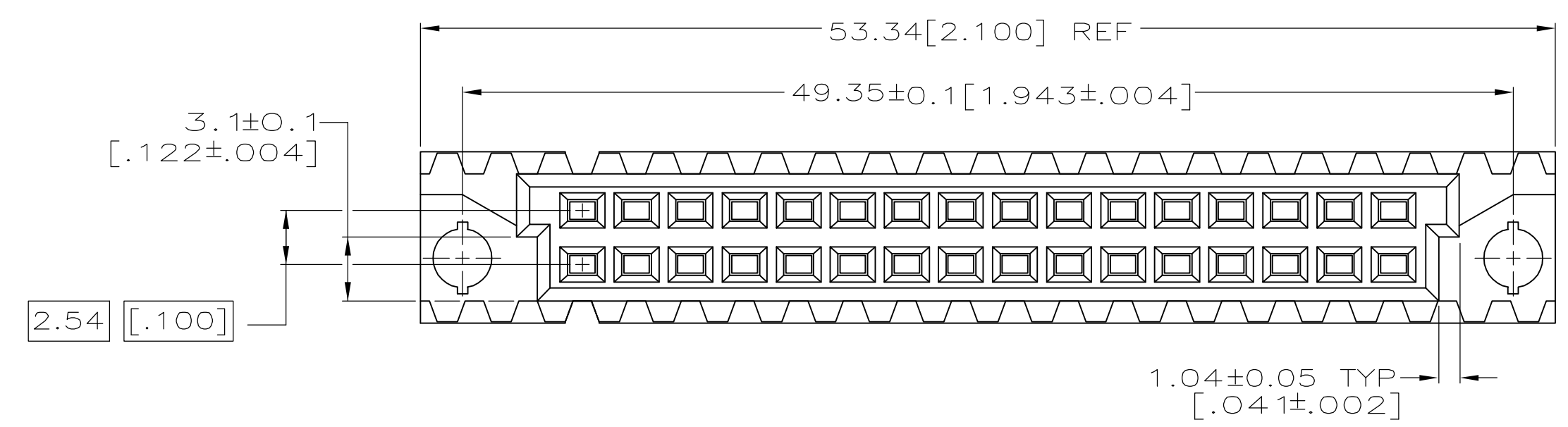


- ① HOUSING MATERIAL: GLASS-FILLED POLYMER.
- ② CONTACT MATERIAL: COPPER ALLOY.
- ③ CONTACT FINISH: DIN 41612 CLASS 2 IN CONTACT AREA. TIN PLATE ON POSTS.
- ④ PART NUMBER, DATE CODE IDENTIFICATION, CSA LOGO IN THIS APPROXIMATE AREA, ON REVERSE SIDE.
- ⑤ CONTACT POINT.
- ⑥ RECOMMENDED HOLE SIZE FOR MANUAL APPLICATION OF CONNECTOR ONTO PC BOARD.



1 THRU 16	X	X	32	5650858-5
POSITIONS LOADED	B	A	NO. OF LOADED POSITIONS	ASSY PART NUMBER

THIS DRAWING IS A CONTROLLED DOCUMENT.		DWN J. POIGNONE 03JUN05	 Tyco Electronics Corporation Harrisburg, Pa 17105-3608
DIMENSIONS: mm [INCHES]		CHK A. SHARPE 03JUN05	
TOLERANCES UNLESS OTHERWISE SPECIFIED:		APP'D A. SHARPE 03JUN05	NAME
0 PLC ± -			ASSEMBLY, RECEPTACLE, EUROCARD, TYPE B, LEAD-FREE, 32 POSITION, 4.57[.180] SOLDER POSTS
1 PLC ± -			PRODUCT SPEC
2 PLC ± -			APPLICATION SPEC
3 PLC ± 0.13[.005]			SIZE CAGE CODE DRAWING NO RESTRICTED TO
4 PLC ± -			A1 00779 C=5650858 -
ANGLES ± -			WEIGHT -
FINISH			CUSTOMER DRAWING SCALE 4:1 SHEET 1 OF 1 REV 0