

DETAILS

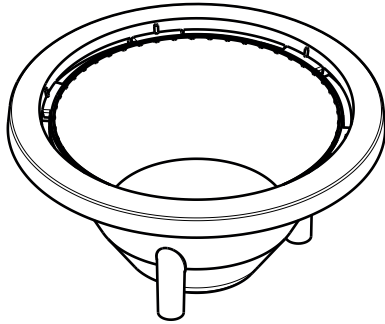
Product Number	C13085_MIRELLA-50-S-PF
Family	Mirella
Type	Reflector
Color	metal
Diameter	49,9 mm
Height	24 mm
Style	round
Optic Material	PC
Holder Material	
Fastening	socket
Status	production ready
ROHS Compliant	Yes
Date Updated	10/02/2016



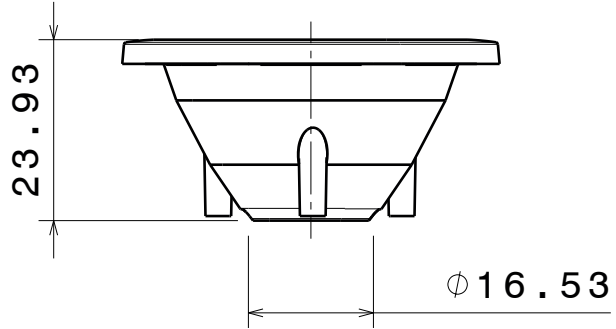
OPTICAL PROPERTIES

LED	Viewing Angle	Light Beam	Efficiency	cd/lm	Connector
CXA/B 1816 & CXA/B 1820 & CXA 1850	23 deg	Spot	89 %	2.800	IDEAL: 50-2101CR + 50-2100MR
LUXEON CoB 1202/1203	19 deg	Spot	88 %	3.500	IDEAL: 50-2100NC +50-2100MR
COB L-Type (LES 11)	25 deg	Spot	83 %	2.500	IDEAL: 50-2100NC +50-2100MR
COB L-Type (LES 9)	22 deg	Spot	84 %	3.000	IDEAL: 50-2100NC +50-2100MR

NOTE: It is recommended to use glue like DELO-PUR 9895 for pin fastening.
[http://www.delo.de/fileadmin/datasheet/DELO-PUR_9895_\(TIDB-GB\).pdf](http://www.delo.de/fileadmin/datasheet/DELO-PUR_9895_(TIDB-GB).pdf)

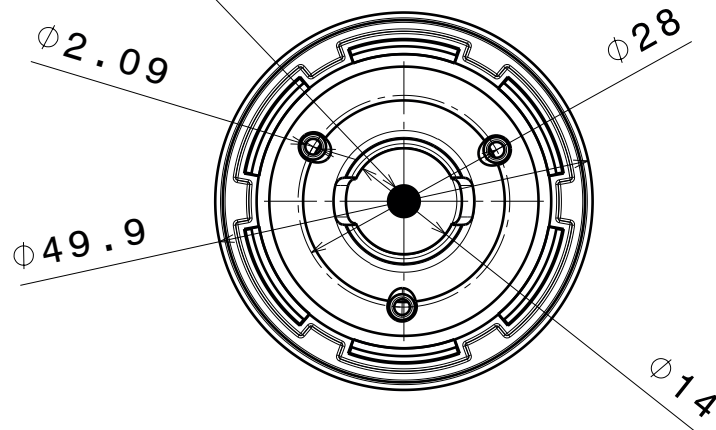


Isometric view



Front view

LED position



Bottom view

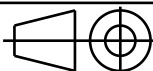
INDEX	PART NO	DESCRIPTION	MATERIAL	COLOUR
1	C13085	MIRELLA-50-S-PF	PC	metal

Tolerances if not otherwise shown
 According to DIN ISO 2768-1
 Linear measures:
 Up to 30mm class M, otherwise class C.
 According to DIN ISO 2768-2
 Form and position: class L



Ledil Oy
 Salorankatu 10
 FIN 24240 SALO
 Finland

THIRD ANGLE PROJECTION:



DRAWING TITLE

C13085_MIRELLA-50-S-PF

This drawing is the property
 of LEDiL Oy. It may not be
 reproduced, copied or
 communicated without a written
 agreement with LEDiL Oy.

SIZE PART NUMBER

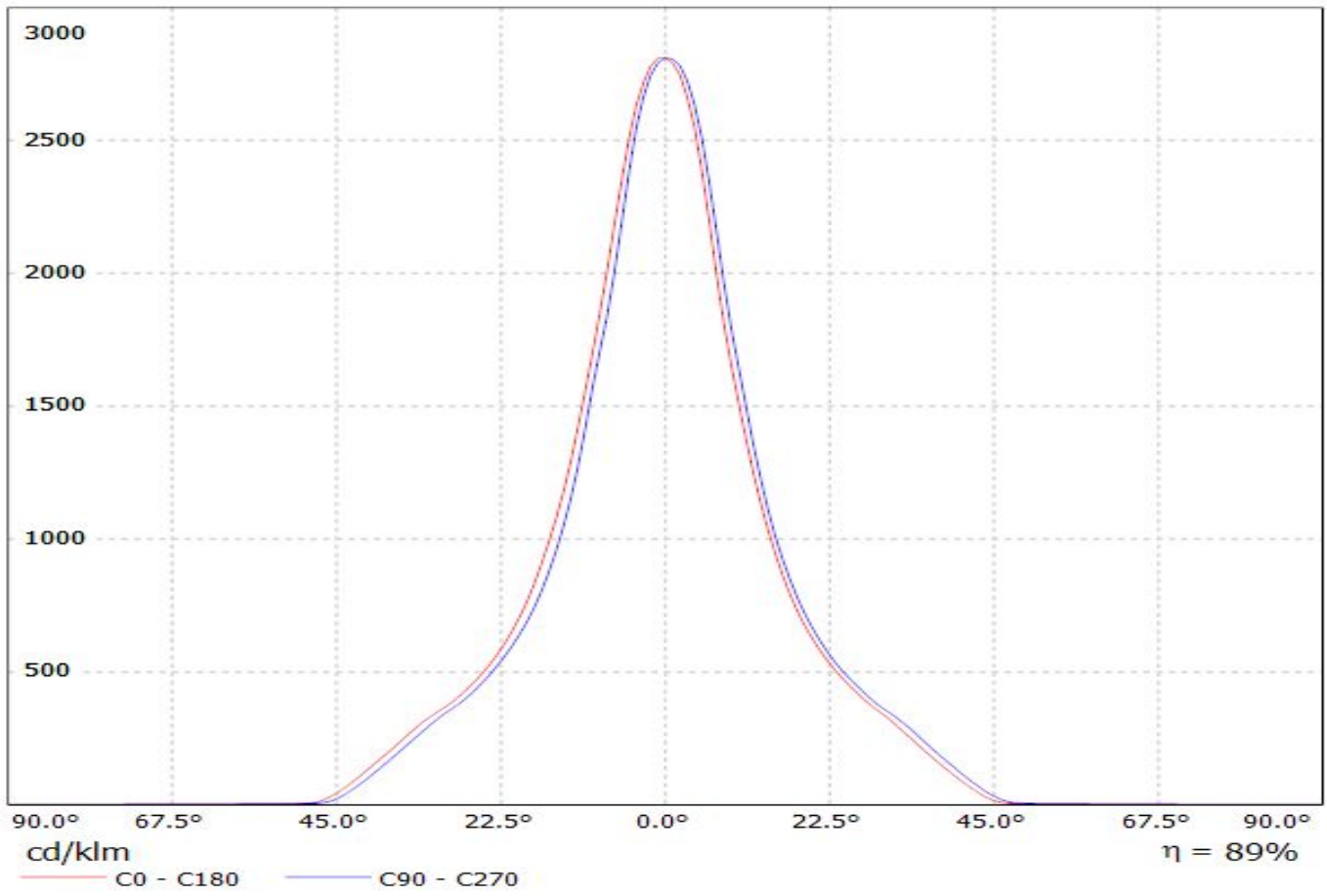
A4

C13085

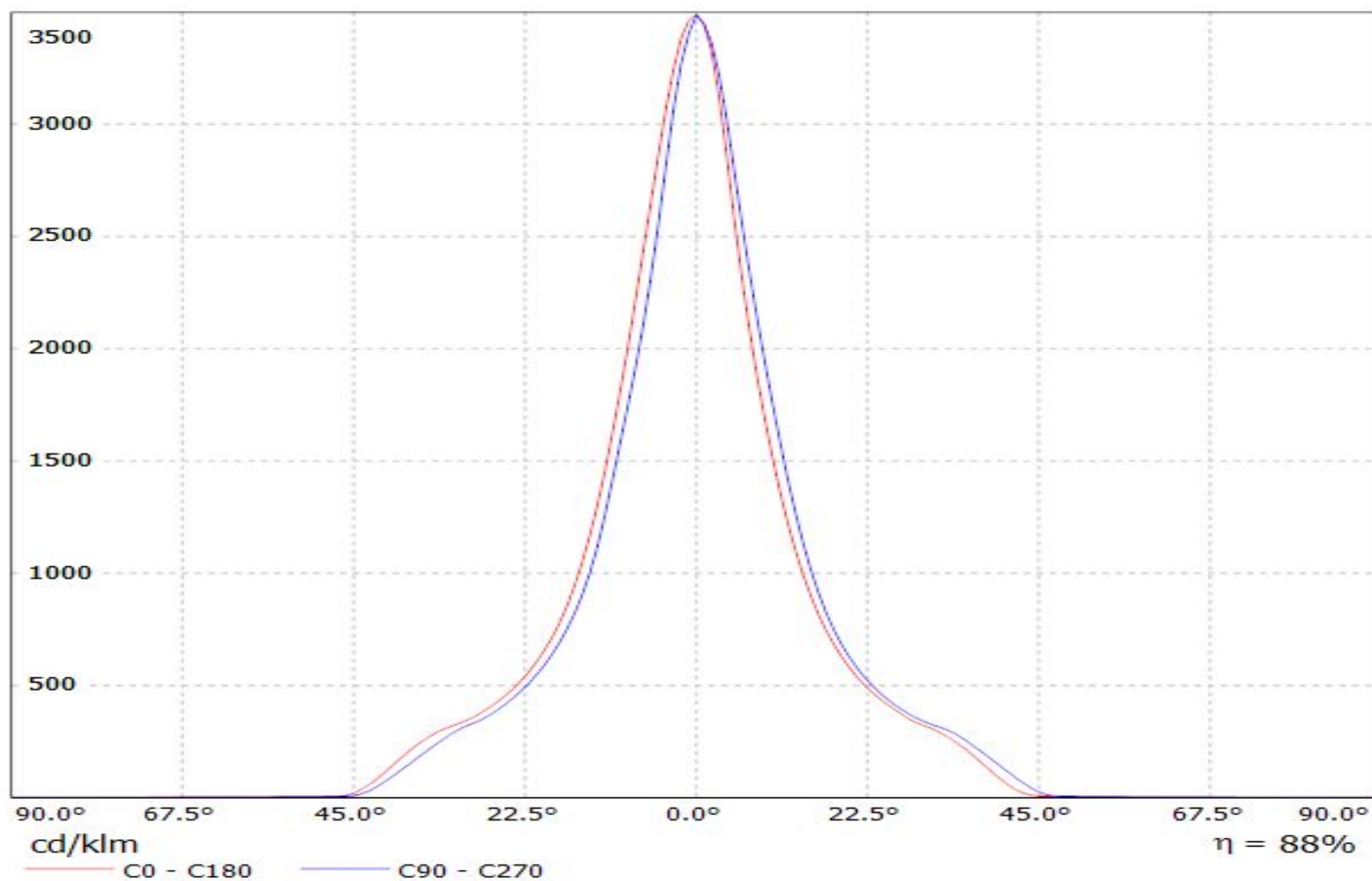
SCALE 1:1 WEIGHT 4,70 g SHEET 1/1

Luminaire: LEDiL Oy C13085_MIRELLA-50-S-PF_(CXA1816)

Lamps: 1 x CREE_CXA1816_(CXA1816-30F-P2-N0H-00001)_1077.67lm@250mA_P=8.73226W_I=249.8mA

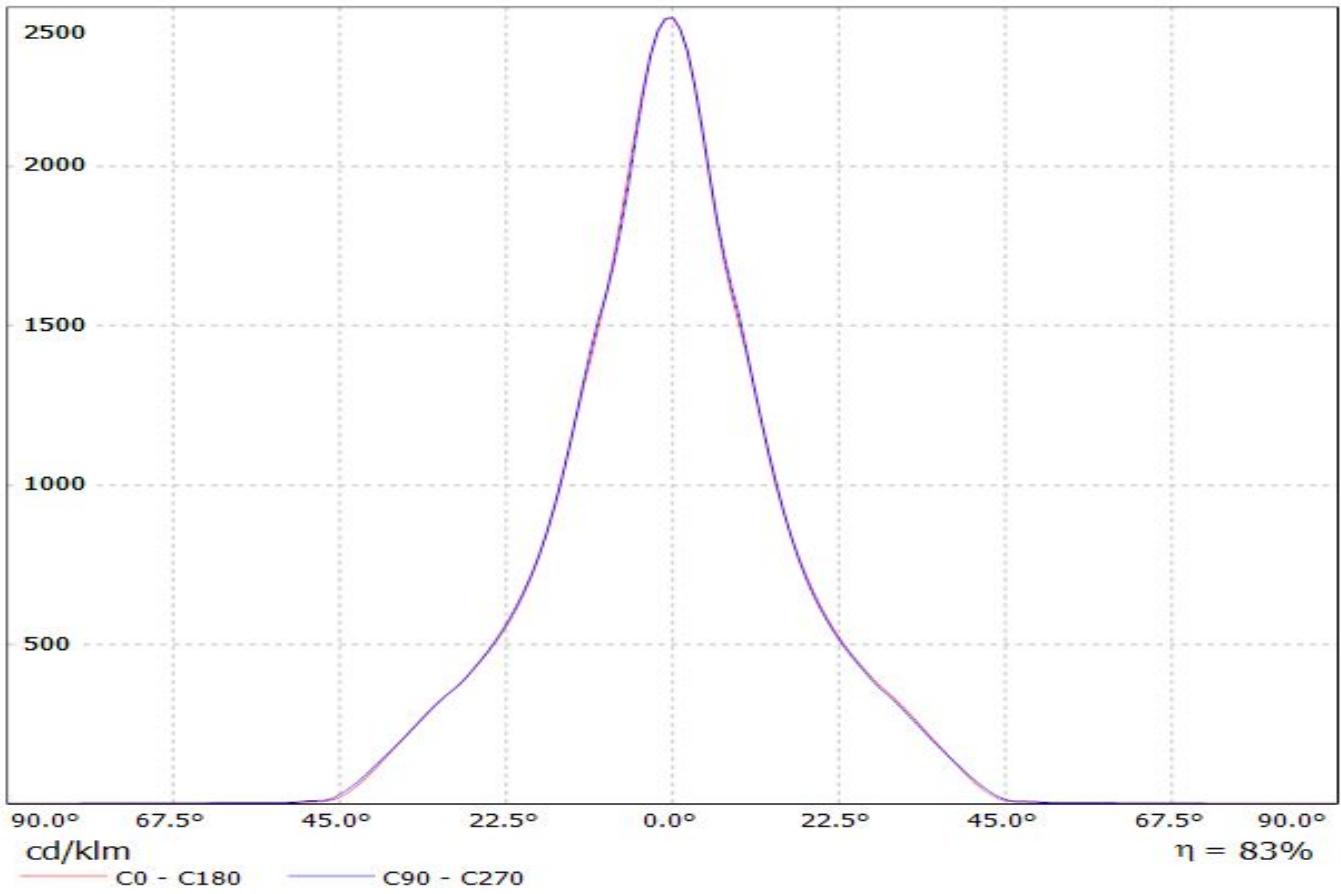


Luminaire: LEDiL Oy C13085_MIRELLA-50-S-PF_(COB_1203)
Lamps: 1 x Phillips_Lumileds_Luxeon_COB_1203_(LHC1-3080-1203)
_987.649lm@250mA_P=8.67381W_I=249.8mA



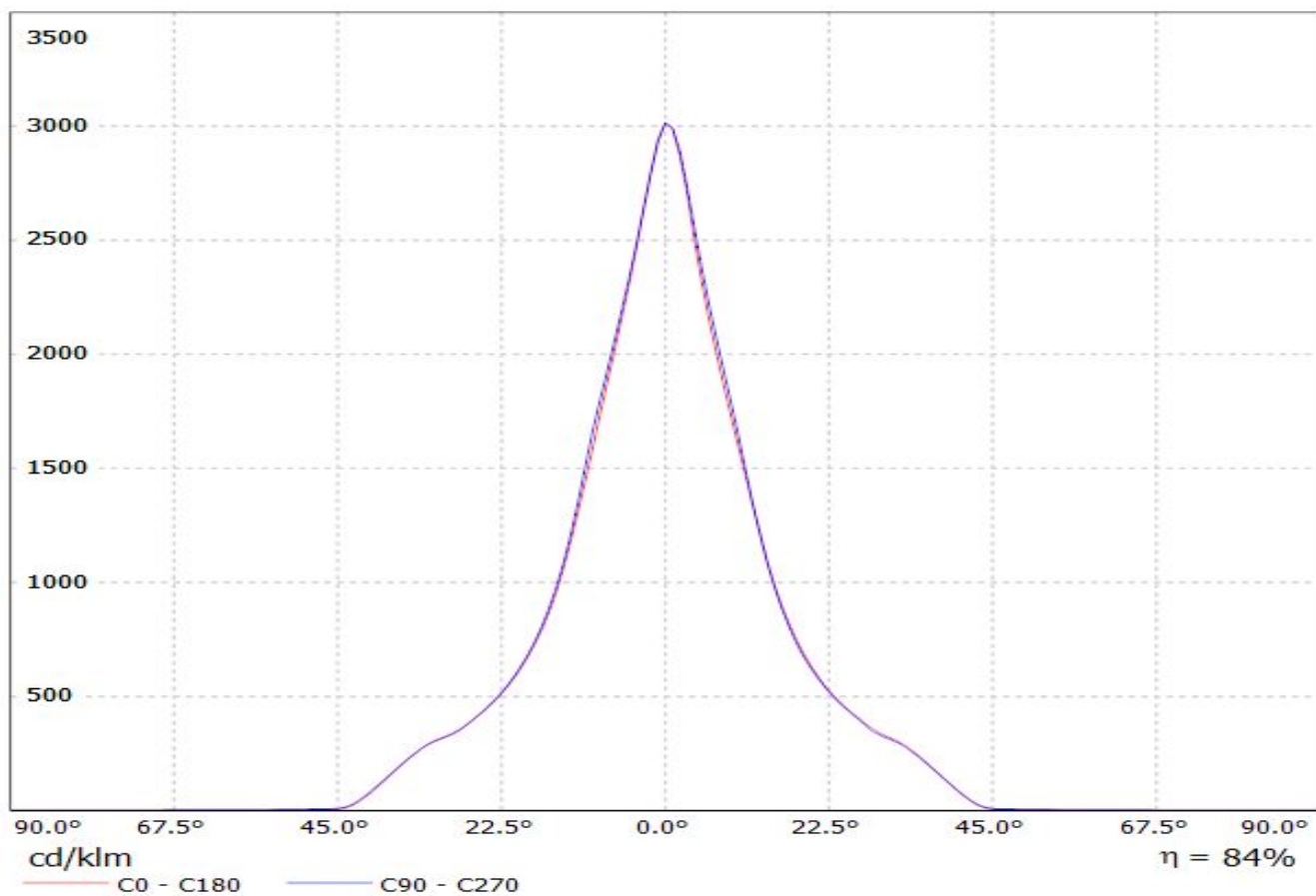
Luminaire: LEDiL Oy C13085_MIRELLA-50-S-PF_(NFCLL060B)

Lamps: 1 x Nichia_NFCLL060B_(sm403G2450R8000)_1315.35lm@250mA_P=8.47347W_I=249.8mA



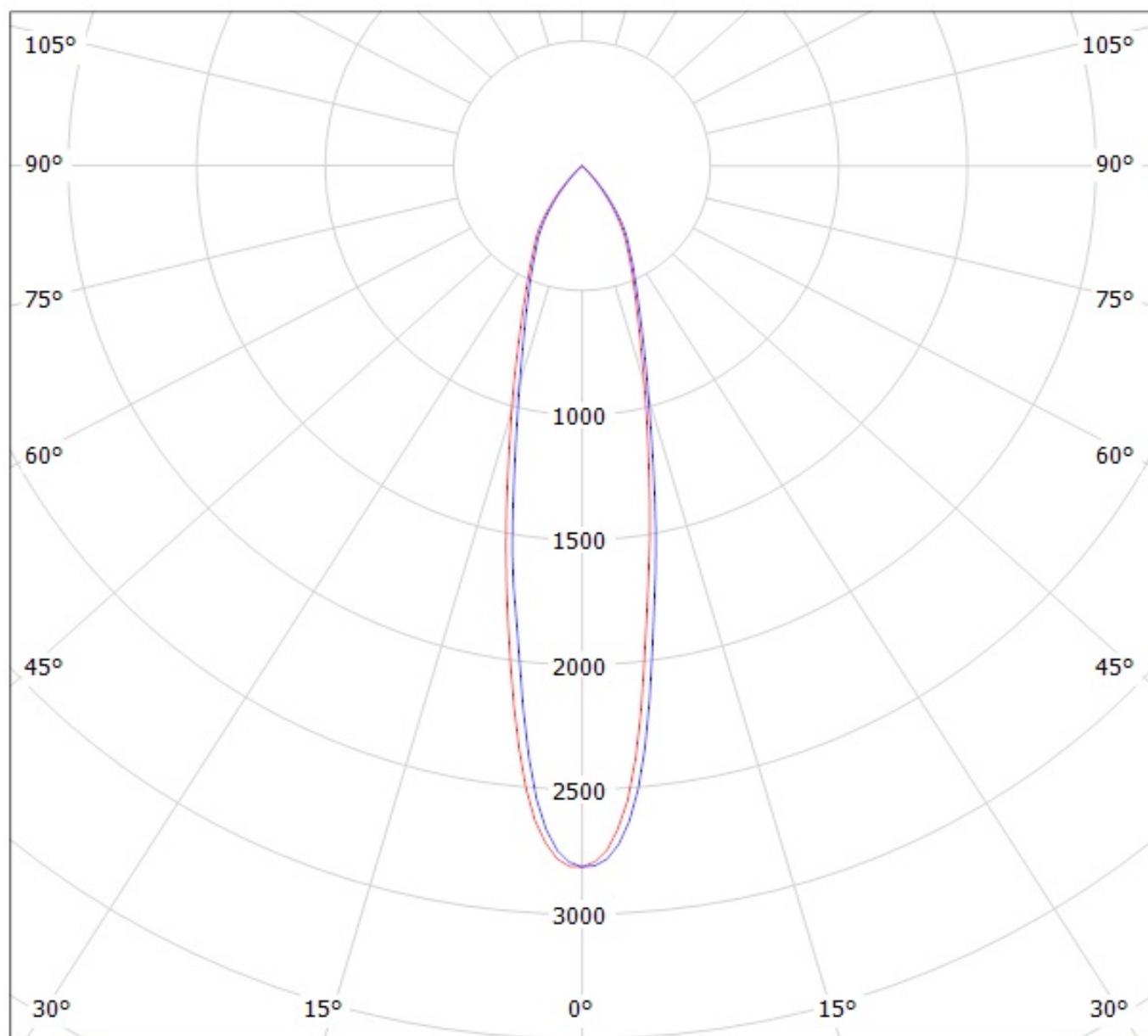
Luminaire: LEDiL Oy C13085_MIRELLA-50-S-PF_(NCFL036B)

Lamps: 1 x Nichia_NFCL036B_(sm403J1300R8000)_546.369lm@100mA_P=3.34274W_I=100.1mA



Luminaire: LEDiL Oy C13085_MIRELLA-50-S-PF_(CXA1816)

Lamps: 1 x CREE_CXA1816_(CXA1816-30F-P2-N0H-00001)_1077.67lm@250mA_P=8.73226W_I=249.8mA



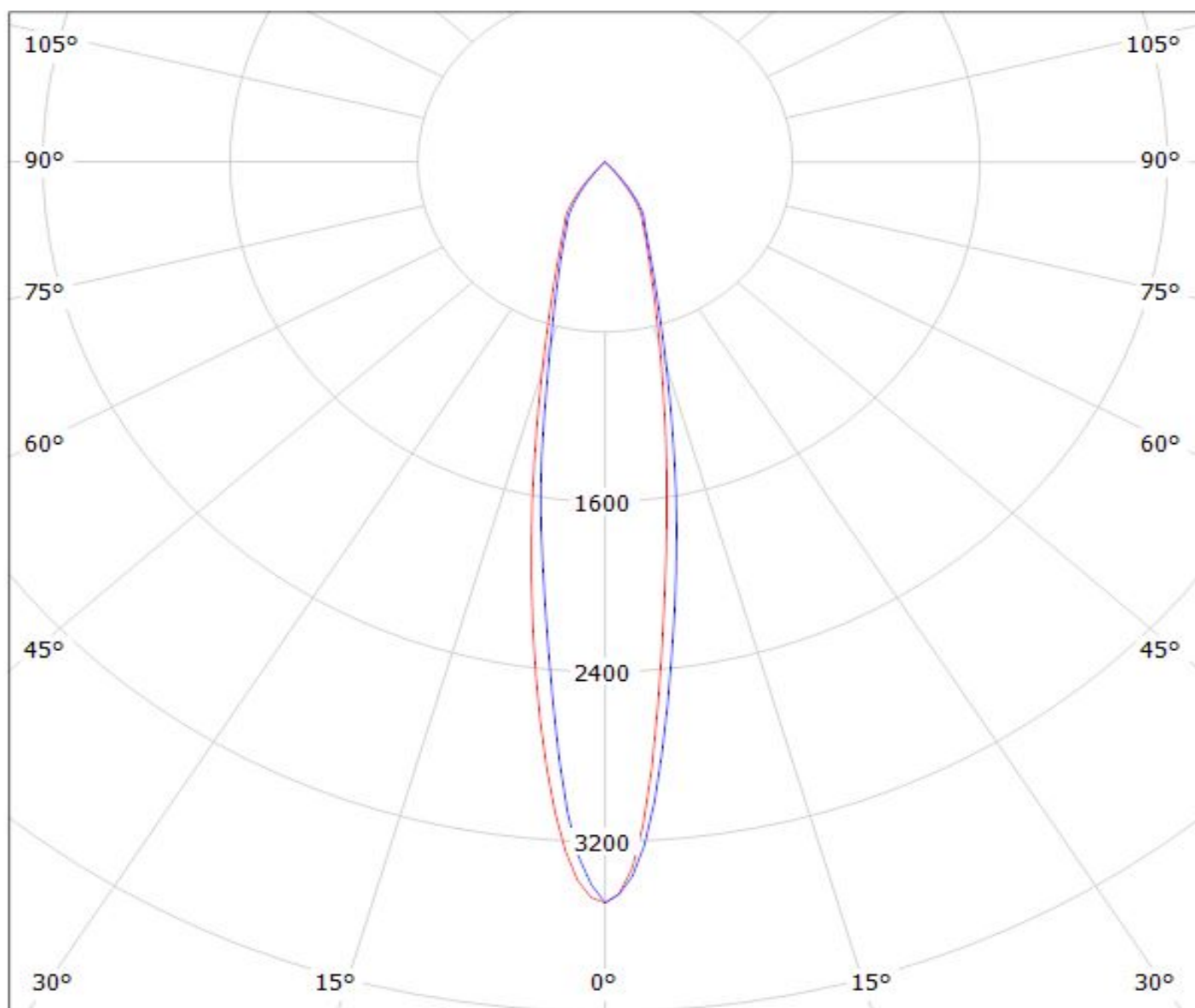
cd/klm

— C0 - C180

— C90 - C270

$\eta = 89\%$

Luminaire: LEDiL Oy C13085_MIRELLA-50-S-PF_(COB_1203)
Lamps: 1 x Phillips_Lumileds_Luxeon_COB_1203_(LHC1-3080-1203)
_987.649lm@250mA_P=8.67381W_I=249.8mA



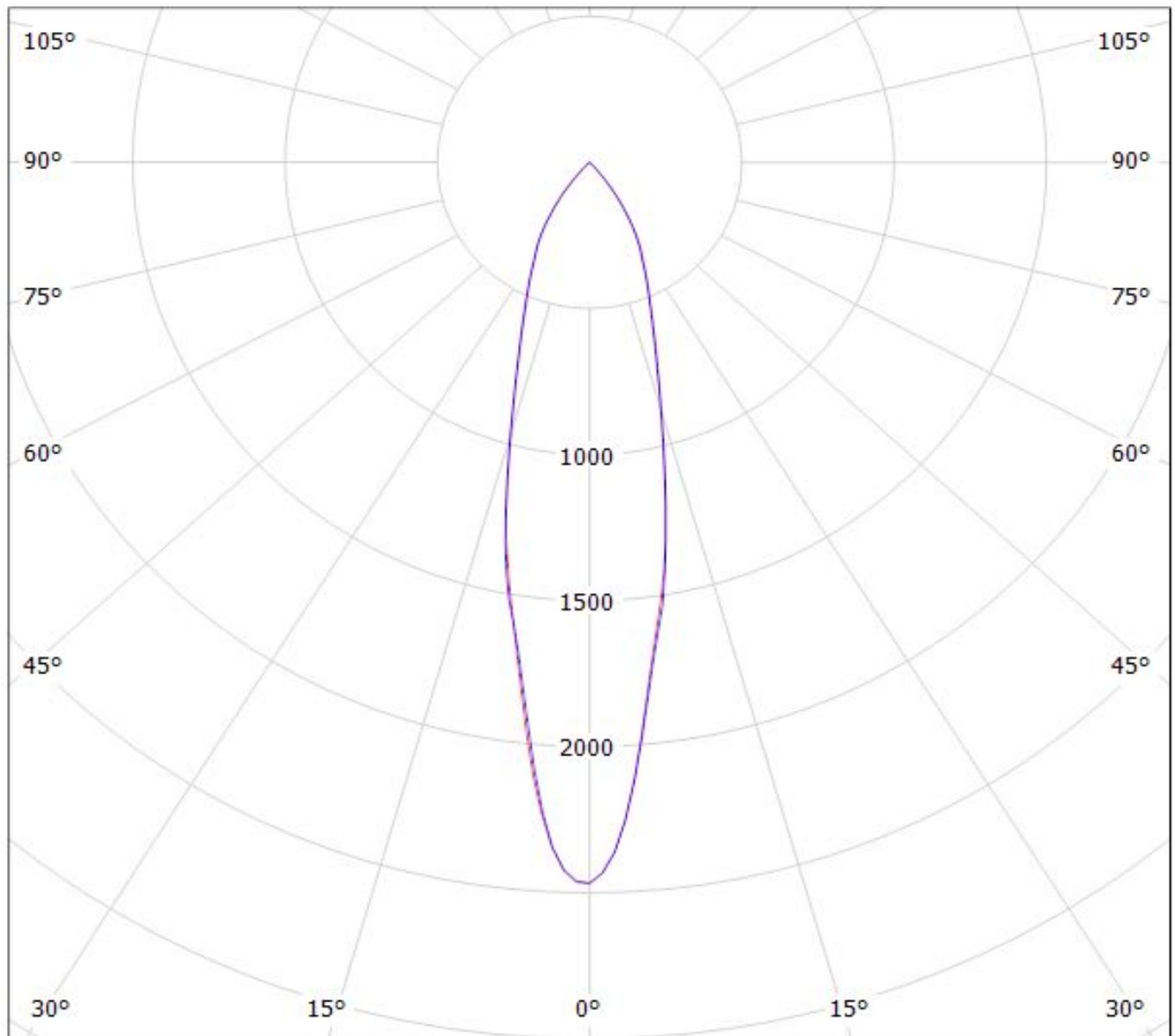
cd/klm

— C0 - C180 — C90 - C270

$\eta = 88\%$

Luminaire: LEDiL Oy C13085_MIRELLA-50-S-PF_(NFCLL060B)

Lamps: 1 x Nichia_NFCLL060B_(sm403G2450R8000)_1315.35lm@250mA_P=8.47347W_I=249.8mA



cd/klm

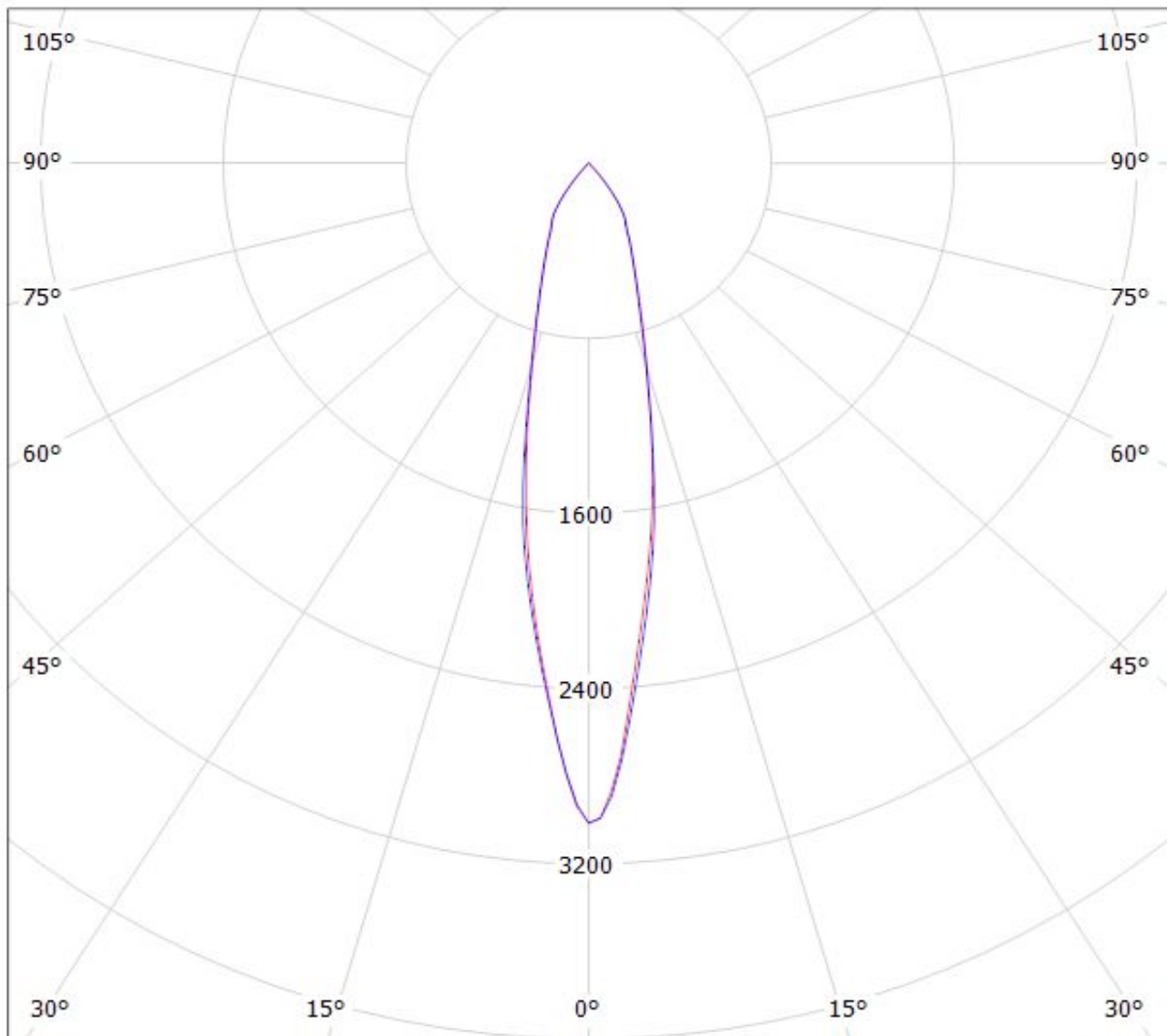
— C0 - C180

— C90 - C270

$\eta = 83\%$

Luminaire: LEDiL Oy C13085_MIRELLA-50-S-PF_(NCFL036B)

Lamps: 1 x Nichia_NFCL036B_(sm403J1300R8000)_546.369lm@100mA_P=3.34274W_I=100.1mA



cd/klm

— C0 - C180

— C90 - C270

$\eta = 84\%$

NOTE: The typical divergence will be changed by different color, chip size and chip position tolerance. The typical total divergence is the full angle measured where the luminous intensity is half of the peak value.

GENERAL INFORMATION

- Product series especially designed & optimized for series of LEDs.
- Special care taken to make light distribution as uniform as possible.

Note! Due to use of high power COB's with this product, special attention to proper thermal design is highly recommended. LEDiL has no liability for direct, indirect or consecutive damages arising from the LEDiL products being used outside of the recommended temperature range.