

2	G
1	G
SHT	REV

ADD COSMETIC NOTE FC NO: UCP2006-3051 2006/07/10 DRAWN BY: BARRA 2006/07/10 CHKD BY: ORGAN 2006/07/10 APPR: SMILLER 2006/07/11	QUALITY SYMBOLS 	GENERAL TOLERANCES (UNLESS SPECIFIED)		DIMENSION STYLE IN/MM		SCALE 4:1	DESIGN UNITS INCH	THIRD ANGLE PROJECTION		
		4 PLACES ± .005 ± .005	3 PLACES ± .005 ± .005	2 PLACES ± 0.13 ± .01	1 PLACE ± 0.25 ± .01	DRAWN BY SCHMIDGALL	DATE 1993/07/20	CHECKED BY MOS	DATE 1993/07/20	TITLE .050 PITCH LFH 160 CKT RIGHT ANGLE I/O FEMALE SALES ASSEMBLY
		ANGULAR ±1/2°				APPROVED BY BIXLER	DATE 1993/07/20	MOLEX INCORPORATED		
		DRAFT WHERE APPLICABLE MUST REMAIN WITHIN DIMENSIONS				MATERIAL NO. SEE TABLE	DOCUMENT NO. SDA-71626-200*	SHEET NO. 1 OF 2		

PART NUMBER	ENG. NUMBER	DIM. "A"
051-24-1040	71626-2000	.092
051-24-1041	71626-2001	.079
71626-2002	71626-2002	.125

NOTES:

1) MATERIALS:

HOUSING: GLASS FILLED LCP (LIQUID CRYSTAL POLYMER),
 UL 94V-0, COLOR: BLACK.
 TAIL ALIGNER: GLASS FILLED LCP (LIQUID CRYSTAL POLYMER),
 UL 94V-0, COLOR: BLACK.
 MOLDED STICK: LCP 30% GLASS FILLED, 94V-0, BLACK.
 FEMALE CONTACT: BERYLLIUM COPPER .0100±.0005 THICK.
 OUTER SHELL: LOW CARBON STEEL.
 THREADED INSERT: BRASS.

2) PLATING :

TERMINAL: .000030/(0.00076) MINIMUM GOLD IN SELECTIVE AREA;
 .000100/(0.00254) MINIMUM TIN IN SELECTIVE AREA;
 OVER NICKEL UNDERPLATE OVERALL.

OUTER SHELL: .000150/(0.00381) MINIMUM TIN OVER
 .000050/(0.00127) MINIMUM NICKEL OVER
 COPPER FLASH (OPTIONAL).

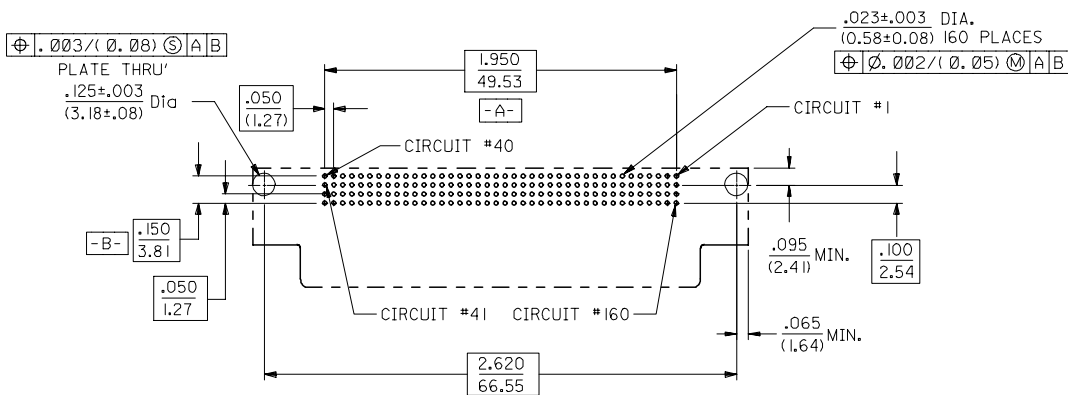
3) THIS PART CONFORMS TO MOLEX PRODUCT SPECIFICATION PS-71626.

4) PACKAGING SPECIFICATION PK-70873-0229 APPLIES.

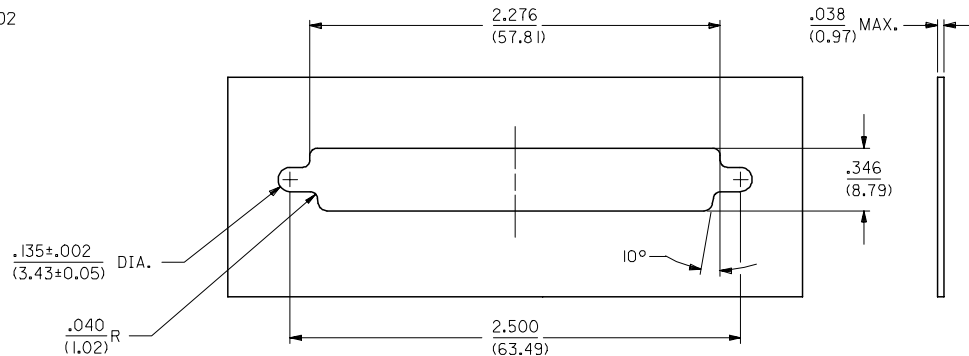
5) PART COMPLIES WITH CLASS B OF COSMETIC SPECIFICATION PS-45499-002

NOTE FOR LEAD FREE CONVERSION:

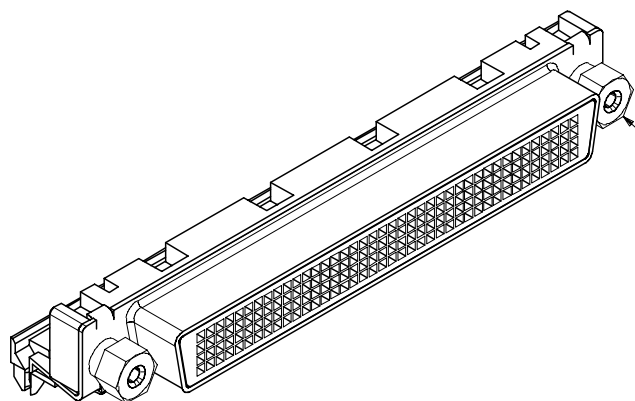
THE PRIMARY SHIPPING CARTON WILL BE
 LABELED 'COMPLIANT TO RoHS DIRECTIVE
 2002/95/EC AND ELV ANNEX II OF
 DIRECTIVE 2000/53/EC'. CARTONS
 WITHOUT THIS LABEL MAY CONTAIN
 PRODUCT WITH LEAD.



RECOMMENDED PC BOARD LAYOUT
 COMPONENT SIDE



PANEL CUT-OUT DIMENSIONS
 ALL TOLERANCES ±.003/(0.08)
 UNLESS OTHERWISE STATED.



FOR OPTIONAL HARDWARE DETAILS
 SEE SDA-71629-*****

ADD NOTE 5 FC NO: UCP2006-3051 DRW:MS:BARRA 2006/07/10 CHK:D:ORGAN 2006/07/10 APPR:SMILLER 2006/07/11	QUALITY SYMBOLS ▽=0 ▽=0	GENERAL TOLERANCES (UNLESS SPECIFIED)		DIMENSION STYLE IN/MM		SCALE 2:1	DESIGN UNITS INCH	THIRD ANGLE PROJECTION	
		4 PLACES ± --- ± ---	3 PLACES ± --- ± .010	DRAWN BY SCHMIDGALL	DATE 1993/07/20	TITLE .050 PITCH LFH 160 CKT RIGHT ANGLE I/O FEMALE SALES ASSEMBLY			
		2 PLACES ± 0.25 ± ---	1 PLACE ± --- ± ---	CHECKED BY MOS	DATE 1993/07/20	MOLEX INCORPORATED			
		ANGULAR ±1/2°		APPROVED BY BIXLER	DATE 1993/07/20				
DRAFT WHERE APPLICABLE MUST REMAIN WITHIN DIMENSIONS		SEE TABLE		MATERIAL NO. SDA-71626-200*	DOCUMENT NO.	SHEET NO. 2 OF 2			