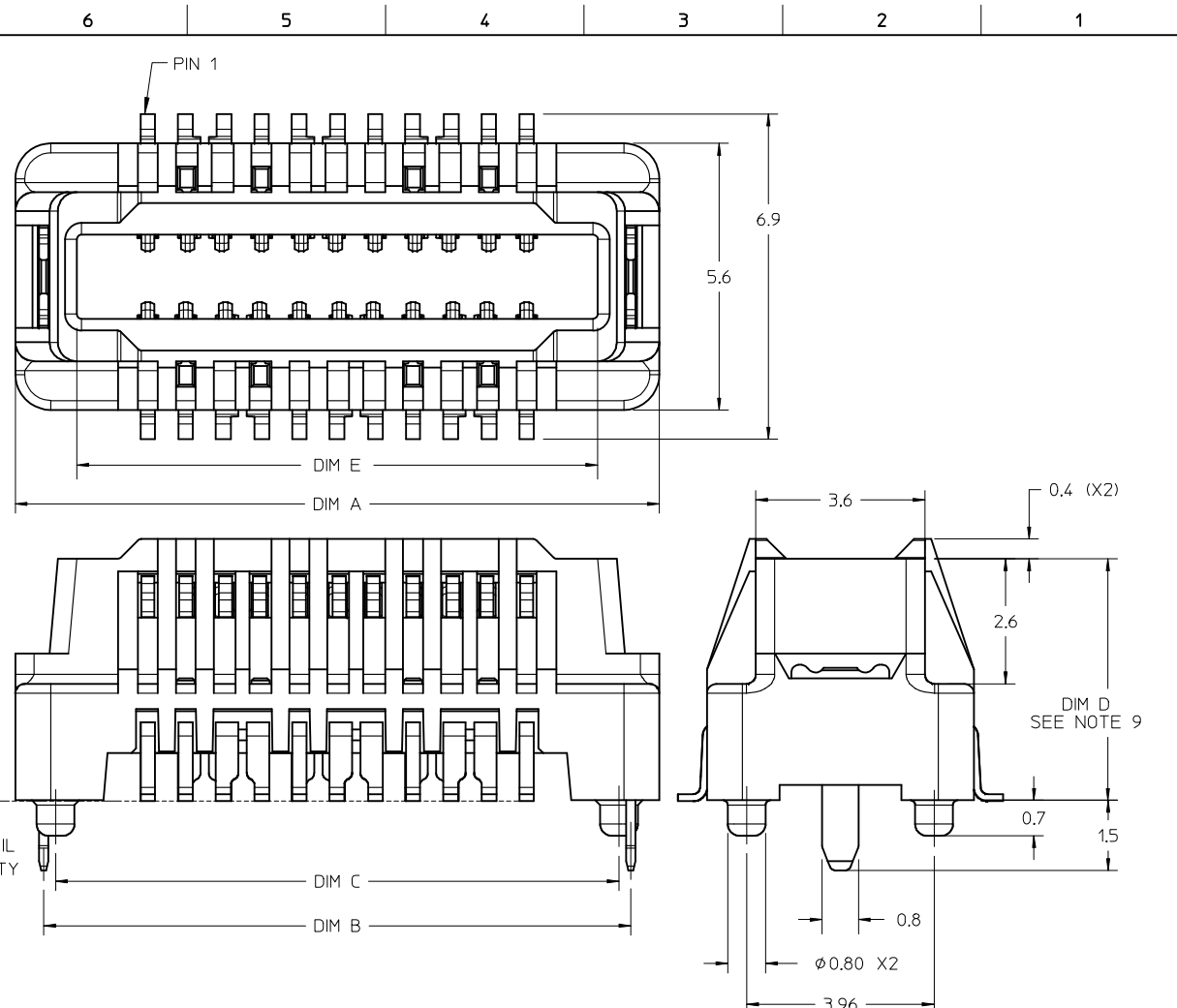


10	9	8	7	6	5	4	3	2	1
PART NUMBER	CKT SIZE	DIFF PAIRS	SPARE CKTS	DIM A	DIM B	DIM C	DIM E	DIM D	
171450-0101	22	6	2	13.6	12.40	11.90	11.0	3.10	
171450-0102								4.10	
171450-0105	60	16	8	28.8	27.60	27.10	26.2	3.10	
171450-0106								4.10	
171450-0109	120	32	16	56.8	55.60	55.10	26.2	3.10	
171450-0110								4.10	



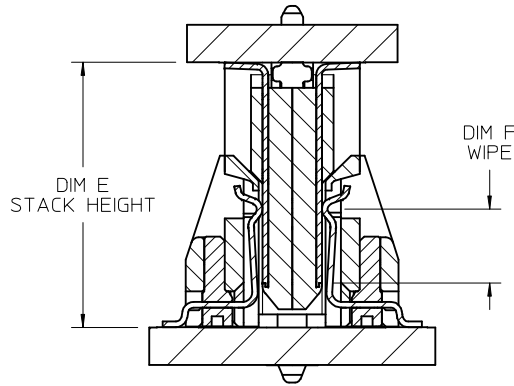
- NOTES:
1. MATERIALS: HOUSING: LCP, UL94V-0, BLACK
CONTACTS: HIGH PERFORMANCE COPPER ALLOY
 2. FINISH: 0.76 μm MIN SELECT GOLD IN CONTACT AREA,
SELECT TIN IN TAIL AREA, OVERALL NICKEL.
 3. PRODUCT SPECIFICATION: PS-171446-0001
 4. PACKAGING SPECIFICATION: PK-70873-6002
 5. MATES WITH SPEEDSTACK PLUG: 171446
 6. APPLICATION SPECIFICATION: AS-171450-9999
 7. COSMETIC SPECIFICATION: PS-45499-002 CLASS B
 8. PART STATUS: CONTACT MOLEX
 9. DIM D ON THIS DRAWING PLUS DIM D ON DRAWING # SD-171446-1000
EQUALS THE SYSTEM MATED STACK HEIGHT
 10. PARTS SHIPPED WITH PICK AND PLACE COVERS.

REVISED EDGE CARDS	EC NO: UCP2015-5331	DRAWN: J.BINGHAM 2015/08/25	CHKD:DMCCOWAN 2015/08/25	APPR:DMCCOWAN 2015/09/18	QUALITY SYMBOLS	GENERAL TOLERANCES (UNLESS SPECIFIED)		DIMENSION STYLE		SCALE 10:1	DESIGN UNITS METRIC	THIRD ANGLE PROJECTION
						mm	INCH	MM ONLY				
D						4 PLACES	± ---	± ---	DRAWN BY	DATE	TITLE RECEPTACLE ASSEMBLY SPEEDSTACK CONNECTOR	
						3 PLACES	± ---	± ---	TGREGORI	2013/03/25		
						2 PLACES	± 0.13	± ---	CHECKED BY	DATE		
						1 PLACE	± 0.25	± ---	APPROVED BY	DATE		
						0 PLACE	± ---	± ---	JCOMERCI	2013/04/24		
ANGULAR ±1/2° DRAFT WHERE APPLICABLE MUST REMAIN WITHIN DIMENSIONS						MATERIAL NO.		SEE TABLE		DOCUMENT NO.	SHEET NO.	
						SIZE B		THIS DRAWING CONTAINS INFORMATION THAT IS PROPRIETARY TO MOLEX INCORPORATED AND SHOULD NOT BE USED WITHOUT WRITTEN PERMISSION		SD-171450-0000	1 OF 8	

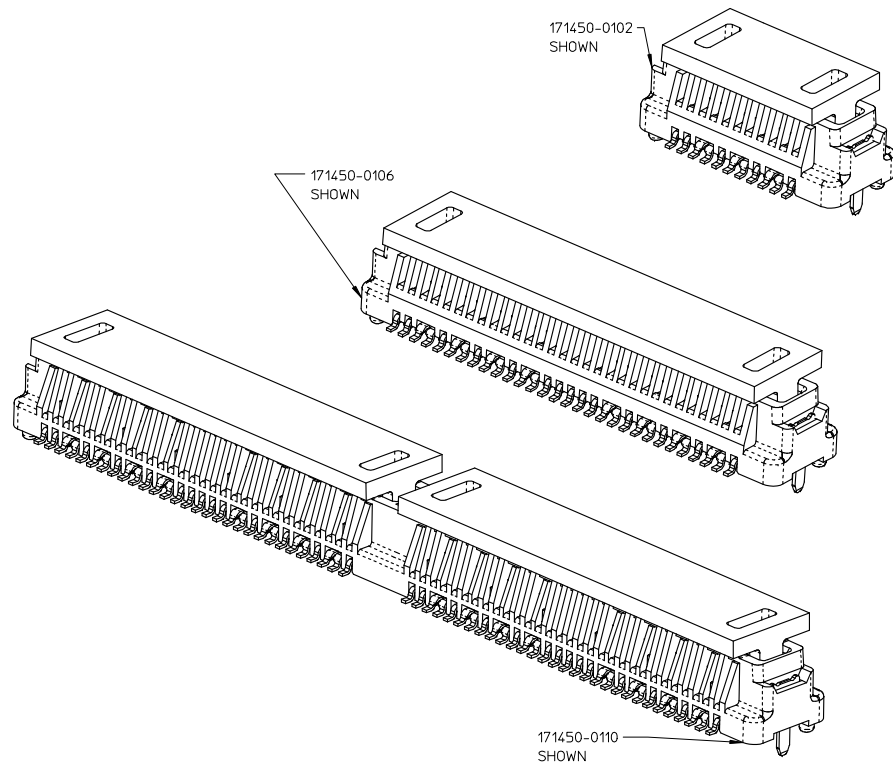
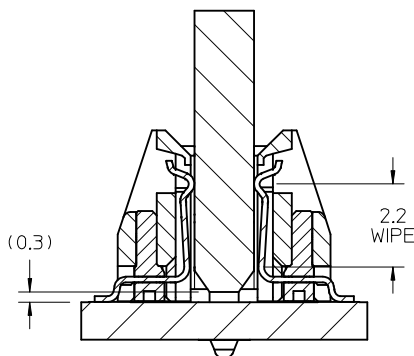
MEZZANINE (PLUG & RECEPTACLE) STACKING CHART

		PLUG OPTIONS (1mm WIPE)				PLUG OPTIONS (2mm WIPE)					
		HEIGHT	1mm	2mm	3mm	4mm	1mm	2mm	3mm	4mm	
22 CKT	171446-1101	171446-1102	171446-1103	171446-1104	171446-1105	171446-1106	171446-1107	171446-1108			
60 CKT	171446-1109	171446-1110	171446-1111	171446-1112	171446-1113	171446-1114	171446-1115	171446-1116			
RECEPTACLE OPTIONS	22 CKT	171450-0101	3mm	4/1	5/1	6/1	7/1	N/A	N/A	N/A	N/A
	60 CKT	171450-0105									
	120 CKT	171450-0109									
	22 CKT	171450-0102	4mm	5/1	6/1	7/1	8/1	5/2	6/2	7/2	8/2
	60 CKT	171450-0106									
	120 CKT	171450-0110									
CIRCUITS	MOLEX P/N	HEIGHT	STACK HEIGHT (DIM E)/WIPE (DIM F)								

MEZZANINE APPLICATION
(PLUG & RECEPTACLE)

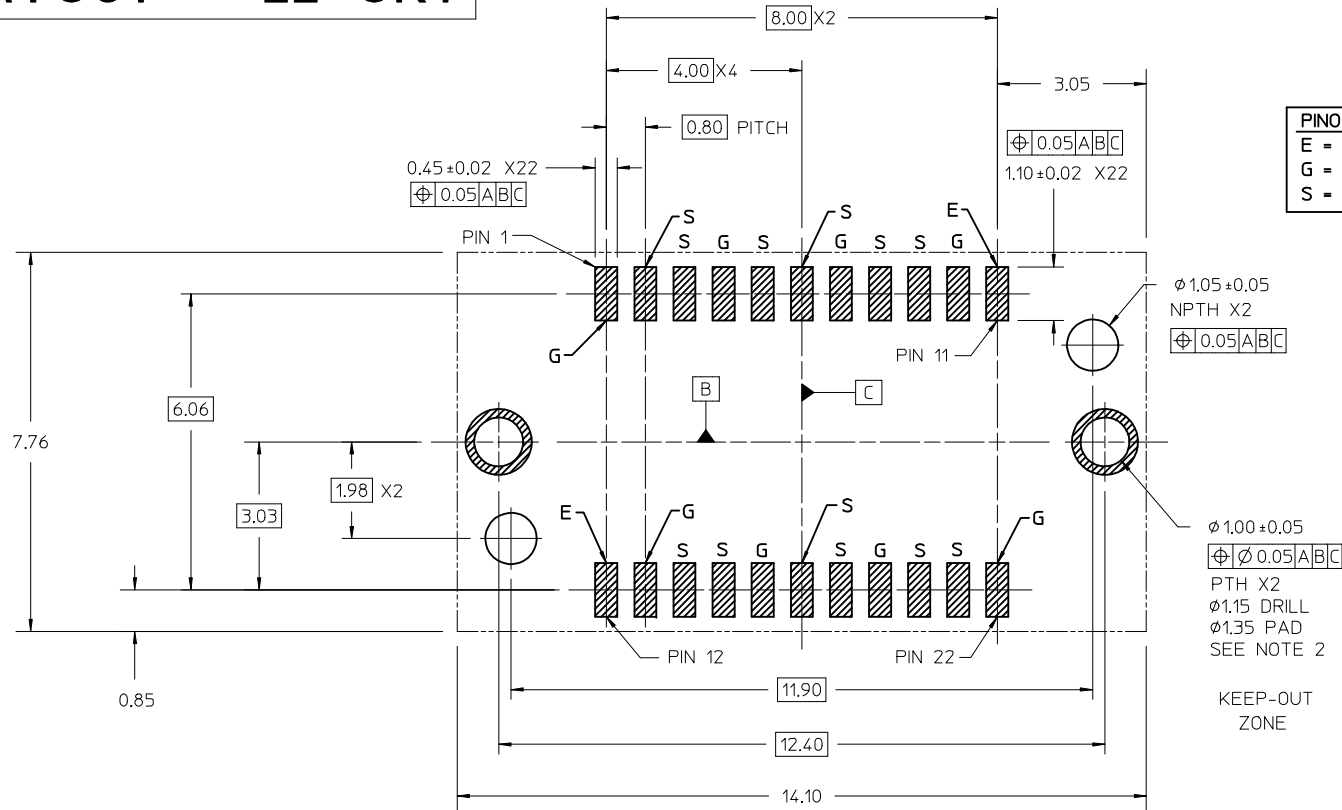


EDGE CARD APPLICATION
SEE NOTE 3 ON SHEETS
6, 7 & 8



SEE SHEET 1 EC NO: UCP2015-5331 DRAWN: BINGHAM 2015/08/25 CHKD: MCGOWAN 2015/08/25 APPR: MCGOWAN 2015/09/18	QUALITY SYMBOLS ∇=0 ∇=0 ∇=0	GENERAL TOLERANCES (UNLESS SPECIFIED) <table border="1"> <thead> <tr> <th></th> <th>mm</th> <th>INCH</th> </tr> </thead> <tbody> <tr> <td>4 PLACES</td> <td>± ---</td> <td>± ---</td> </tr> <tr> <td>3 PLACES</td> <td>± ---</td> <td>± ---</td> </tr> <tr> <td>2 PLACES</td> <td>± 0.13</td> <td>± ---</td> </tr> <tr> <td>1 PLACE</td> <td>± 0.25</td> <td>± ---</td> </tr> <tr> <td>0 PLACE</td> <td>± ---</td> <td>± ---</td> </tr> </tbody> </table>		mm	INCH	4 PLACES	± ---	± ---	3 PLACES	± ---	± ---	2 PLACES	± 0.13	± ---	1 PLACE	± 0.25	± ---	0 PLACE	± ---	± ---	DIMENSION STYLE MM ONLY DRAWN BY: TGREGORI DATE: 2013/03/25 CHECKED BY: DATE:	SCALE: 10:1 DESIGN UNITS: METRIC THIRD ANGLE PROJECTION	RECEPTACLE ASSEMBLY SPEEDSTACK CONNECTOR molex DOCUMENT NO. SD-171450-0000 SHEET NO. 2 OF 8
		mm	INCH																				
	4 PLACES	± ---	± ---																				
	3 PLACES	± ---	± ---																				
2 PLACES	± 0.13	± ---																					
1 PLACE	± 0.25	± ---																					
0 PLACE	± ---	± ---																					
DRAFT WHERE APPLICABLE MUST REMAIN WITHIN DIMENSIONS	ANGULAR ±1/2° MATERIAL NO. SEE CHART DATE: 2013/04/24 APPROVED BY: JCOMERC I	THIS DRAWING CONTAINS INFORMATION THAT IS PROPRIETARY TO MOLEX INCORPORATED AND SHOULD NOT BE USED WITHOUT WRITTEN PERMISSION																					

PCB LAYOUT - 22 CKT



PINOUT LEGEND
 E = EXTRA
 G = GROUND
 S = SIGNAL

PCB LAYOUT (COMPONENT SIDE)

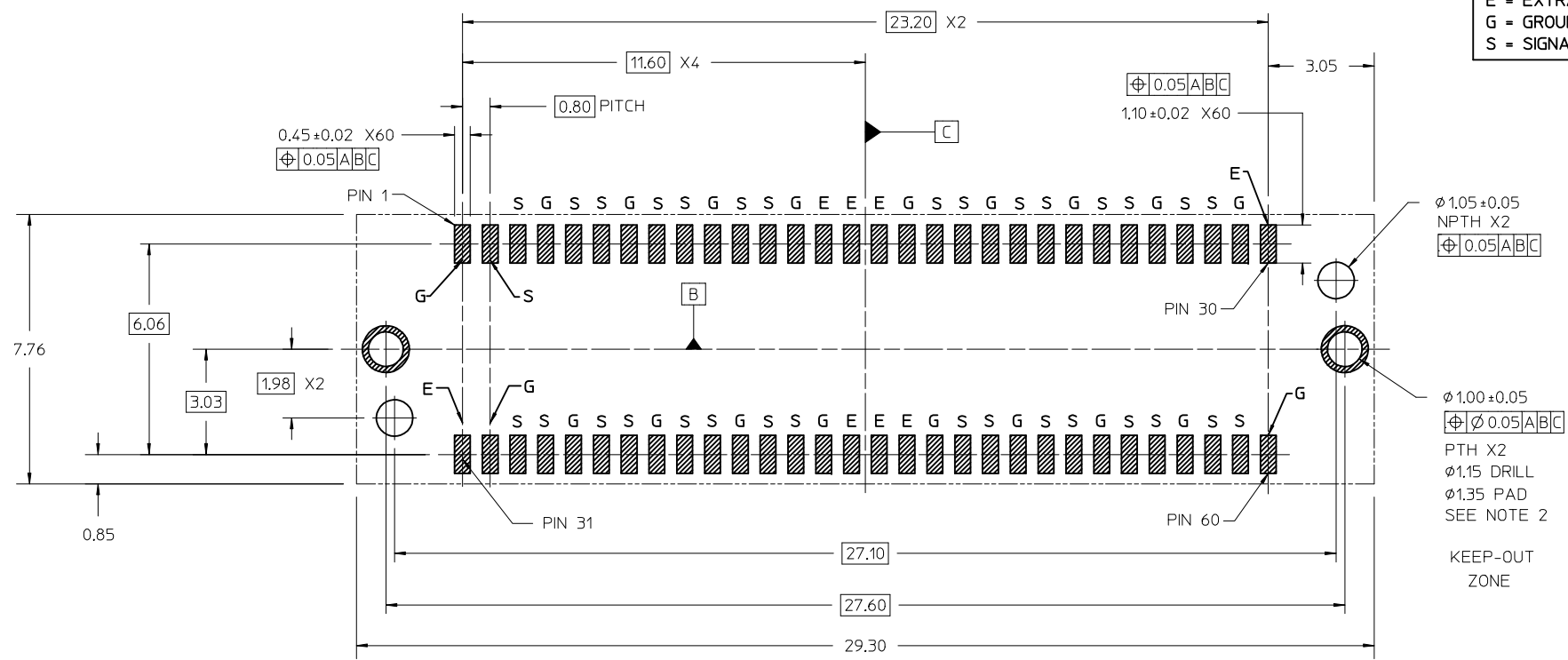
SOLDER PASTE THICKNESS: 0.15 MIN
 DATUM **A** IS THE BOTTOM SURFACE OF THE PCB

- NOTES:
- PIN NUMBERING IS FOR REFERENCE ONLY. OTHER PIN NUMBERS WILL NOT AFFECT THE OPERATION OF THE CONNECTOR.
 - RETENTION NAIL MUST BE SOLDERED ONTO THE PCB FOR PROPER CONNECTOR FUNCTION.

SEE SHEET 1 EC NO: UCP2015-5331 DRAWN: IBINGHAM 2015/08/25 CHKD: DMCCOWAN 2015/08/25 APPR: DMCCOWAN 2015/09/18	QUALITY SYMBOLS	GENERAL TOLERANCES (UNLESS SPECIFIED)	DIMENSION STYLE MM ONLY	SCALE 10:1	DESIGN UNITS METRIC	THIRD ANGLE PROJECTION
		mm INCH	DRAWN BY DATE TGREGORI 2013/03/25	TITLE RECEPTACLE ASSEMBLY SPEEDSTACK CONNECTOR		
		4 PLACES ± --- ± --- 3 PLACES ± --- ± --- 2 PLACES ± 0.13 ± --- 1 PLACE ± 0.25 ± --- 0 PLACE ± --- ± ---	CHECKED BY DATE	APPROVED BY DATE JCOMERC I 2013/04/24		
		ANGULAR ± 1/2° DRAFT WHERE APPLICABLE MUST REMAIN WITHIN DIMENSIONS	MATERIAL NO.	DOCUMENT NO. SD-171450-0000	SHEET NO. 3 OF 8	
			SIZE B	THIS DRAWING CONTAINS INFORMATION THAT IS PROPRIETARY TO MOLEX INCORPORATED AND SHOULD NOT BE USED WITHOUT WRITTEN PERMISSION		

PCB LAYOUT - 60 CKT

PINOUT LEGEND	
E	= EXTRA
G	= GROUND
S	= SIGNAL



PCB LAYOUT (COMPONENT SIDE)

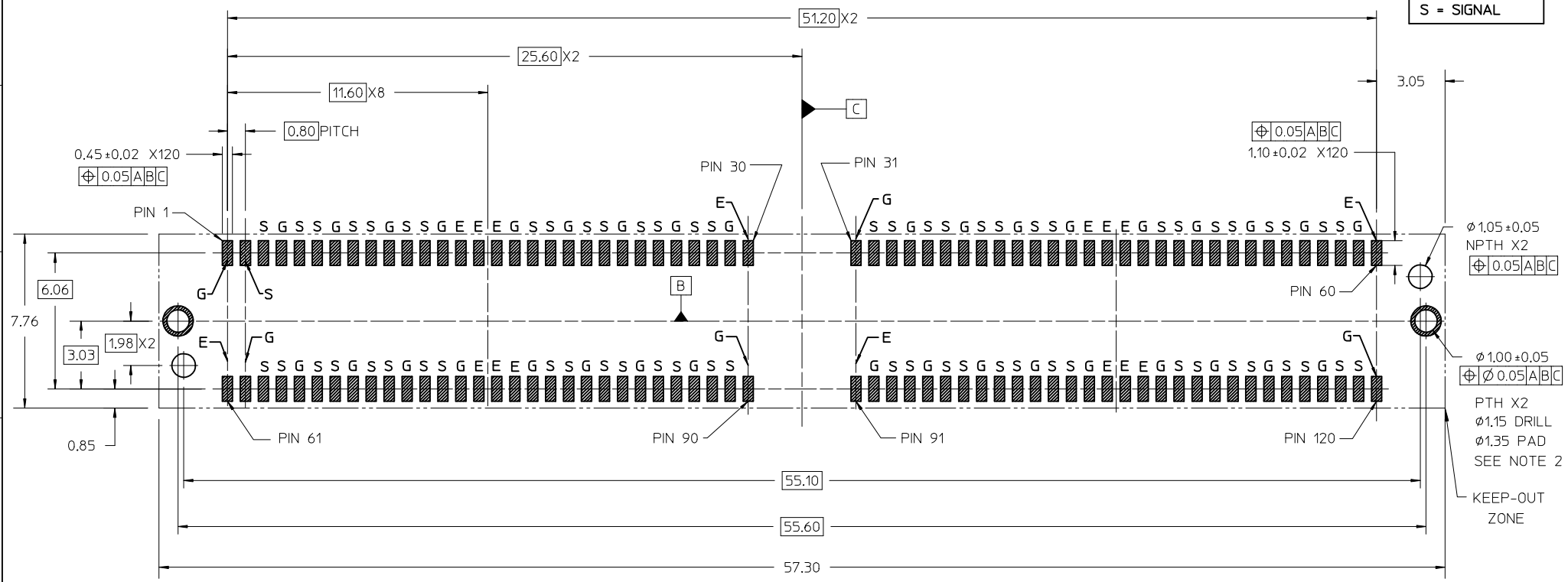
SOLDER PASTE THICKNESS: 0.15 MIN
 DATUM **A** IS THE BOTTOM SURFACE OF THE PCB

- NOTES:
- PIN NUMBERING IS FOR REFERENCE ONLY. OTHER PIN NUMBERS WILL NOT AFFECT THE OPERATION OF THE CONNECTOR.
 - RETENTION NAIL MUST BE SOLDERED ONTO THE PCB FOR PROPER CONNECTOR FUNCTION.

SEE SHEET 1 EC NO: UCP2015-5331 DRAWN: IBINGHAM 2015/08/25 CHKD: DMCCOWAN 2015/08/25 APPR: DMCCOWAN 2015/09/18	QUALITY SYMBOLS	GENERAL TOLERANCES (UNLESS SPECIFIED)	DIMENSION STYLE MM ONLY	SCALE 8:1	DESIGN UNITS METRIC	THIRD ANGLE PROJECTION	
	DESCRIPTION REV		mm INCH	DRAWN BY DATE TGREGORI 2013/03/25	TITLE RECEPTACLE ASSEMBLY SPEEDSTACK CONNECTOR		
				CHECKED BY DATE			
				APPROVED BY DATE JCOMERCI 2013/04/24	DOCUMENT NO. SD-171450-0000		
				MATERIAL NO.			
		ANGULAR ±1/2° DRAFT WHERE APPLICABLE MUST REMAIN WITHIN DIMENSIONS	SIZE B	THIS DRAWING CONTAINS INFORMATION THAT IS PROPRIETARY TO MOLEX INCORPORATED AND SHOULD NOT BE USED WITHOUT WRITTEN PERMISSION			

PCB LAYOUT - 120 CKT

PINOUT LEGEND	
E	= EXTRA
G	= GROUND
S	= SIGNAL



PCB LAYOUT (COMPONENT SIDE)

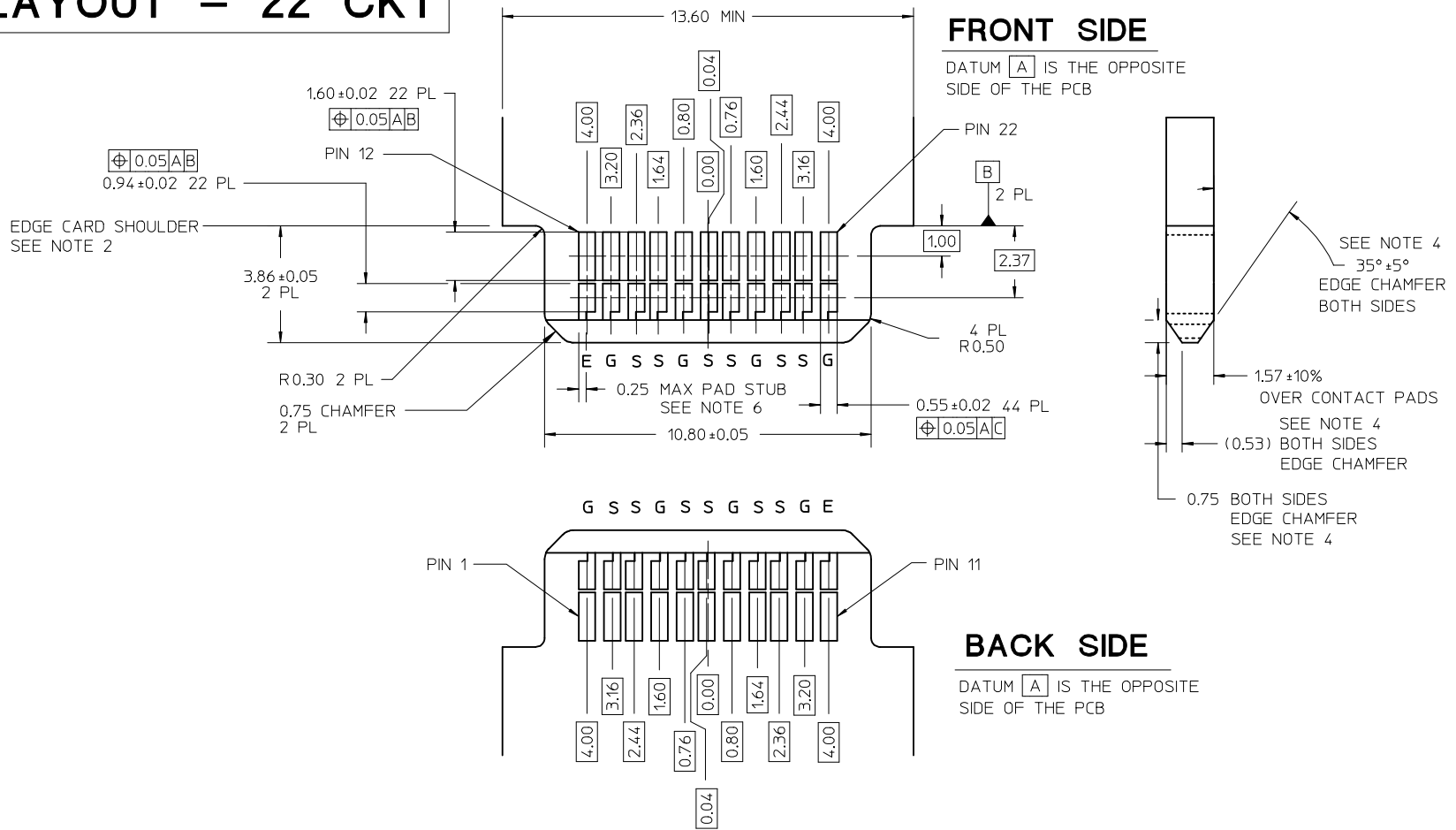
SOLDER PASTE THICKNESS: 0.15 MIN
 DATUM **A** IS THE BOTTOM SURFACE OF THE PCB

- NOTES:
- PIN NUMBERING IS FOR REFERENCE ONLY. OTHER PIN NUMBERS WILL NOT AFFECT THE OPERATION OF THE CONNECTOR.
 - RETENTION NAIL MUST BE SOLDERED ONTO THE PCB FOR PROPER CONNECTOR FUNCTION.

SEE SHEET 1 EC NO: UCP2015-5331 DRAWN: JBINGHAM 2015/08/25 CHKD: DMCCOWAN 2015/08/25 APPR: DMCCOWAN 2015/09/18	QUALITY SYMBOLS	GENERAL TOLERANCES (UNLESS SPECIFIED)	DIMENSION STYLE MM ONLY	SCALE 6:1	DESIGN UNITS METRIC	THIRD ANGLE PROJECTION
		mm INCH	DRAWN BY DATE TGREGORI 2013/03/25	TITLE RECEPTACLE ASSEMBLY SPEEDSTACK CONNECTOR 		
			CHECKED BY DATE			
			APPROVED BY DATE JCOMERCI 2013/04/24	MATERIAL NO.	DOCUMENT NO.	SHEET NO.
			ANGULAR ±1/2° DRAFT WHERE APPLICABLE MUST REMAIN WITHIN DIMENSIONS	SEE SHEET 1	SD-171450-0000	5 OF 8

THIS DRAWING CONTAINS INFORMATION THAT IS PROPRIETARY TO MOLEX INCORPORATED AND SHOULD NOT BE USED WITHOUT WRITTEN PERMISSION

EDGE CARD LAYOUT - 22 CKT



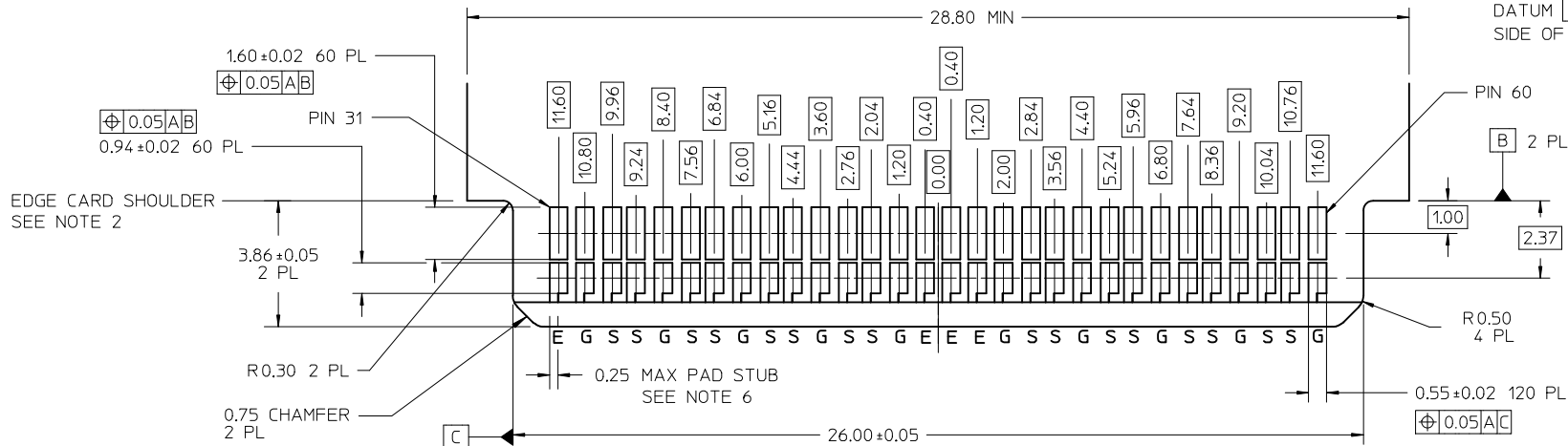
- NOTES:
- PIN NUMBERING IS FOR REFERENCE ONLY. OTHER PIN NUMBERS WILL NOT AFFECT THE OPERATION OF THE CONNECTOR.
 - EDGE CARD SHOULDERS STOP ON RECEPTACLE SHOULDERS. EDGE CARD BOTTOM DOES NOT CONTACT RECEPTACLE PCB.
 - PAD SET BACK FROM CHAMFER ENOUGH TO ACCOMMODATE LARGEST CHAMFER WITHOUT DAMAGE TO PAD EDGE.
 - CHAMFER DEPTH SHOULD BE AS LARGE AS PRACTICAL TO ENSURE CORRECT MATING TO THE RECEPTACLE.
 - ALL CHAMFERED EDGES SHOULD BE ROUNDED WHERE POSSIBLE.
 - INTERNAL PLATING BRIDGES ARE PREFERRED TO ELIMINATE PAD STUB.

SEE SHEET 1	EC NO: UCP2015-5331	QUALITY SYMBOLS	GENERAL TOLERANCES (UNLESS SPECIFIED)		DIMENSION STYLE		SCALE	DESIGN UNITS	THIRD ANGLE PROJECTION	
	DRWN: JBINGHAM 2015/08/25	▽=0	mm	INCH	MM ONLY		7:1	METRIC	RECEPTACLE ASSEMBLY SPEEDSTACK CONNECTOR	
	CHKD: DMCCOWAN 2015/08/25	▽=0	4 PLACES ± --- ± ---		DRAWN BY	DATE	TITLE			
	APPR: DMCCOWAN 2015/09/18	▽=0	3 PLACES ± --- ± ---		TGREGORI	2013/03/25	SD-171450-0000	SHEET NO.		
			2 PLACES ± 0.13 ± ---		CHECKED BY	DATE		6 OF 8		
			1 PLACE ± 0.25 ± ---		APPROVED BY	DATE				
			0 PLACE ± --- ± ---		JCOMERCI	2013/04/24				
			ANGULAR ± 1/2°		MATERIAL NO.					
			DRAFT WHERE APPLICABLE		SEE SHEET 1					
			MUST REMAIN WITHIN DIMENSIONS		SIZE					
					B	THIS DRAWING CONTAINS INFORMATION THAT IS PROPRIETARY TO MOLEX INCORPORATED AND SHOULD NOT BE USED WITHOUT WRITTEN PERMISSION				

EDGECARD LAYOUT - 60 CKT

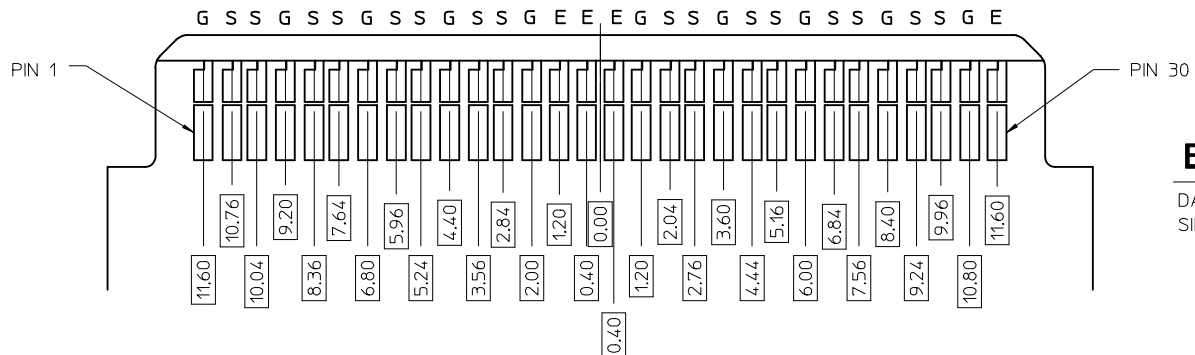
FRONT SIDE

DATUM **A** IS THE OPPOSITE SIDE OF THE PCB



BACK SIDE

DATUM **A** IS THE OPPOSITE SIDE OF THE PCB



NOTES:

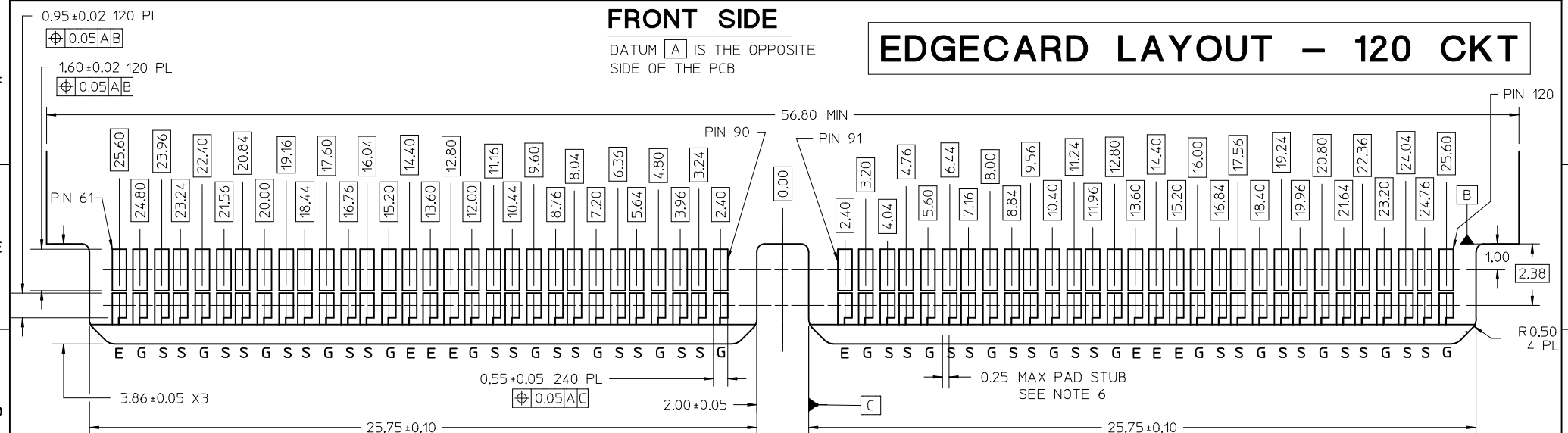
- PIN NUMBERING IS FOR REFERENCE ONLY. OTHER PIN NUMBERS WILL NOT AFFECT THE OPERATION OF THE CONNECTOR.
- EDGE CARD SHOULDERS STOP ON RECEPTACLE SHOULDERS. EDGE CARD BOTTOM DOES NOT CONTACT RECEPTACLE PCB.
- PAD SET BACK FROM CHAMFER ENOUGH TO ACCOMMODATE LARGEST CHAMFER WITHOUT DAMAGE TO PAD EDGE.
- CHAMFER DEPTH SHOULD BE AS LARGE AS PRACTICAL TO ENSURE CORRECT MATING TO THE RECEPTACLE.
- ALL CHAMFERED EDGES SHOULD BE ROUNDED WHERE POSSIBLE.
- INTERNAL PLATING BRIDGES ARE PREFERRED TO ELIMINATE PAD STUB.

SEE SHEET 1 EC NO: UCP2015-5331 DRWN: JBRINGHAM 2015/08/25 CHKD: DMCCOWAN 2015/08/25 APPR: DMCCOWAN 2015/09/18	DESCRIPTION REV	QUALITY SYMBOLS	GENERAL TOLERANCES (UNLESS SPECIFIED)	DIMENSION STYLE	SCALE	DESIGN UNITS	THIRD ANGLE PROJECTION	
		$\nabla = 0$ $\nabla = 0$ $\nabla = 0$	mm INCH 4 PLACES ± --- ± --- 3 PLACES ± --- ± --- 2 PLACES ± 0.13 ± --- 1 PLACE ± 0.25 ± --- 0 PLACE ± --- ± ---	MM ONLY	7:1	METRIC	DRAWN BY: TGREGORI DATE: 2013/03/25 CHECKED BY: _____ DATE: _____	RECEPTACLE ASSEMBLY SPEEDSTACK CONNECTOR molex
		ANGULAR ± 1/2° DRAFT WHERE APPLICABLE MUST REMAIN WITHIN DIMENSIONS	APPROVED BY: JCOMERC I DATE: 2013/04/24	MATERIAL NO. SEE SHEET 1	DOCUMENT NO. SD-171450-0000	SHEET NO. 7 OF 8		
		SIZE B	THIS DRAWING CONTAINS INFORMATION THAT IS PROPRIETARY TO MOLEX INCORPORATED AND SHOULD NOT BE USED WITHOUT WRITTEN PERMISSION					

EDGE CARD LAYOUT – 120 CKT

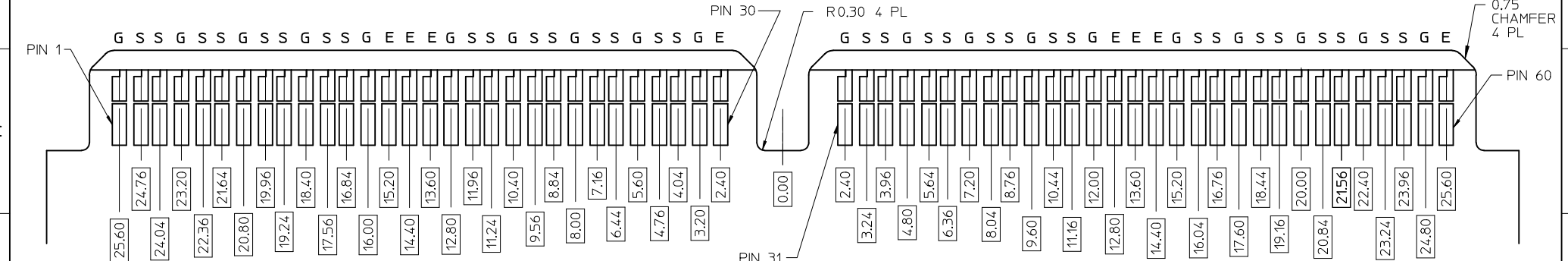
FRONT SIDE

DATUM **A** IS THE OPPOSITE SIDE OF THE PCB



BACK SIDE

DATUM **A** IS THE OPPOSITE SIDE OF THE PCB



- NOTES:
- PIN NUMBERING IS FOR REFERENCE ONLY. OTHER PIN NUMBERS WILL NOT AFFECT THE OPERATION OF THE CONNECTOR.
 - EDGE CARD SHOULDERS STOP ON RECEPTACLE SHOULDERS. EDGE CARD BOTTOM DOES NOT CONTACT RECEPTACLE PCB.
 - PAD SET BACK FROM CHAMFER ENOUGH TO ACCOMMODATE LARGEST CHAMFER WITHOUT DAMAGE TO PAD EDGE.
 - CHAMFER DEPTH SHOULD BE AS LARGE AS PRACTICAL TO ENSURE CORRECT MATING TO THE RECEPTACLE.
 - ALL CHAMFERED EDGES SHOULD BE ROUNDED WHERE POSSIBLE.
 - INTERNAL PLATING BRIDGES ARE PREFERRED TO ELIMINATE PAD STUB.

SEE SHEET 1 EC NO: UCP2015-5331 DRWN: JBINGHAM 2015/08/25 CHKD: DMCCOWAN 2015/08/25 APPR: DMCCOWAN 2015/09/18	QUALITY SYMBOLS $\nabla F=0$ $\nabla E=0$ $\nabla D=0$	GENERAL TOLERANCES (UNLESS SPECIFIED)		DIMENSION STYLE MM ONLY		SCALE 7:1	DESIGN UNITS METRIC	THIRD ANGLE PROJECTION			
		4 PLACES ± --- ± ---	3 PLACES ± --- ± ---	DRAWN BY TGREGORI	DATE 2013/03/25	TITLE RECEPTACLE ASSEMBLY SPEEDSTACK CONNECTOR					
		2 PLACES ± 0.13 ± ---	1 PLACE ± 0.25 ± ---	CHECKED BY JCOMERC I	DATE 2013/04/24	APPROVED BY JCOMERC I					
		0 PLACE ± --- ± ---	ANGULAR ± 1/2° DRAFT WHERE APPLICABLE MUST REMAIN WITHIN DIMENSIONS		MATERIAL NO. SEE SHEET 1	DOCUMENT NO. SD-171450-0000	SHEET NO. 8 OF 8	THIS DRAWING CONTAINS INFORMATION THAT IS PROPRIETARY TO MOLEX INCORPORATED AND SHOULD NOT BE USED WITHOUT WRITTEN PERMISSION			