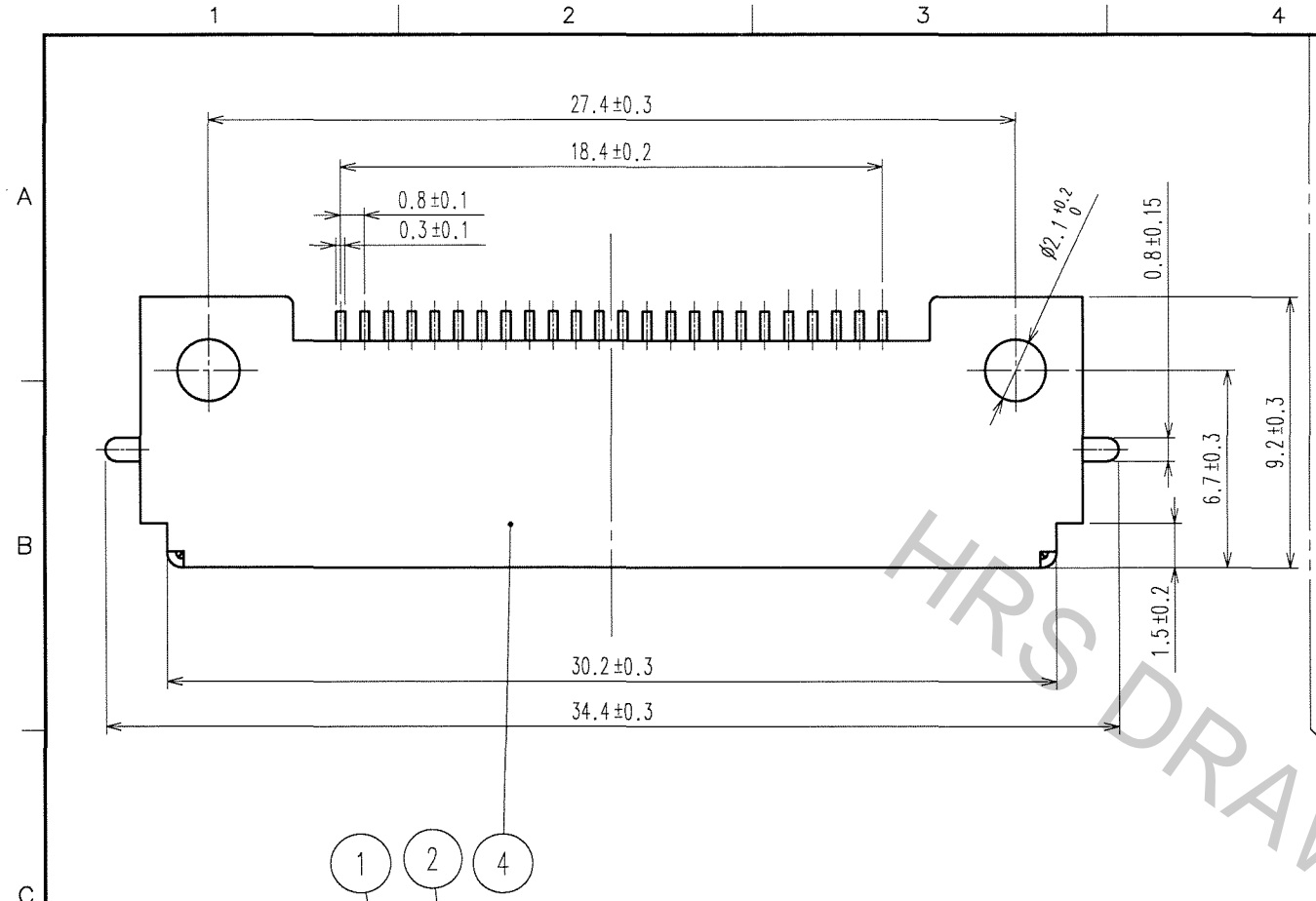


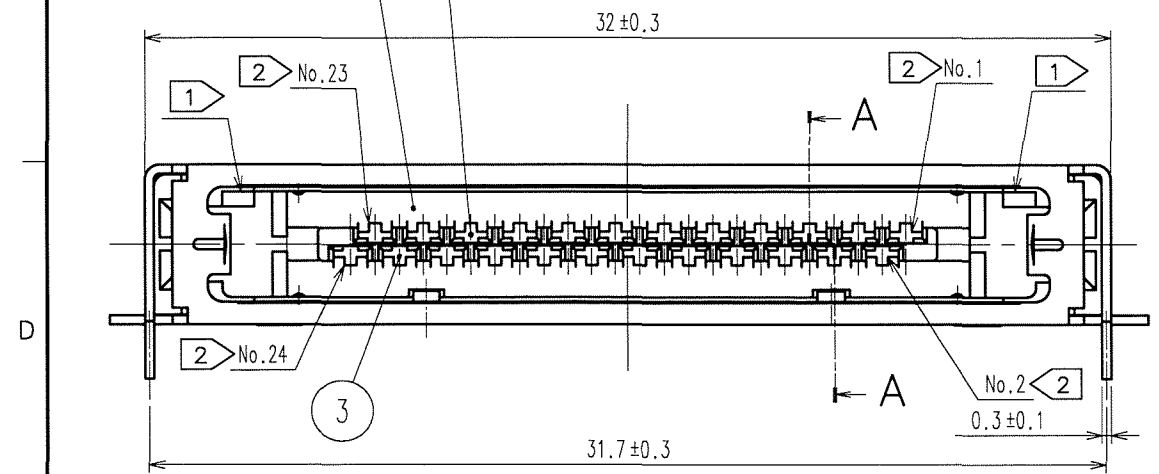
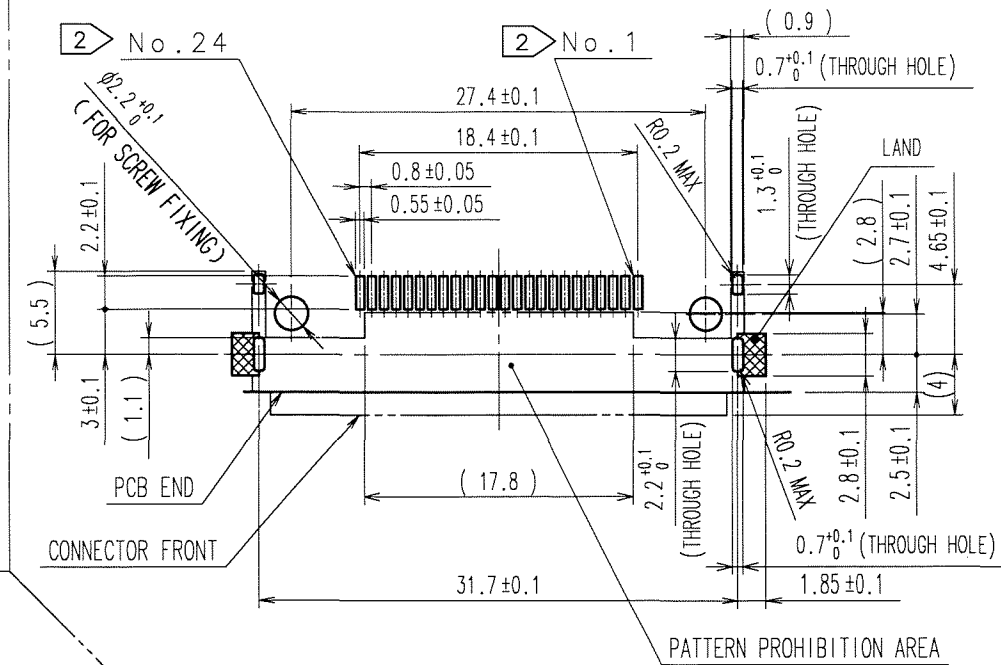
Apr.1.2017 Copyright 2017 HIROSE ELECTRIC CO., LTD. All Rights Reserved.

COUNT	DESCRIPTION OF REVISIONS	BY	CHKD	DATE	COUNT	DESCRIPTION OF REVISIONS	BY	CHKD	DATE
1	DIS-E-001087	T.T	Y.E	06.11.13					

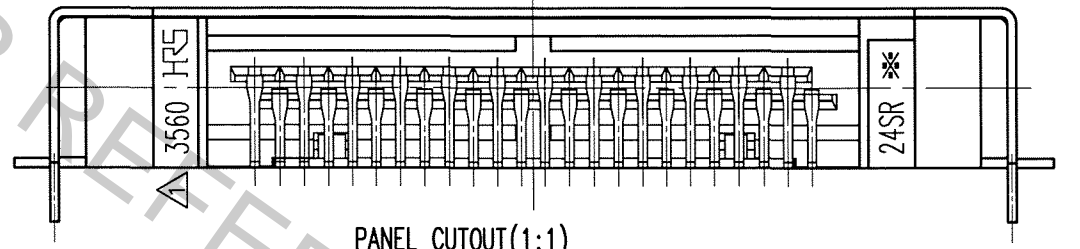
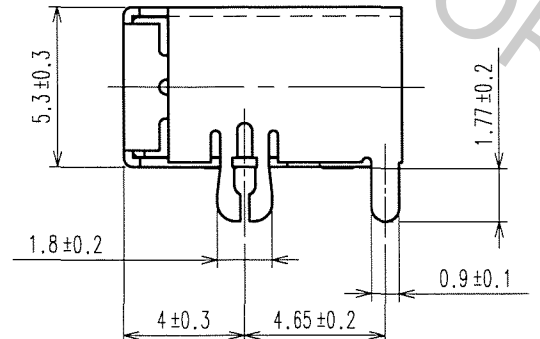


1 FIG.1 PLUG MATED FIGURE(1:1)

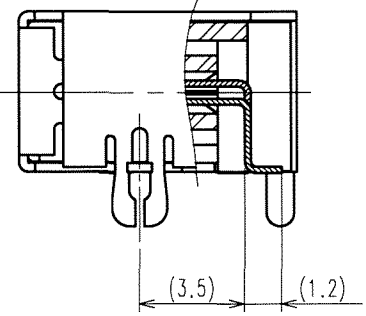
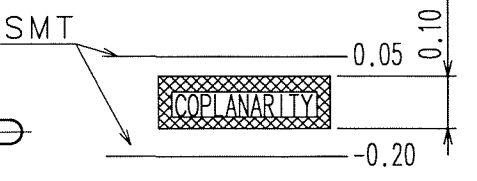
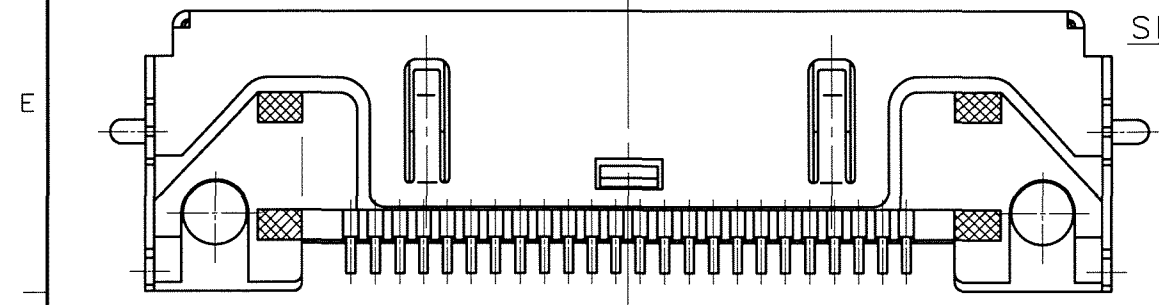
RECOMMENDED PC BOARD PATTERN [REFERENCE](2:1)
APPLICABLE PC BOARD t=0.8~1.6



3 FIG.2 SMT&COPLANARITY LEAD DIMENSIONS



PANEL CUTOUT(1:1)
(PANEL THICKNESS t = 1.5 mm MAX)



NOTES
 1 LOGO MARK SIDE DIRECTION AFTER PLUG MATING SHALL BE AS SHOWN IN FIG.1
 2 CONTACT No. ARRANGEMENT SHALL BE AS SHOWN IN THE FIGURE.
 3 SMT LEAD DIMENSION FOR CONTACT (REF No. 3, 4) AND SHELL (REF No. 2) SHALL BE AS SHOWN IN THE FIGURE.

2	COPPER ALLOY	SELECTIVE GOLD PLATING	4	STAINLESS STEEL (BLACK) UL94V-0	
1	POLYAMIDE	(BLACK) UL94V-0	3	COPPER ALLOY	
NO.	MATERIAL	FINISH, REMARKS	NO.	MATERIAL	FINISH, REMARKS

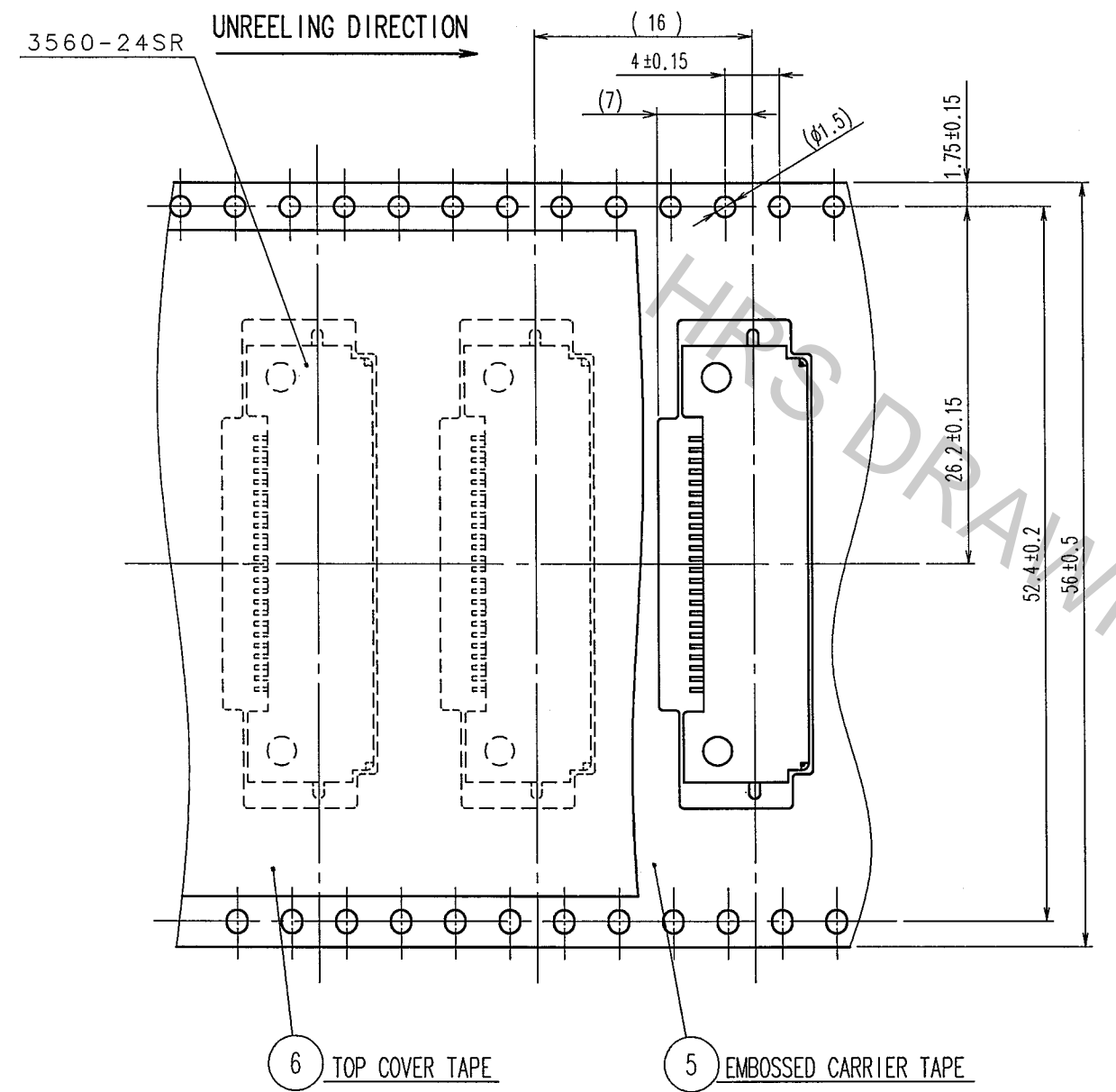
CODE NO. (OLD)	DRAWN	DESIGNED	CHECKED	APPROVED	RELEASED
	T.TANIGUCHI	T.TANIGUCHI	Y.ENAMI	H.MIWA	
	04.04.26	04.04.26	04.04.26	04.04.26	

SCALE	4 : 1	DRAWING NO.	EDC3-124783-01	PART NO.	3560-24SR(61)
UNITS	mm			CODE NO.	CL235-0022-3-61

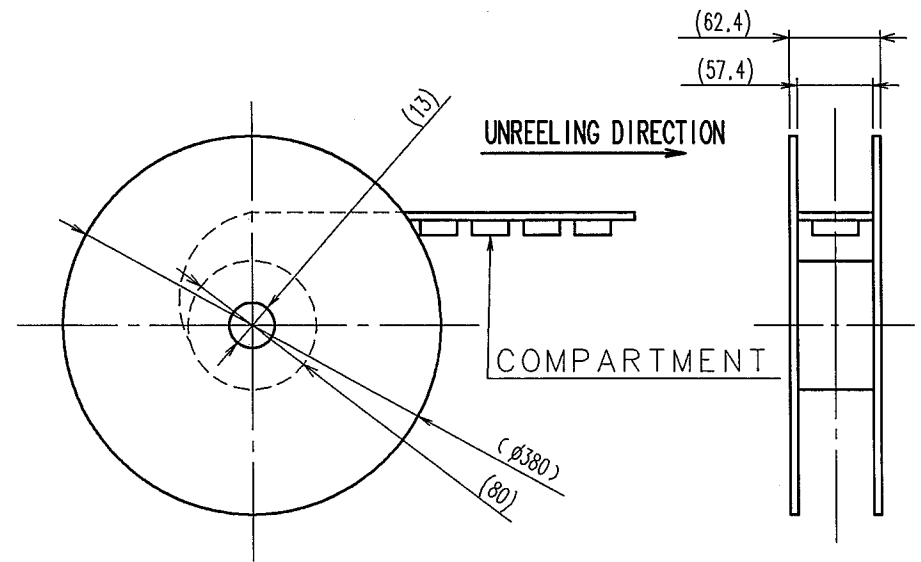
TO

Apr.1.2017 Copyright 2017 HIROSE ELECTRIC CO., LTD. All Rights Reserved.

4 FIG.3 PACKING CONDITIONS



5 FIG.4 REELING CONDITION FOR DELIVERY (SCALE : FREE)



NOTES 4 PACKING FOR CONNECTOR SHALL BE AS SHOWN IN FIG.3
 5 REELING CONDITION FOR DELIVERY SHALL BE AS SHOWN IN FIG.4 PER REEL : 500 PCS.

COUNT	DESCRIPTION OF REVISIONS	BY	CHKD	DATE	COUNT	DESCRIPTION OF REVISIONS	BY	CHKD	DATE
△				..	△				..
△				..	△				..
△				..	△				..

5	PS				6	PS				
NO.	MATERIAL	FINISH, REMARKS			NO.	MATERIAL	FINISH, REMARKS			
CODE NO. (OLD)		DRAWN	DESIGNED	CHECKED	APPROVED	RELEASED				
		<i>F. Taniguchi</i>	<i>F. Taniguchi</i>	<i>Y. Enami</i>	<i>H. Miura</i>	..				
		04.04.26	04.04.26	04.04.26	04.04.26	..				
DRAWING NO.		PART NO.								
EDC3-124783-01		3560-24SR(61)								
SCALE		CODE NO.								
2 : 1		CL235-0022-3-61								
UNITS		2/2								
mm		HRS HIROSE ELECTRIC CO., LTD								

TO