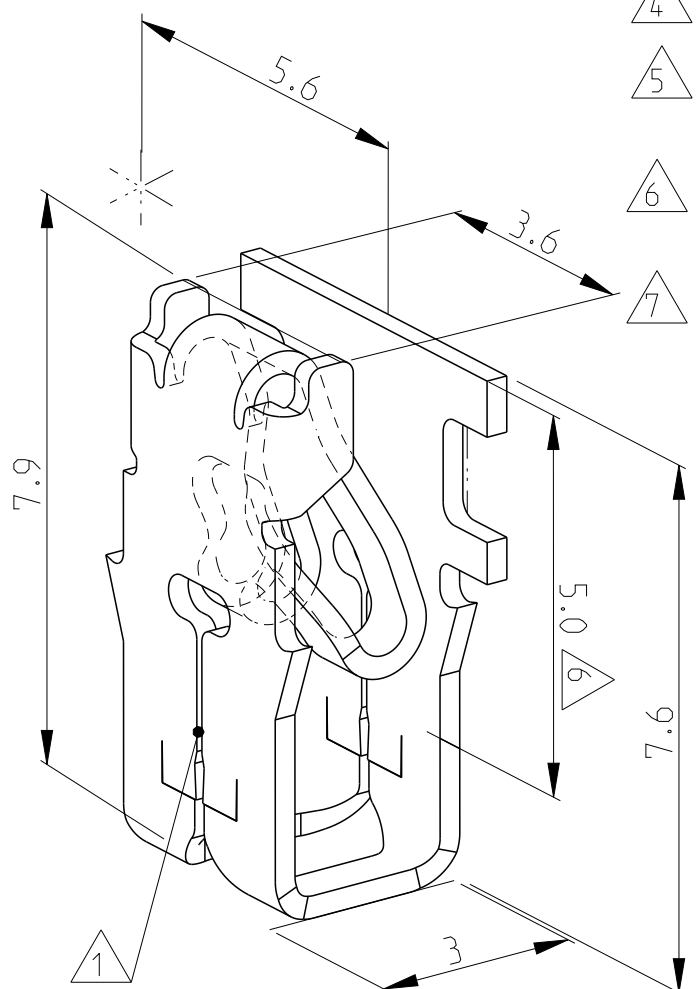
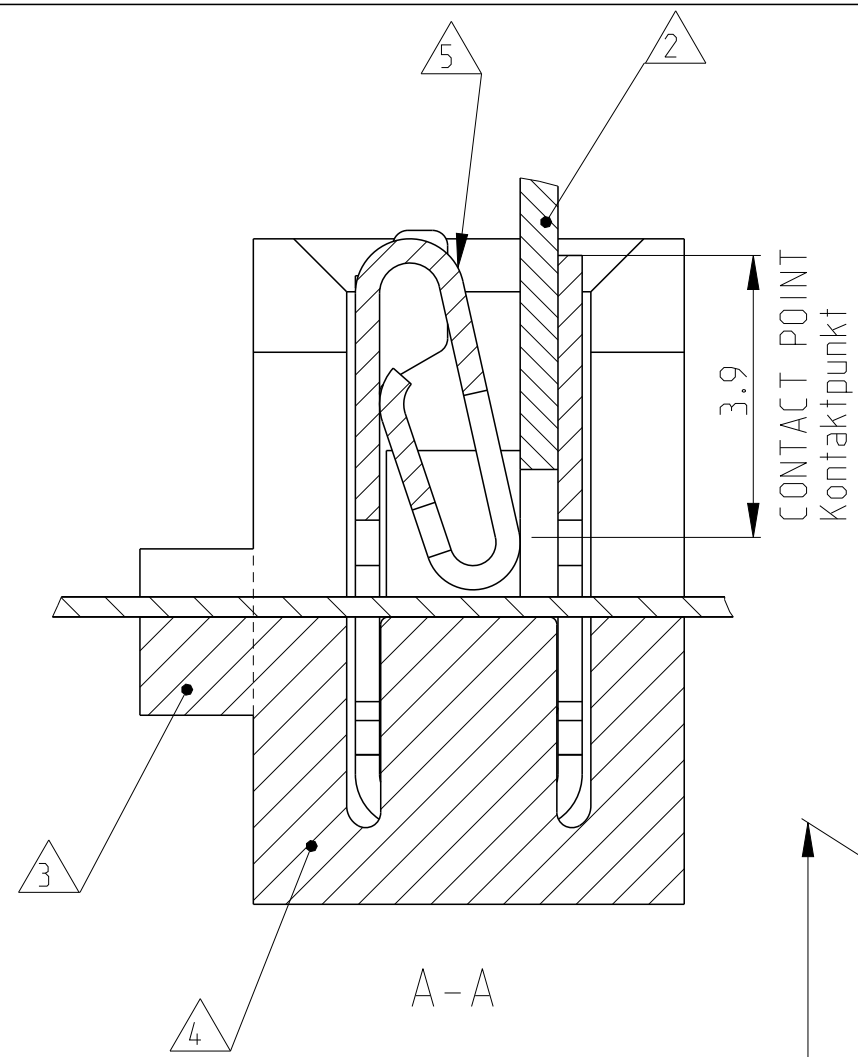
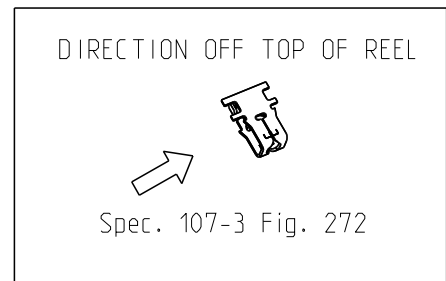


LOC	DIST	REVISIONS					
		P	LTR	DESCRIPTION	DATE	DWN	APVD
IR	-		E12	1-964337-2 PACKAGING DETAILS HAS BEEN CHANGED	30MAY2017	SV	PKS
			E13	3-964337-2 REMOVED FROM GENERAL SALES	29JAN2020	JA	PKS
			E14	REVISED PER ECR-22-139733	30MAY2022	PC	TD
			E15	REVISED PER ECR-22-145284	12JUL2022	PC	TD



- 1 SLOT ACCEPTS SINGLE OR DOUBLE MAGNET WIRE SAME DIAMETERS  $\varnothing 0.18 \dots 0.265 \text{mm}$   
Kontakt geeignet fuer Lackdraht  $\varnothing 0.18 \dots 0.265 \text{mm}$  (Einzeldraht oder zwei Draehnte gleichen Durchmessers)
- 2 POKE IN TAB TERMINAL 3.4x0.5mm  
Poke in Flachstecker 3.4x0.5mm
- 3 AREA WILL BE CUT BY TERMINATION  
Bereich wird beim Kontaktieren abgetrennt
- 4 CAVITY ACCORDING TO TE SPEC. 411-18512  
Kontakt Kammer nach TE Spec. 411-18512
- 5 IDENTIFICATION NO. FOR MAGNET WIRE RANGE (4)  
Kennziffer fuer Lackdrahtbereich (4)
- 6 OVER THE MARKED LENGTH:  
SELECTIVE Min. 0.4  $\mu\text{m}$  GOLD OVER NI  
Ueber die gekennzeichnete Laenge:  
Selektiv Min. 0.4  $\mu\text{m}$  Gold ueber Ni
- 7 REELED WITH PAPER INTERLAYER 0-737976-1 ON PLASTICREEL 1-725652-0  
Reeling mit Papierzwischenlage 0-737976-1 auf Kunststoffspulen 1-725652-0
- 8 REELED WITH PAPER INTERLAYER 0-782504-1 ON PLASTICREEL 0-725652-4  
Reeling mit Papierzwischenlage 0-782504-1 auf Kunststoffspulen 0-725652-4
- 9 QUANTITY 15000 PCS./REEL  
Mengeinheit 15000 stk./ spule
- 10 QUANTITY 10000 PCS./REEL  
Mengeinheit 10000 stk./ spule
- 11 REELED WITH PAPER INTERLAYER 782504-9 ON CARDBOARD REEL 1-973053-3  
Reeling mit Papierzwischenlage 782504-9 auf Pappbandspule 1-973053-3
- 12 REELED WITH PAPER INTERLAYER 1-782504-1 ON PLASTIC REEL 1-973162-3  
Reeling mit Papierzwischenlage 1-782504-1 auf Kunststoffspulen 1-973162-3

NOTE	PART NO	REV.	PCS.	MATERIAL	SURFACE COLOUR
	2-964337-3	A	-	CuNiSi	FLASH SILVER OVER NICKEL
	3-964337-7	7	A	CuNiSi	FLASH GOLD OVER NICKEL
	10 2-964337-7	8	B	CuNiSi	FLASH GOLD OVER NICKEL
	2-964337-2	7	A	CuNiSi	TIN PLATED
SUPERSEDED BY PN 2-964337-7	1-964337-7	8	A	CuNiSi	6 FLASH GOLD OVER NI
	12 1-964337-2	10	C	CuNiSi	PRE TINNED
SUPERSEDED BY PN 2-964337-7	964337-7	7	B	CuNiSi	6 FLASH GOLD OVER NI
	964337-3	7	C	CuZn	PRE TINNED
	964337-2	7	C	CuNiSi	PRE TINNED
	964337-1	7	B	CuNiSi	BLANK



THIS DRAWING IS A CONTROLLED DOCUMENT.

DWN Rudolph 15-03-95  
CHK H. Plösser 20-03-95  
APVD -

TE Connectivity

MAG MATE LEAF TERMINAL MARK II

PRODUCT SPEC 108-2012  
APPLICATION SPEC 114-2046  
WEIGHT -

SIZE A3 CAGE CODE 00779 DRAWING NO. C-964337 RESTRICTED TO -

MATERIAL SEE TABLE FINISH SEE TABLE

CUSTOMER DRAWING SCALE 10:1 SHEET 1 OF 1 REV E15