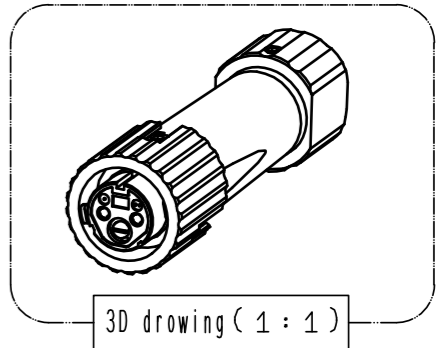
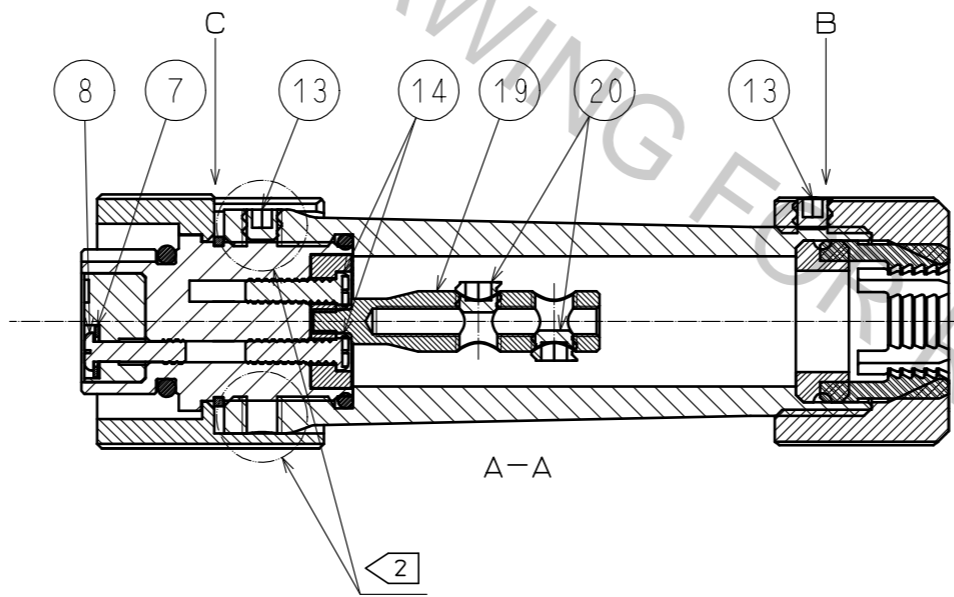
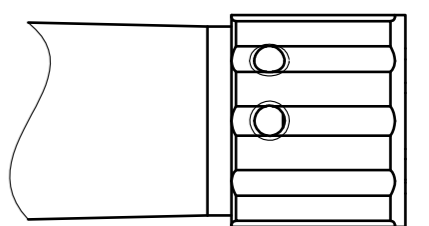
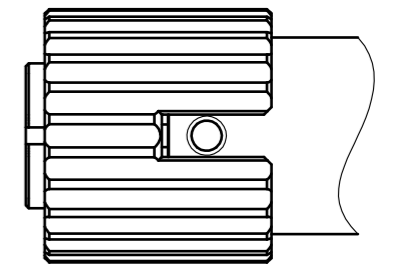
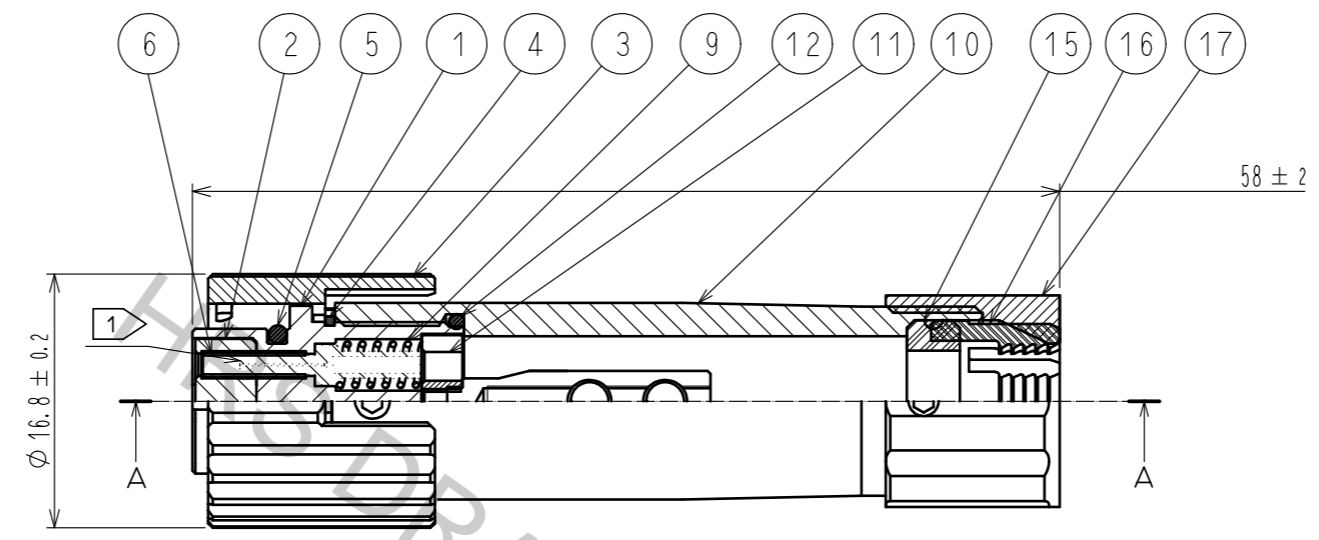
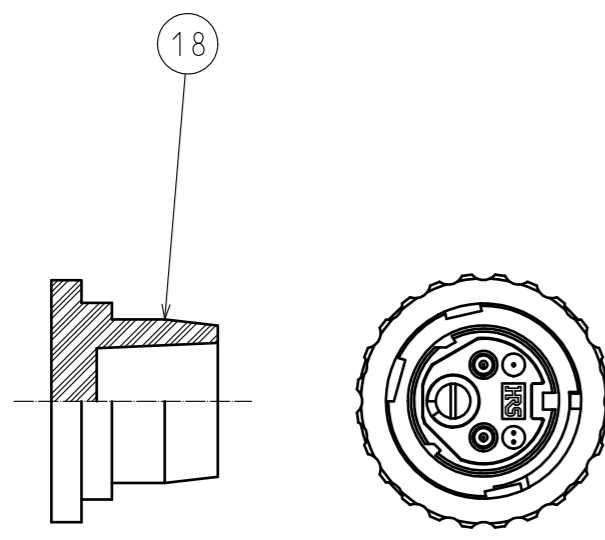


Aug.1.2018 Copyright 2018 HIROSE ELECTRIC CO., LTD. All Rights Reserved.
 In case that the application demands a high level of reliability, such as automotive,
 please contact a company representative for further information.



NOTE

- 1 Ferrules are not included in this product. MU ferrules are separately available.
- 2 Housing of part No. 10 has two holes for fixing with sleeve of part No. 1 by hexagon socket screw of part No. 13. Tighten the screw at either hole that is visible from a slit on the sleeve as shown in section C.
- 3 Tightening ring of part No. 17 has two holes for fixing hexagon socket screw of part No. 13. Tighten the screw at visible either hole, or either hole if both holes are visible.
- 4 For cleaning of the ferrule end, loosen the screw of part No. 8 and pick up the pre-assembled P shell B of part No. 2 by pulling the screw of part No. 8. Then, remove the split sleeves by using separately available sleeve-remover and clean the ferrules.

10	ZINC DIE CASTING	CHROME PLATING (COLOR:BLACK)	20	STAINLESS STEEL	
9	PIANO WIRE	ZINC PLATING + BAKING PROCESSING	19	STAINLESS STEEL	
8	STAINLESS STEEL		18	SIR RUBBER	COLOR:BLACK
7	STAINLESS STEEL		17	ZINC DIE CASTING	CHROME PLATING (COLOR:BLACK)
6	ZIRCONIA		16	PA RESIN	COLOR:WHITE
5	NBR RUBBER	COLOR:BLACK	15	SIR RUBBER	COLOR:MILKY WHITE
4	STAINLESS STEEL		14	STAINLESS STEEL	
3	ZINC DIE CASTING	CHROME PLATING (COLOR:BLACK)	13	STAINLESS STEEL	
2	ZINC DIE CASTING	CHROME PLATING (COLOR:BLACK)	12	CR RUBBER	COLOR:BLACK
1	ZINC DIE CASTING	CHROME PLATING (COLOR:BLACK)	11	ZINC DIE CASTING	NICKEL PLATING
NO.	MATERIAL	FINISH . REMARKS	NO.	MATERIAL	FINISH . REMARKS

UNITS mm		SCALE 2 : 1	COUNT 	DESCRIPTION OF REVISIONS	DESIGNED	CHECKED	DATE
HIROSE ELECTRIC CO., LTD.				APPROVED : MT. SHIBUTANI 18.02.02 CHECKED : FS. YOSHIDA 18.02.02 DESIGNED : TY. SATO 18.02.02 DRAWN : MK. INOUE 18.02.01	DRAWING NO. EDC-179215-31-00 PART NO. MF10B-WPS6.5CH02-0200(31) CODE NO. CL709-1048-7-31		