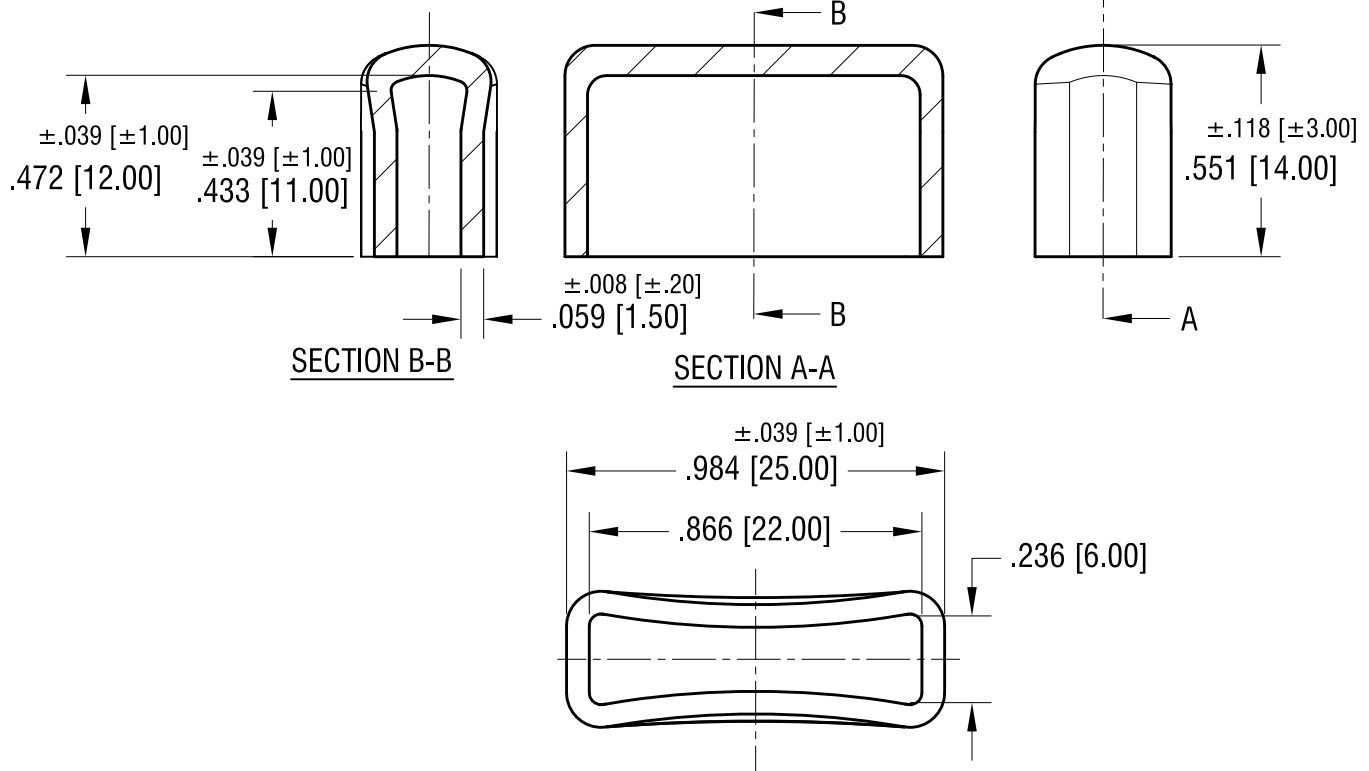
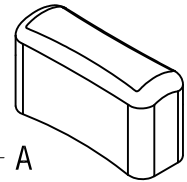


THIS DOCUMENT IS THE PROPERTY OF
KEYSTONE ELECTRONICS CORP. AND
SHALL NOT BE REPRODUCED, DISTRIBUTED
OR USED AS A BASIS FOR MANUFACTURE
WITHOUT PRIOR WRITTEN PERMISSION
FROM KEYSTONE ELECTRONICS CORP.

ACTUAL SIZE



KEYSTONE ELECTRONICS CORP.			
www.keyelco.com • NEW HYDE PARK, NY 11040 • Tel (516) 328-7500			
PART NAME		5mm FUSE HOLDER COVER	
MATERIAL		PVC ULV 94V-0	
FINISH	NONE	DRN BY	BOONE
		APP'D	LN
		DATE	4.23.98
		SCALE	2X
TOLERANCES	INCH [MM]	CODE	DWG NO.
DECIMAL	± .012 [± 0.30]	C	3527C
ANGULAR	± 1°		
UNLESS OTHERWISE SPECIFIED			

1.10.18	CHANGE AS PER ECN 18-004	A
DATE	DESCRIPTION	REV.