



Versaflex 1.3

LED Commercial Down Light



Versaflex 1.3 (Adjustable CCT)

Our Versaflex Commercial down light has been optimized to the third generation. The innovative separable design of junction box and housing make it more flexible and considerate. Versaflex 1.3 downlights have a built-in integral junction box that eliminates the need for a traditional recessed housing. During installation, it simply gets wired to a wall switch and placed into the ceiling.

- Up to 100 lumens per watt
- Available with either 4/6/8" downlight cans
- Innovative separable design of j-box & trim
- No can needed
- Select any trim size with one J-Box
- 0-10 Dimming
- Universal 120-347Vac
- Energy Star certified
- Optional retrofit kit
- Optional backup battery

Versaflex 1.3

LED Commercial Down Light

Versaflex 1.3 (Adjustable CCT)

SKU #	Model #	Watts	Lumens	CCT	Fits	Voltage	Certifications
151190	BLT-YL4DR-A1-15Z BLT-YL6DR-A1-15Z BLT-YL8DR-A1-15Z	15W	up to 1661.70Lm	3K/4K/5K	4" 6" 8"	120-347Vac	UL & ES
151191	BLT-YL4DR-A1-20Z BLT-YL6DR-A1-20Z BLT-YL8DR-A1-20Z	20W	up to 2170.60Lm	3K/4K/5K	4" 6" 8"	120-347Vac	UL & ES
151192				4" Trim			
151193				6" Trim			
151194				8" Trim			

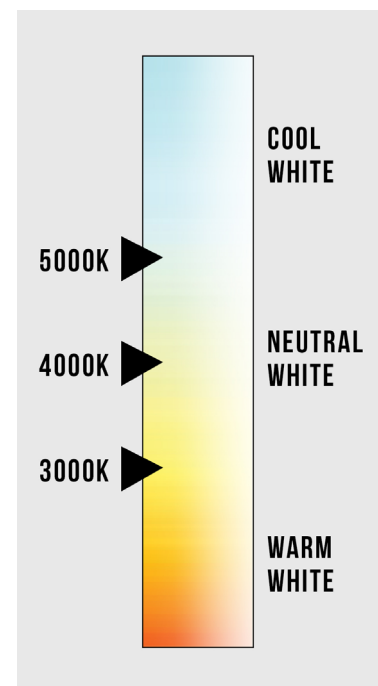


Specifications

Wattage	15W/ 20W
Color temperature	3000K/4000K/5000K
Working voltage	AC120-347V 50Hz/ 60Hz
Luminous efficiency	≥80lm/W
CRI	≥80
Chip type	SMD
Chip manufacturer	Xuyu
Driver	Constant current isolated 、Flicker、 0-10V
Power Factor	≥0.9
ambient temperature	-22°F to 113°F
Material	Aluminum
Mounting mode	Recessed
Lighting angle	60°
lifetime	30000H
certificate	UL,ES,FCC



CORRELATED COLOR TEMPERATURE (CCT)



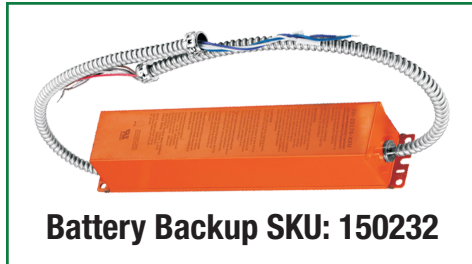
(866) 786-1117 • www.BeyondLEDTechnology.com

Due to continuous product improvement, information in this document is subject to change.

Versaflex 1.3

LED Commercial Down Light

Options



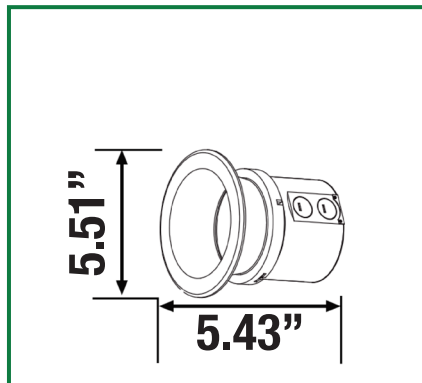
+



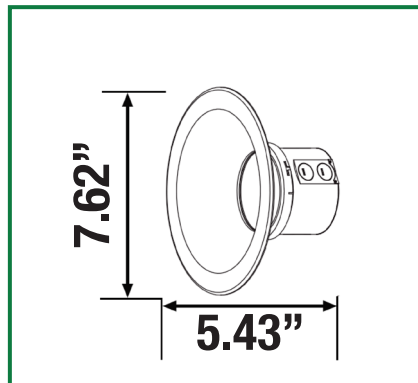
SKU #	Size
151192	4" Trim
151193	6" Trim
151194	8" Trim

Dimensions

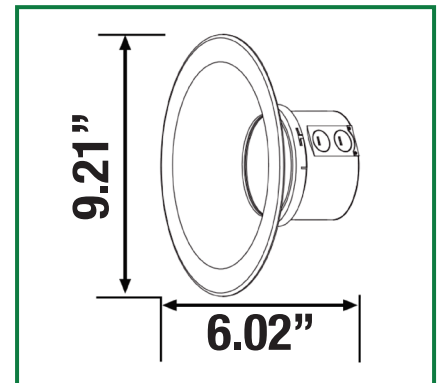
4" Trim



6" Trim



8" Trim



Versaflex 1.3

LED Commercial Down Light

Packing

SKU #	Model #	Pieces per Carton	Dimensions	Weight
151190	BLT-YL4DR-A1-15Z BLT-YL6DR-A1-15Z BLT-YL8DR-A1-15Z	8	9.84" X 8.86" X 9.29"	7.94 Lbs.
151191	BLT-YL4DR-A1-20Z BLT-YL6DR-A1-20Z BLT-YL8DR-A1-20Z	8	9.84" X 8.86" X 9.29"	7.94 Lbs.
151192	4" Trim	8	12.2" X 12.2" X 6.3"	2.43 Lbs.
151193	6" Trim	8	8.66" X 8.66" X 16.02"	3.31 Lbs.
151194	8" Trim	8	9.84" X 9.84" X 15.63"	4.41 Lbs.

Application

