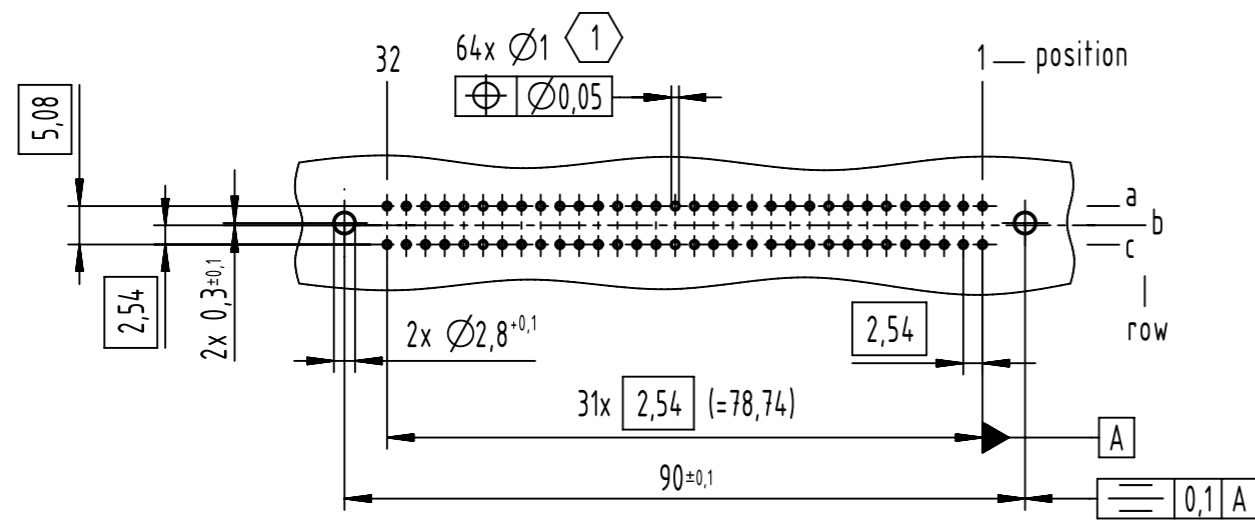
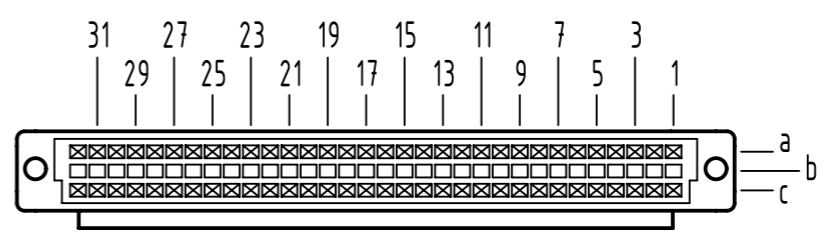


A
board drillings



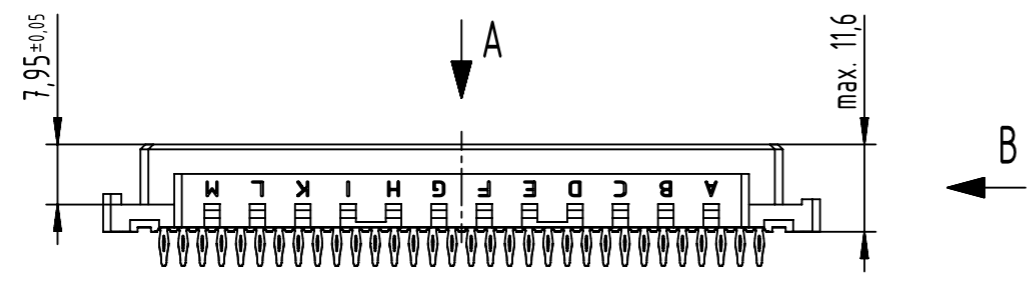
A
contact arrangement



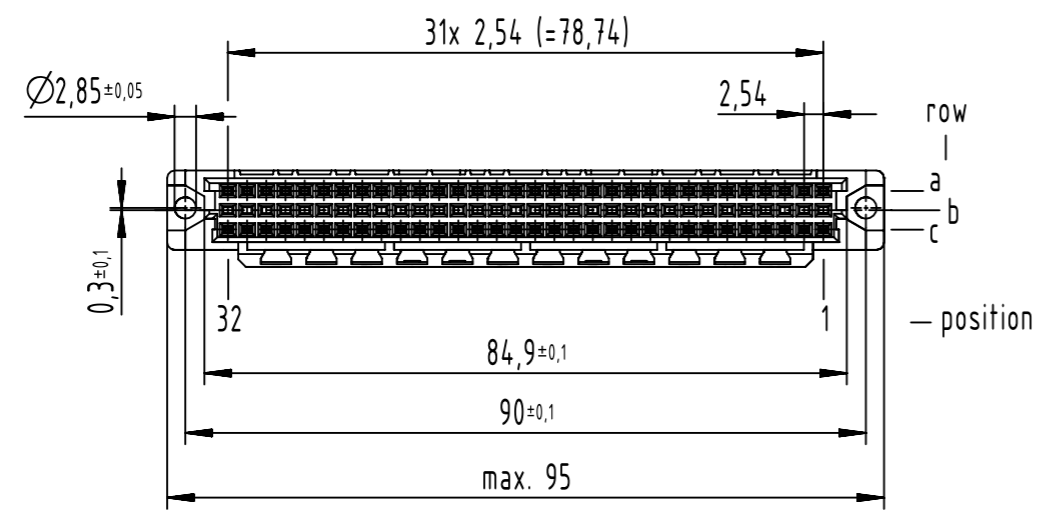
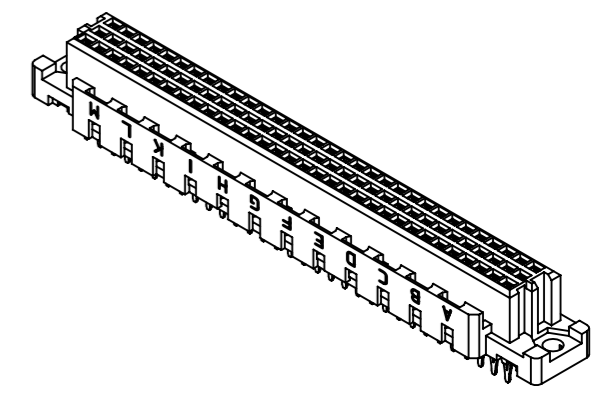
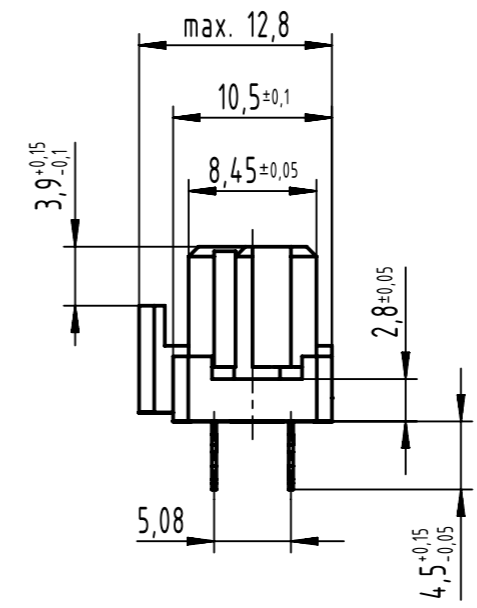
64 press-in contacts

☒ = press-in contact

◻ = position without contact



B (2:1)



① recommended configuration of plated through holes and further information see product data sheet

09 03 764 6850	2
part no.	performance level

All rights reserved Department EL PD HARTING D-32339 Espelkamp	All Dimensions in mm Original Size DIN A3	Scale 1:1 Free size tol. IEC 60603-2	Ref. Sub.	Created by STORCK	Inspected by LEHNERT	Standardisation 302077	Date 2021-03-12	State Final Release
	Title DIN Signal type C female press-in with coding 64-pole							Doc-Key / ECM-Nr. 100173852/UGD/208/H 500000191083
		Type TB	Number 0903764X850		Rev. H	Page 1/1		