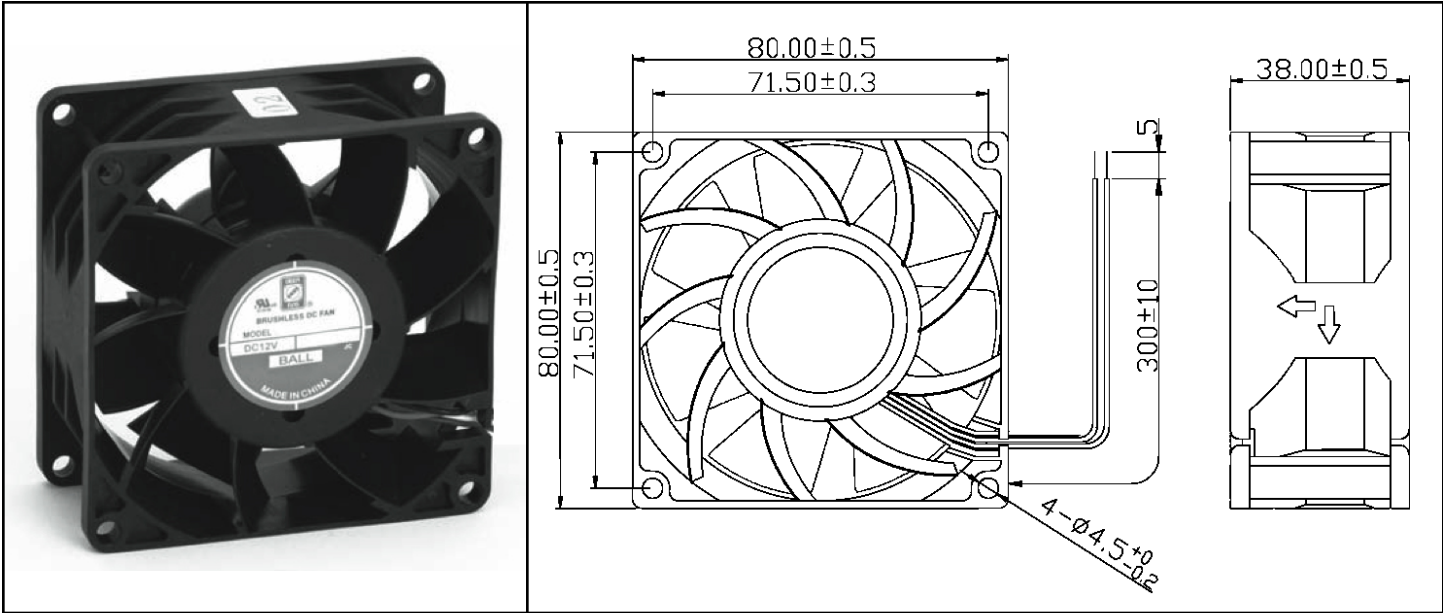


OD8038 'VA' Series



DC Fan - Vaneaxial
80x38mm (3.15"x 1.5")



Frame & Impeller	PBT, UL94V-O plastic	Date: 010318	<p>Options</p> <p>Tachometer Open Collector PWM Input **</p> <p>* Connection</p> <ol style="list-style-type: none"> 1. Black(GND) 2. Red (Vcc) 3. White (Tach) 4. Blue (PWM) 	
Connection	4x Lead wires 24awg*			
Motor	Brushless DC, auto restart, polarity protected.			
Bearing System	Dual ball bearing			
Insulation Resistance	Min. 10M at 500VDC			
Dielectric Strength	1 minute at 500VAC / 1 second, max leakage 500 microamp			
Temperature Range	-10C ~ +70C			
Storage Temperature	-40C ~ +80C			
Life (L10)	70,000 hours (40C)			

Model Number	OD8038-24HBVXC10a
Part Number	188241261
Nominal Voltage	24 VDC
Nominal Current	.54 A
Rated Power	15.6 W
Rated Speed (RPM)	6300
Airflow (CFM)	99
Noise Level (dB)	57
Max. Static Pressure	0.81 "H ₂ O

