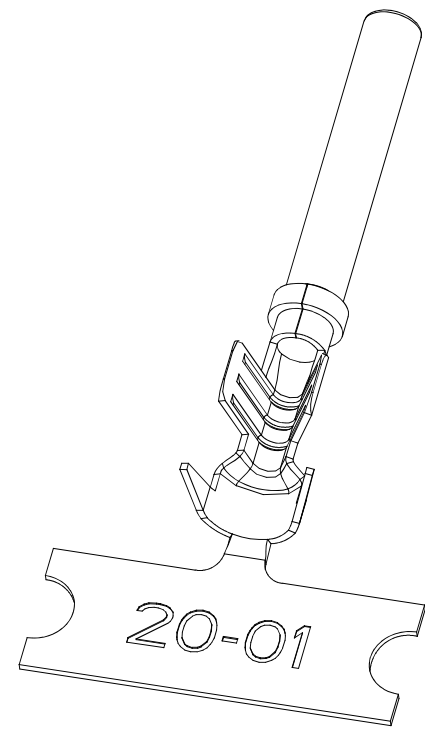
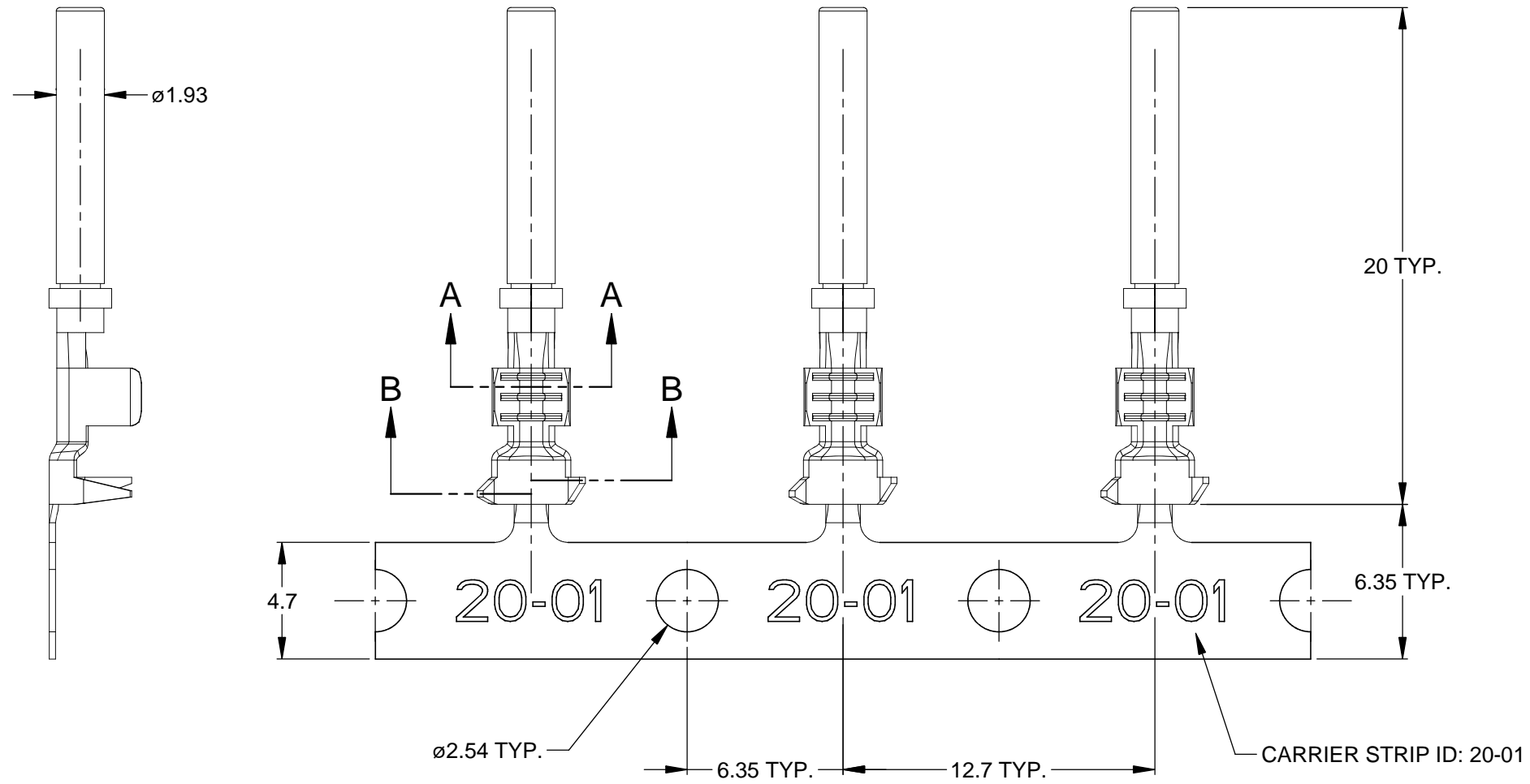
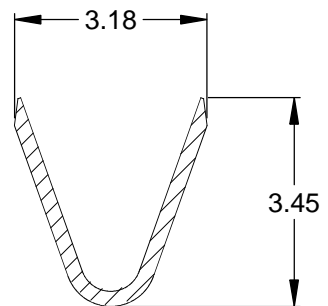
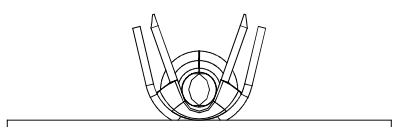


| REVISIONS |     |                        |           |     |      |
|-----------|-----|------------------------|-----------|-----|------|
| REV       | ECO | DESCRIPTION            | DATE      | BY  | APPR |
| A3        | -   | RELEASE NEW DWG FORMAT | 30/JUL/13 | DRP | -    |

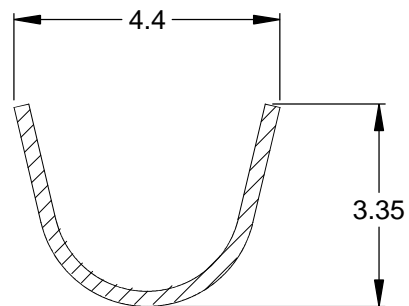


NOTES: UNLESS OTHERWISE SPECIFIED

- MATERIAL: COPPER ALLOY
- PLATING: SEE PART NUMBER CHART
- CONTACT SIZE: 20
- SPECIFICATIONS:
  - CURRENT RATING: 7.5 AMPS
  - CONTACT MILLIVOLT DROP: 100 MILLIVOLT DROP MAXIMUM AT 7.5 AMP TEST CURRENT.
  - RoHS COMPLIANT
- RECOMMENDED WIRE RANGE: 18 - 22 AWG
- PACKAGE: 4000PCS/REEL
- AVAILABLE APPLICATORS: MFX-3974-K OR MFX-3974-G
- ALL DIMENSIONS ARE FOR REFERENCE USE ONLY



SECTION A-A



SECTION B-B

| PART NUMBER CHART |              |
|-------------------|--------------|
| PLATING           | PART NUMBER  |
| NICKEL            | AT62-20-0122 |
| GOLD              | AT62-20-0144 |

| SEE PART NUMBER CHART                |             | DESCRIPTION  |      | ITEM         |
|--------------------------------------|-------------|--|------|--------------|
| QUANTITY                             | PART NUMBER | MATERIALS LIST   |      |              |
| UNLESS OTHERWISE SPECIFIED           |             | SIGNATURES   |      | DATE         |
| 1) All dimensions are in metric(mm). |             | DRAWN: D.PARKS   |      | 30/JUL/13    |
| 2) Tolerances are as follows:        |             | CHECKED:   |      |              |
| 1 PL DEC ±0.30                       |             | ENGINEER:  |      |              |
| 2 PL DEC ±0.15                       |             | APPROVAL:  |      |              |
| 3 PL DEC ±0.08                       |             | CUSTOMER:  |      |              |
| 3) Note reference = X                |             | THIS DRAWING IS SUPPLIED FOR INFORMATION ONLY. DESIGN FEATURES, SPECIFICATIONS AND PERFORMANCE DATA SHOWN HEREON ARE THE PROPERTY OF THE AMPHENOL CORPORATION. NO RIGHTS OF REPRODUCTION ARE IMPLIED. ALL DIMENSIONS ARE SUBJECT TO NORMAL MANUFACTURING VARIATIONS. |      |              |
| MATERIAL SPECIFICATIONS:             |             | CONTACT, SOCKET, STAMPED, SIZE 20, 18-22 AWG, ATM SERIES   |      |              |
| PROCESS SPECIFICATIONS:              |             | SIZE   | TYPE | DWG NO.      |
| NEXT ASSY:                           |             | B  | C-   | AT62-20-01XX |
|                                      |             | SCALE: NONE  |      | REVISION A3  |
|                                      |             | SHEET 1 OF 1   |      |              |

TITLE: SOCKET, STAMPED, SIZE 20, 18-22 AWG, ATM SERIES  
 DWG NO: AT62-20-01XX  
 REV: A3  
 SH: 1  
 OF: 1