

1 2 3 4

A

B

C

D

E

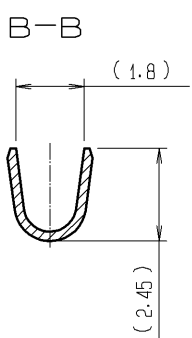
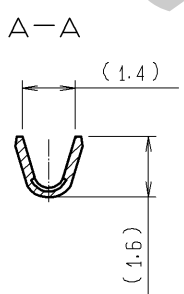
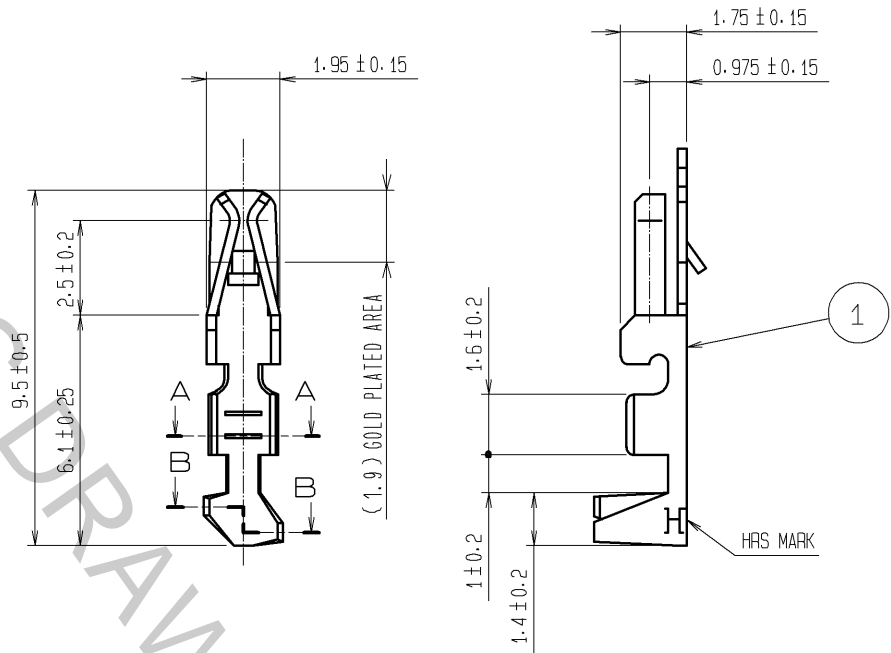
A

B

C

D

E



NOTE1. APPLICABLE CABLE : AWG24 TO 28

NO.		MATERIAL		FINISH , REMARKS		NO.		MATERIAL		FINISH , REMARKS	
		1		PHOSPHOR BRONZE				CONTACT:GOLD PLATING 0.2μm Min		OTHER:NICKEL PLATING 1μm Min	
UNITS mm		SCALE 5 : 1		COUNT		DESCRIPTION OF REVISIONS		DESIGNED		CHECKED	
				APPROVED :KI. AKIYAMA 10.11.26 CHECKED :TS. FUKUSHIMA 10.11.25 DESIGNED :HT. SATO 10.11.25 DRAWN :MI. SAKIMURA 10.11.24		DRAWING NO. EDC4-080533-01 PART NO. DF1B-2428SCA CODE NO. CL541-0681-6-00				1/1	

F