

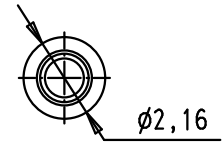
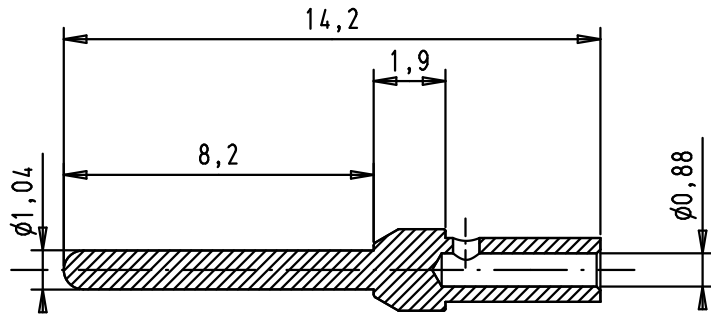
5 4 3 2 1

D

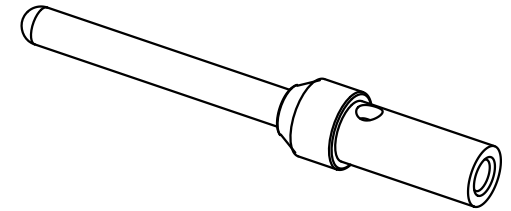
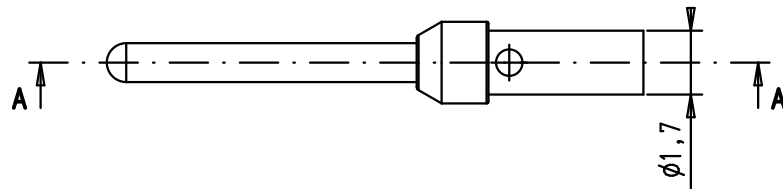
C

B

A



Crimping of AWG 22-26 : hand tool 09 99 000 0501  
and locator 09 99 000 0531



5000	09 67 000 5576 580	PL1
100	09 67 000 5576	PL1
Bulk packaging	Part number	Gold plating (over nickel)

EC04018	07/11/11	SD			
EC01739	29apr2010	LP			
EC01656	12apr2010	LP			
Mod.	Dat.	Name			

Detail.	12apr2010	LP			
Insp.	07/11/11	JB			
Stand.					
HARTING EURL F-95972 Paris					



D-Sub	AWG 22-26
male turned crimp contact	
TB09 67 000 557x	
Sub.	

Maßstab/ Scale	5/1
Blatt/ Page	1/1