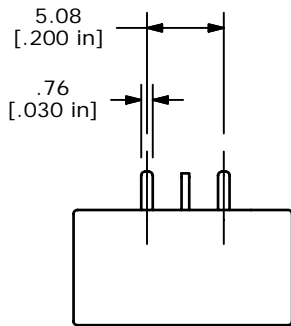


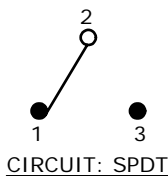
P.C.B. LAYOUT



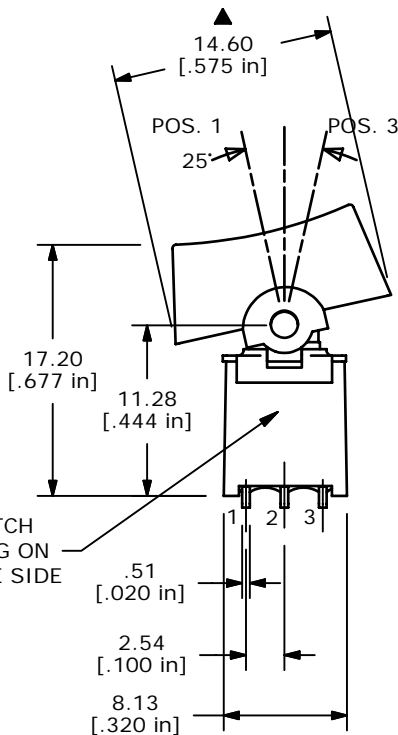
ISOMETRIC

SWITCH FUNCTION		
POS. 1	POS. 2	POS. 3
ON	NONE	(ON)
2-3	OPEN	2-1

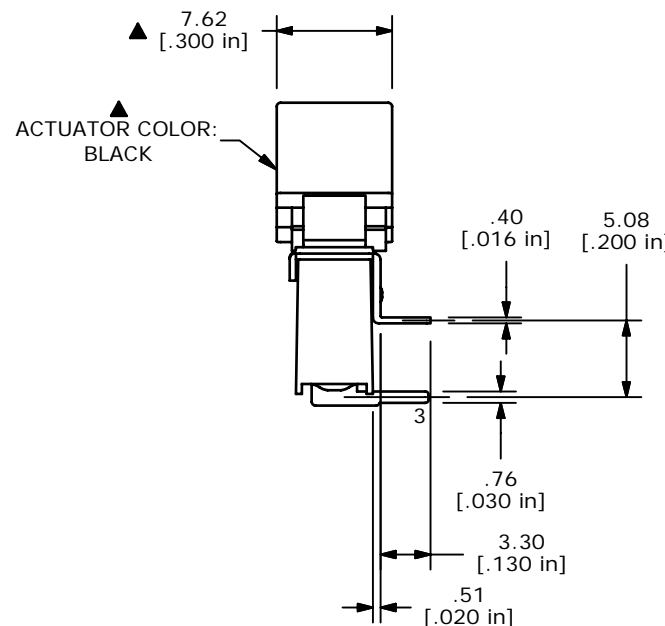
(ON)=MOMENTARY



CIRCUIT: SPDT



E-SWITCH MARKING ON OPPOSITE SIDE



NOTE:

1. ALL DIMENSIONS IN MM [INCH]
2. GENERAL TOLERANCE: X.X=±0.4
X.XX=±0.25
3. TERMINAL NUMBERS FOR REF ONLY
- ▲4. PLATING MATERIAL: SILVER
5. RATING: 3A @120VAC OR 28VDC
1A @250VAC
6. ELECTRIC LIFE: 30,000 MAKE-AND-BREAK CYCLES AT FULL LOAD.
7. INSULATION RESISTANCE: 1,000 MEGA-OHM MIN.
8. DIELECTRIC STRENGTH: 1,000 V RMS @SEA LEVEL.
9. OPERATING TEMP.: -30°C to 85°C
10. ▲ DENOTES CRITICAL PARAMETER.
11. PACKAGE: TRAY/162 PCS PER
12. 2002/95/EC (ROHS) COMPLIANT



B	17381	FIXED DIM 16.53 TO 17.20	6/13/07	TN
A	17375	RELEASED FOR PRODUCTION	6/12/07	TN
REV	PCR NO	DESCRIPTION	DATE	BY

TITLE 400AWMSP2R1BLKM6QE				
SCALE 2:1	DATE 6/13/2007	DR TN	DWG T405001	REV B

THE INFORMATION CONTAINED IN THIS DOCUMENT IS PROPRIETARY TO E-SWITCH AND IS NOT TO BE COPIED OR TRANSFERRED