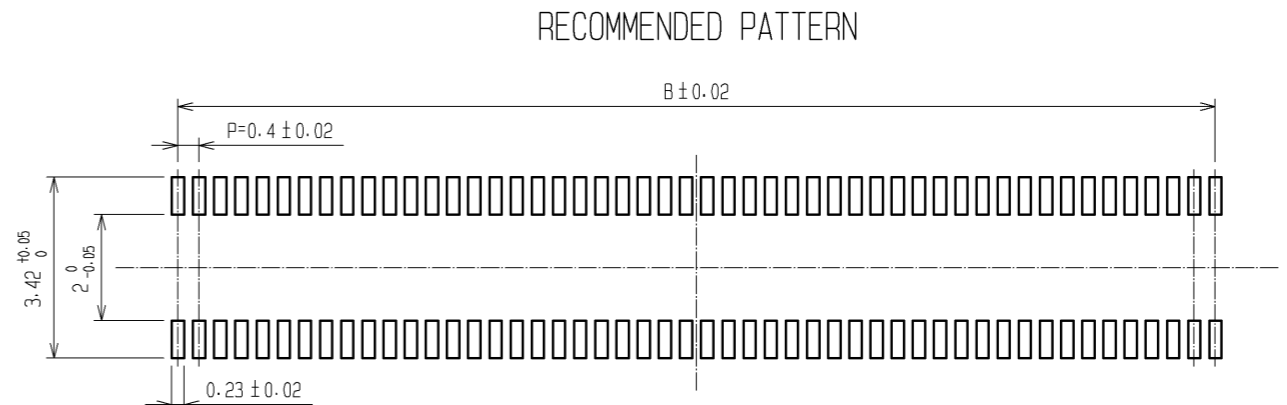
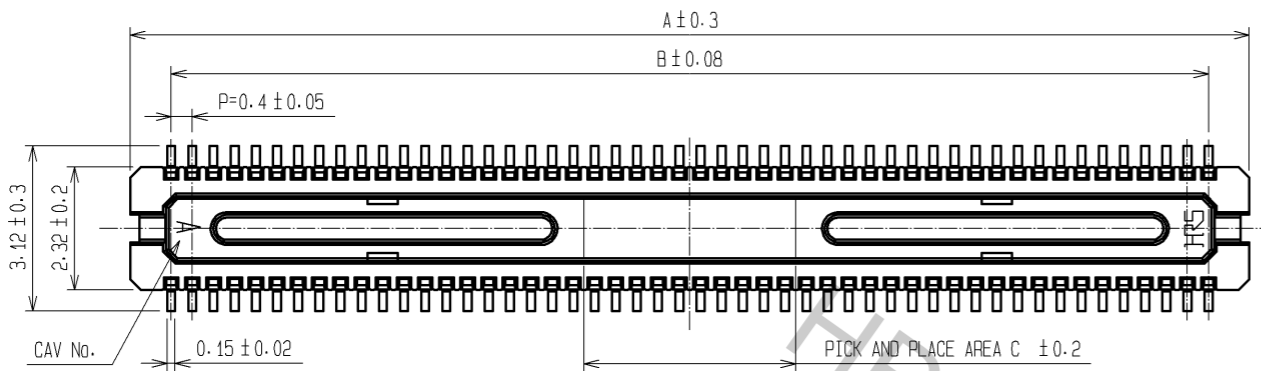
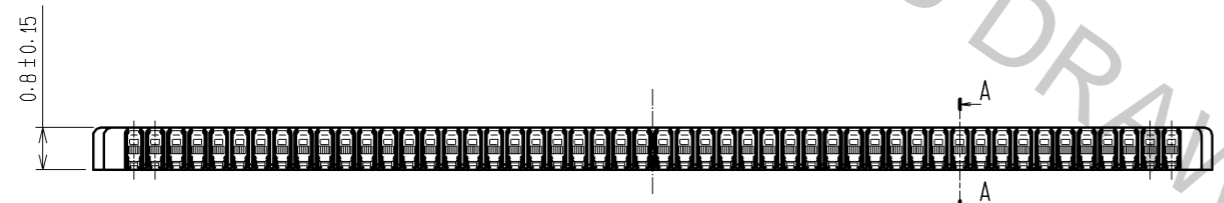


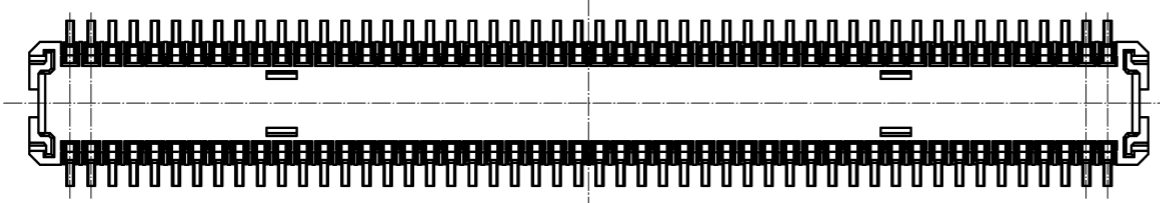
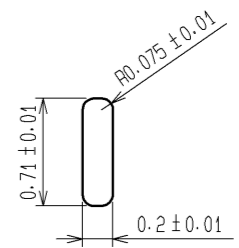
Apr.1.2017 Copyright 2017 HIROSE ELECTRIC CO., LTD. All Rights Reserved.



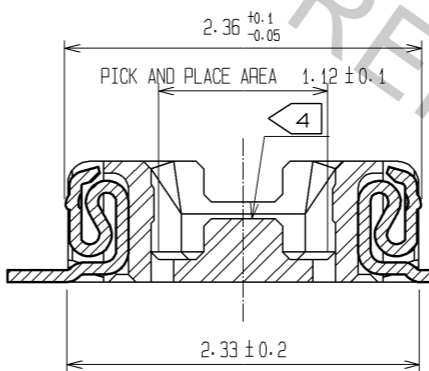
RECOMMENDED SOLDER PASTE: THICKNESS 120μm



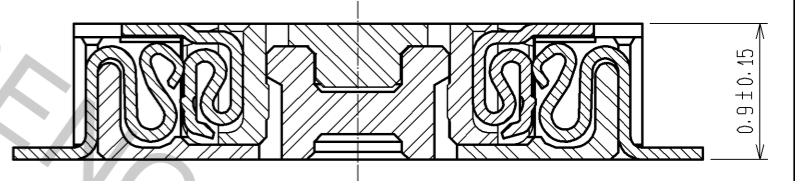
RECOMMENDED METAL MASK OPENING DIMENSIONS FOR LEAD PAD (20:1)



A-A (20:1)



ENGAGEMENT FIGURE (20:1)



NOTE 1. ALL LEADS CO-PLANARITY SHALL BE 0.1 MAX.

- 2. PER REEL : 5000 CONNECTORS.
- 3. AT THE BEGINNING OF THE REEL, 100 MM AT MIN SHALL BE EMPTY POCKETS.
- AT THE END OF THE REEL, 160 MM AT MIN SHALL BE EMPTY POCKETS.

- 4 NO CAVITY ON THE CONNECTORS LESS THAN 24 POS.
- 5 CONTACT PLATING SPECIFICATIONS.
 CONTACT AREA : GOLD 0.05μm MIN.
 SMT LEAD : GOLD 0.02μm MIN.
 UNDERPLATING : NICKEL 1μm MIN.
 (SURFACE : SEALING)

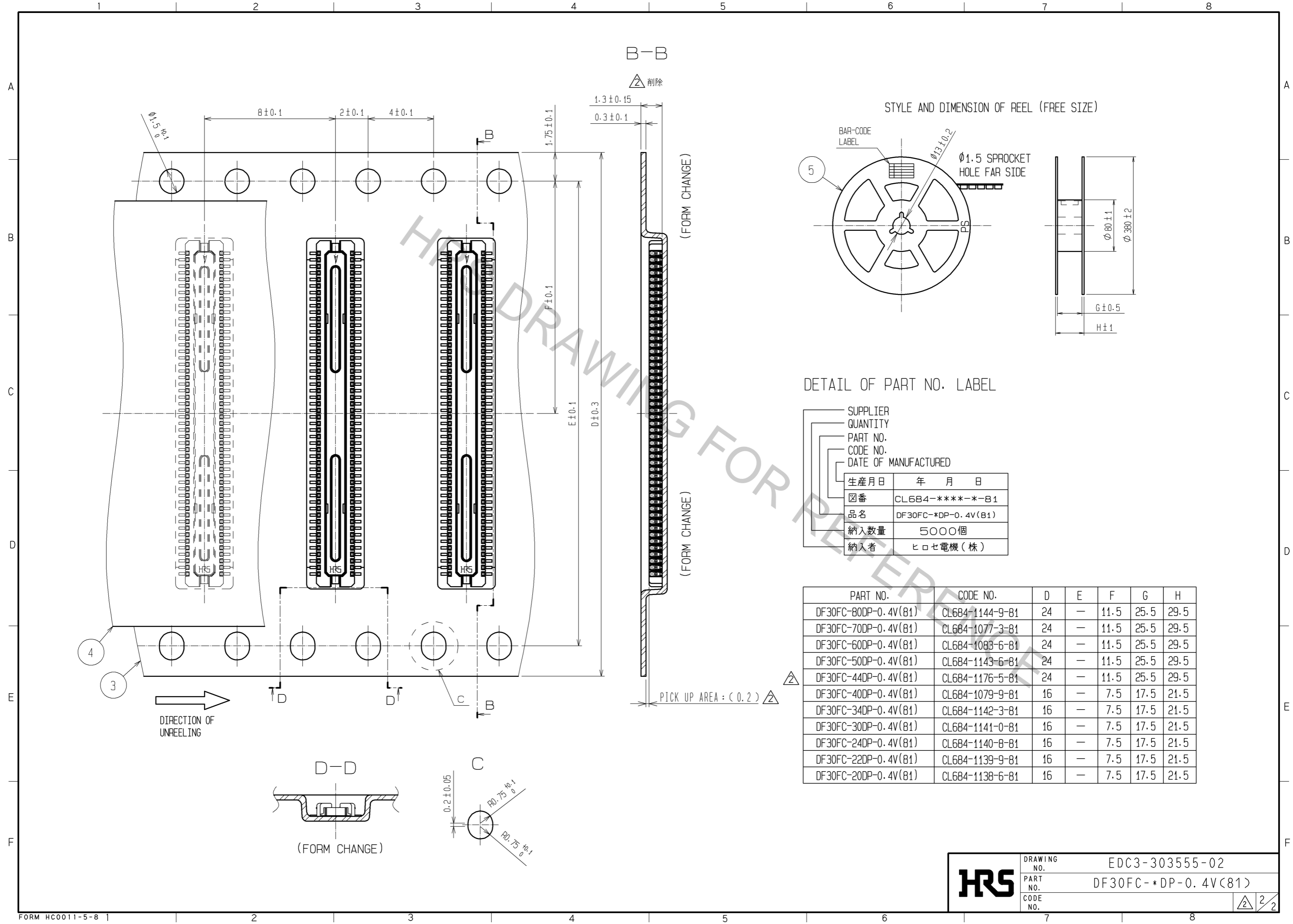
PART NO.	CODE NO.	A	B	C
DF30FC-80DP-0.4V(81)	CL684-1144-9-81	17.14	15.6	3.2
DF30FC-70DP-0.4V(81)	CL684-1077-3-81	15.14	13.6	2.8
DF30FC-60DP-0.4V(81)	CL684-1083-6-81	13.14	11.6	2.4
DF30FC-50DP-0.4V(81)	CL684-1143-6-81	11.14	9.6	2.0
DF30FC-44DP-0.4V(81)	CL684-1176-5-81	9.94	8.4	1.75
DF30FC-40DP-0.4V(81)	CL684-1079-9-81	9.14	7.6	1.6
DF30FC-34DP-0.4V(81)	CL684-1142-3-81	7.94	6.4	1.36
DF30FC-30DP-0.4V(81)	CL684-1141-0-81	7.14	5.6	1.2
DF30FC-24DP-0.4V(81)	CL684-1140-8-81	5.94	4.4	1.2
DF30FC-22DP-0.4V(81)	CL684-1139-9-81	5.54	4.0	1.2
DF30FC-20DP-0.4V(81)	CL684-1138-6-81	5.14	3.6	1.2

NO.	MATERIAL	FINISH	REMARKS	NO.	MATERIAL	FINISH	REMARKS
2	PHOSPHOR BRONZE	5		5	PS		PLASTIC REEL (BLACK)
1	LCP		UL94V-0. BLACK	4	POLYESTER		CLEAR (COVER TAPE)
				3	PS		CLEAR (EMBOSSED CARRIER TAPE)

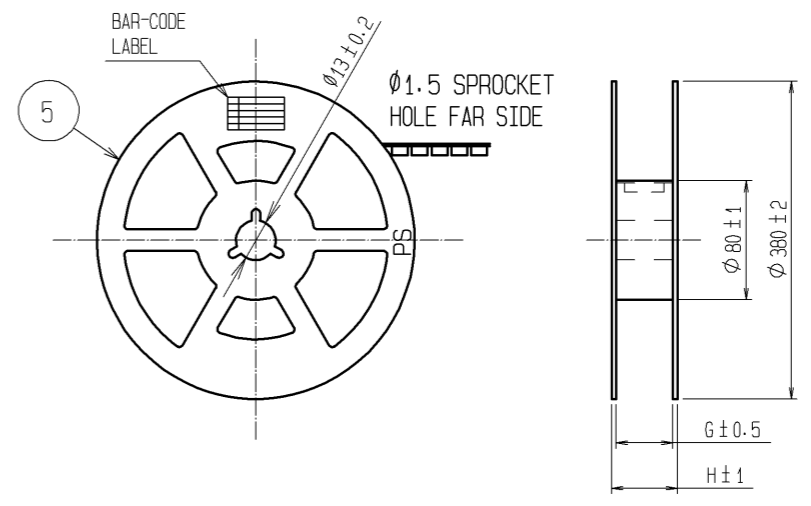
UNITS	SCALE	COUNT	DESCRIPTION OF REVISIONS	DESIGNED	CHECKED	DATE
mm	FREE	4	DIS-H-005674	YN. SAKAMOTO	TS. MIYAZAKI	11.04.12

APPROVED	DATE	DRAWING NO.
KJ. KATAYOSE	05.01.05	EDC3-303555-02
CHECKED	DATE	PART NO.
KI. AKIYAMA	05.01.05	DF30FC-*DP-0.4V(81)
DESIGNED	DATE	CODE NO.
TH. ARAI	05.01.05	
DRAWN	DATE	
TH. ARAI	05.01.05	

Apr.1.2017 Copyright 2017 HIROSE ELECTRIC CO., LTD. All Rights Reserved.



STYLE AND DIMENSION OF REEL (FREE SIZE)



DETAIL OF PART NO. LABEL

SUPPLIER
 QUANTITY
 PART NO.
 CODE NO.
 DATE OF MANUFACTURED

生産月日	年 月 日
図番	CL684-****-*81
品名	DF30FC-*DP-0.4V(81)
納入数量	5000個
納入者	ヒロセ電機(株)

PART NO.	CODE NO.	D	E	F	G	H
DF30FC-80DP-0.4V(81)	CL684-1144-9-81	24	—	11.5	25.5	29.5
DF30FC-70DP-0.4V(81)	CL684-1077-3-81	24	—	11.5	25.5	29.5
DF30FC-60DP-0.4V(81)	CL684-1083-6-81	24	—	11.5	25.5	29.5
DF30FC-50DP-0.4V(81)	CL684-1143-6-81	24	—	11.5	25.5	29.5
DF30FC-44DP-0.4V(81)	CL684-1176-5-81	24	—	11.5	25.5	29.5
DF30FC-40DP-0.4V(81)	CL684-1079-9-81	16	—	7.5	17.5	21.5
DF30FC-34DP-0.4V(81)	CL684-1142-3-81	16	—	7.5	17.5	21.5
DF30FC-30DP-0.4V(81)	CL684-1141-0-81	16	—	7.5	17.5	21.5
DF30FC-24DP-0.4V(81)	CL684-1140-8-81	16	—	7.5	17.5	21.5
DF30FC-22DP-0.4V(81)	CL684-1139-9-81	16	—	7.5	17.5	21.5
DF30FC-20DP-0.4V(81)	CL684-1138-6-81	16	—	7.5	17.5	21.5

HRS

DRAWING NO.	EDC3-303555-02
PART NO.	DF30FC-*DP-0.4V(81)
CODE NO.	

2/2