

4

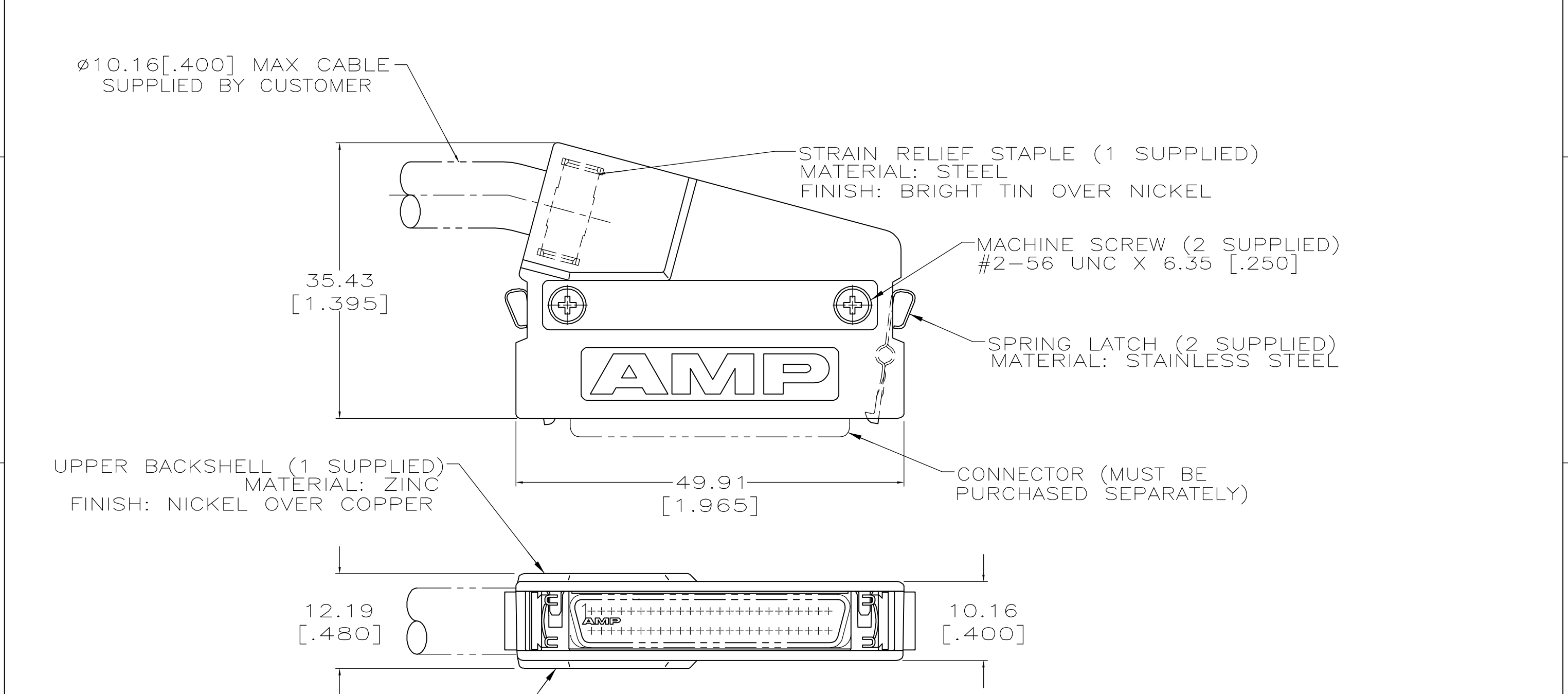
3

2

1

THIS DRAWING IS UNPUBLISHED. RELEASED FOR PUBLICATION
 © COPYRIGHT 2006 BY TYCO ELECTRONICS CORPORATION. ALL RIGHTS RESERVED.

LOC	DIST	REVISIONS					
GP	00	P	LTR	DESCRIPTION	DATE	DWN	APVD
			0	RELEASED PER EC 0S13-0287-05	23JAN06	JG	SS



	5749202-3
	5749202-2
PACKAGING	PART NUMBER

PACKAGED ONE KIT PER BAG.
 INDIVIDUALLY BULK PACKAGED.

THIS DRAWING IS A CONTROLLED DOCUMENT.		DWN	J.GERACE	23JAN06	tyco Tyco Electronics Corporation Harrisburg, PA 17105-3608		
DIMENSIONS: INCHES		CHK	S.SHUEY	23JAN06			
TOLERANCES UNLESS OTHERWISE SPECIFIED:		APVD	M.WALMSLEY	23JAN06	NAME		
0 PLC ± -		PRODUCT SPEC		KIT, UNASSEMBLED, 50 POS, 75 DEG EXIT, UNKEYED, .050 SERIES, AMPLIMITE			
1 PLC ± -		APPLICATION SPEC		SIZE			
2 PLC ± -		WEIGHT		CAGE CODE			
3 PLC ± 0.38 [.015]		CUSTOMER DRAWING		DRAWING NO			
4 PLC ± -		SCALE		RESTRICTED TO			
ANGLES ± -		2:1		SHEET			
FINISH		1 OF 1		REV			
SEE CALLOUTS		0					