

A

B

C

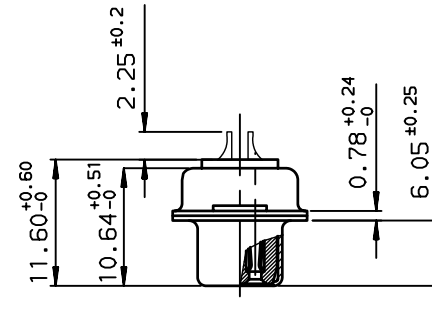
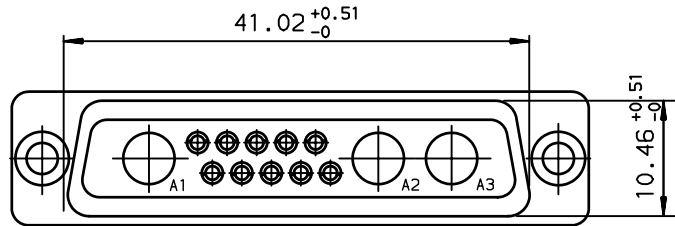
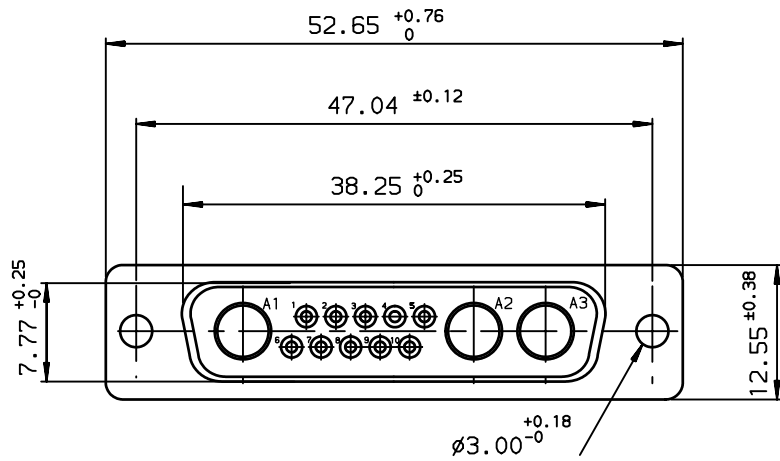
D

A

B

C

D



TIN LEAD PART NUMBER

DB13W3SA00
PART NUMBER

LEAD FREE PART NUMBER

DB13W3SA00LF
PART NUMBER

GENERAL CHARACTERISTICS AND ROHS INFORMATIONS:  
SEE DRAWING C01-8639-0003

European Views

rev	ecn no	dr	date
D	-	BAR	2003/10/28
E	LS05-005	MPE	2005/03/16
F	LS06-0095	LGO	2006/07/19
-	-	-	-
-	-	-	-
-	-	-	-

www.fciconnect.com		surface ISO 1302	<input checked="" type="checkbox"/>	tolerance std ISO 406 ISO 1101	projection 	mm
TOLERANCES UNLESS OTHERWISE SPECIFIED						
Dr	JARRY	1995/01/23	ANGULAR	0.X	±0.1	size
Eng	PESSON	1995/01/23	LINEAR	0.XX	±0.1	A3
Chr	LEGARE	1995/01/23	0.XX' ±2'	0.XXX	±0.1	Scale
Appr	LEGARE	1995/01/23	Product family	D-SUB		2
				Spec ref		LS06-0095
		SOCKET CONNECTOR MARK 1 WITH 10			dwg no	C01-8639-0568
		SOLDER CONTACTS			Rev.	F
catalog no		-			CUSTOMER	sheet 1 of 1



Copyright FCI.