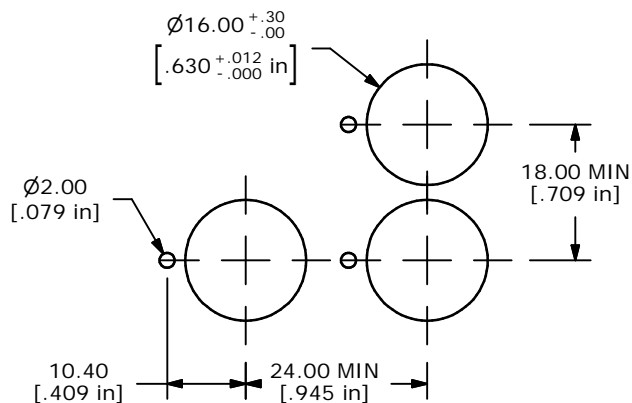
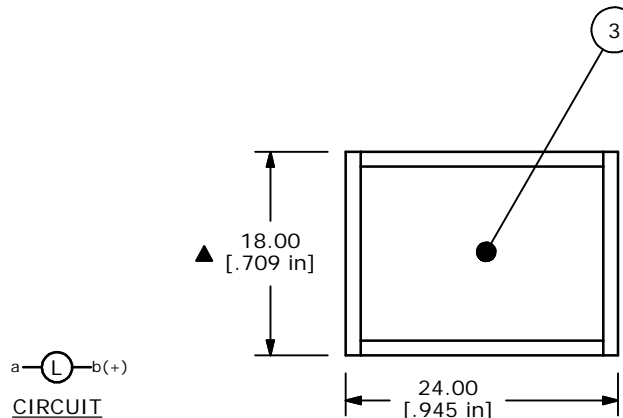
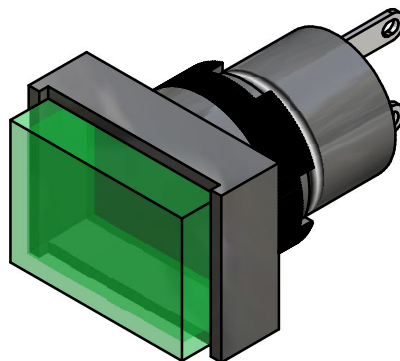


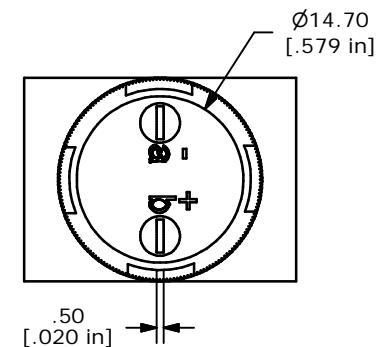
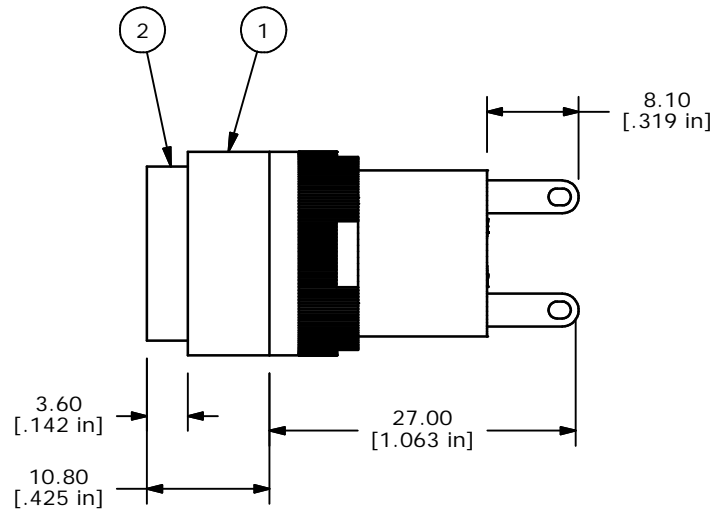
PARTS LIST			
ITEM	QTY	PART NUMBER	DESCRIPTION
1	1	F040001	L16PLT10
2	1	F052209	50-002-12 RECTANGULAR FLAT GREEN LENS
3	1	F050404	50-004-04 14V INCANDESCENT BULB



RECOMMENDED PANEL MOUNTING



CIRCUIT



- NOTE:
1. ALL DIMENSIONS IN MM [INCH]
 2. GENERAL TOLERANCE: X.X=±0.4
X.XX=±0.25
 3. TERMINAL NUMBERS FOR REF ONLY
 4. OPERATING TEMP: -25°C to +55°C
 5. STORAGE TEMP: -40°C TO +85°C
 - ▲ LAMP VOLTAGE: 14V AC OR DC @80MILLIAMPS
 7. ▲ DENOTES CRITICAL PARAMETER.

E-SWITCH®

A	14557	RELEASED FOR PRODUCTION	12/3/04	AR
REV	PCR NO	DESCRIPTION	DATE	BY

TITLE L16PLT10BGRN				
SCALE	DATE	DR	DWG	REV
2:1	12/3/04	AR	XF0618P	A

THE INFORMATION CONTAINED IN THIS DOCUMENT IS PROPRIETARY TO E-SWITCH AND IS NOT TO BE COPIED OR TRANSFERRED