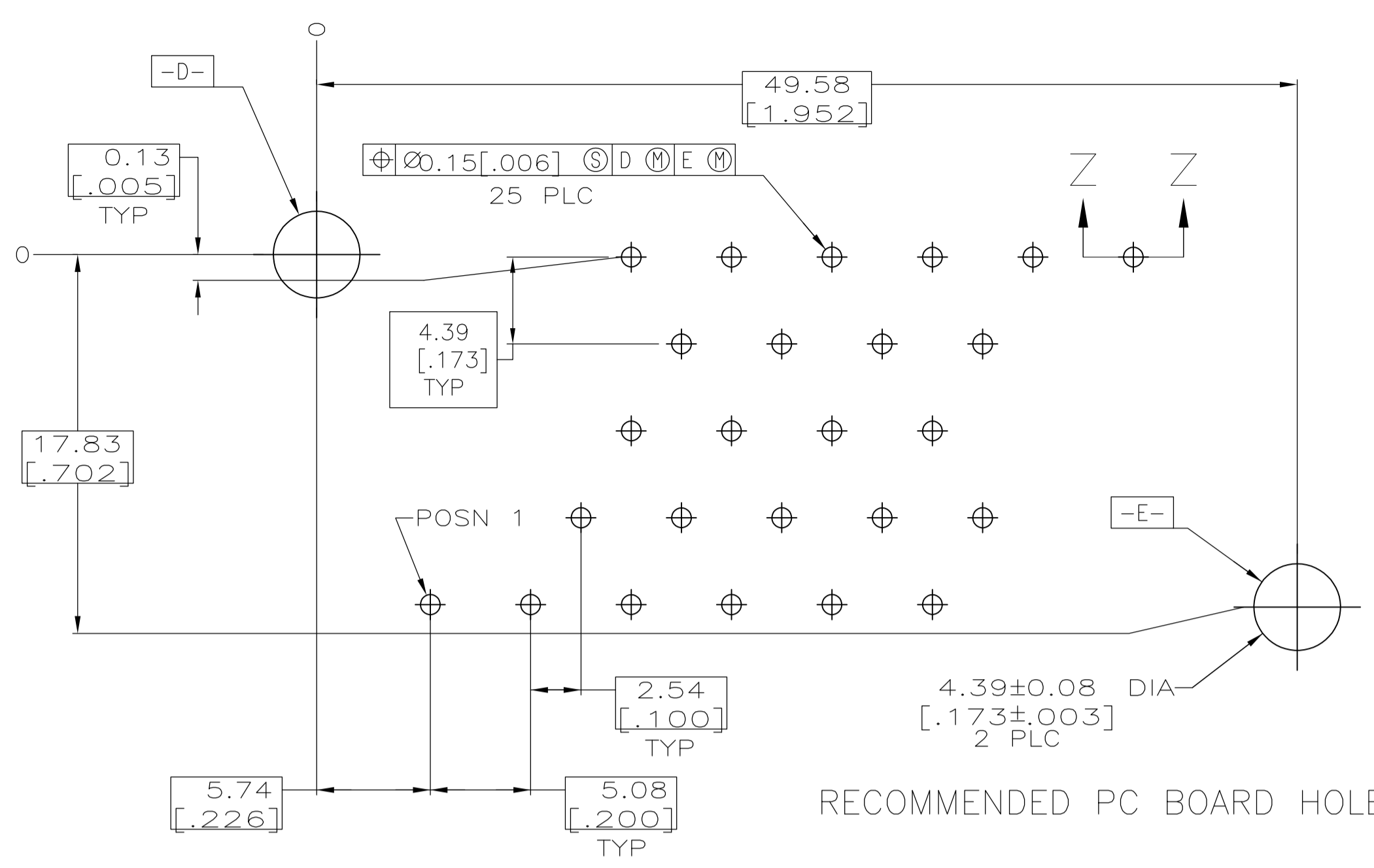
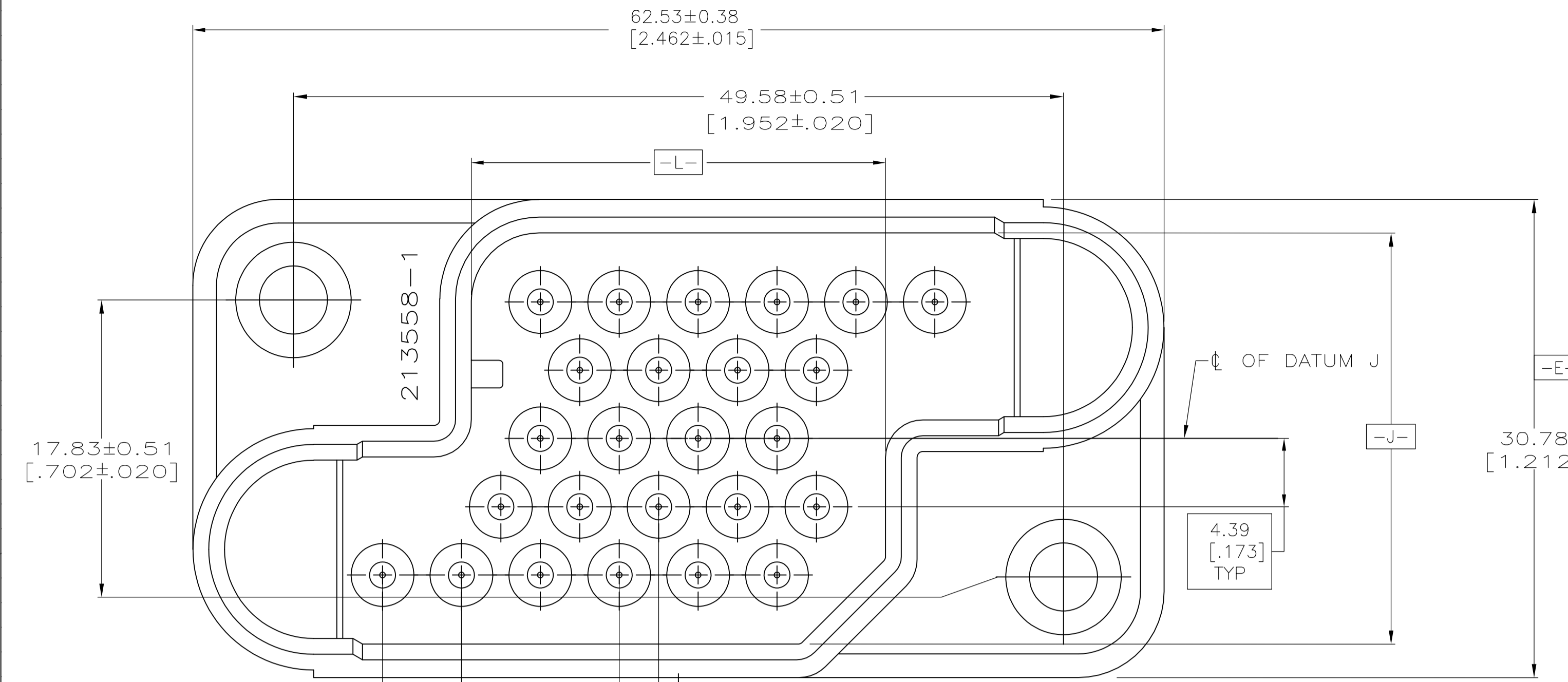


LOC		DIST		REVISIONS			
FT	0	REV	DESCRIPTION	DATE	BY	CHKD	APVD
F		1	REVISED PER 063B-0242-05	4/29/05	SS	GS	
F1		2	REVISED PER ECO-10-000443	18JAN10	KK	HMR	

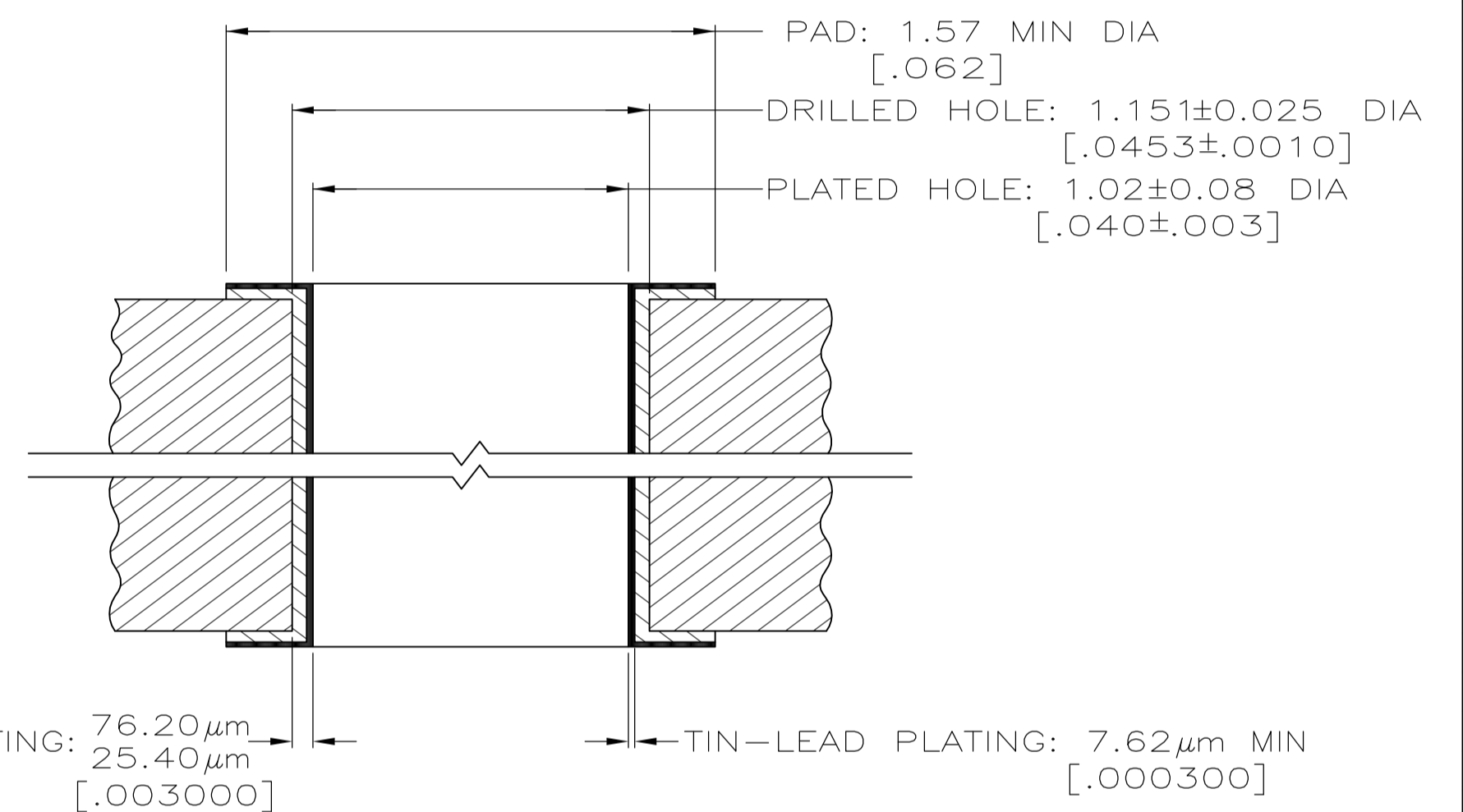
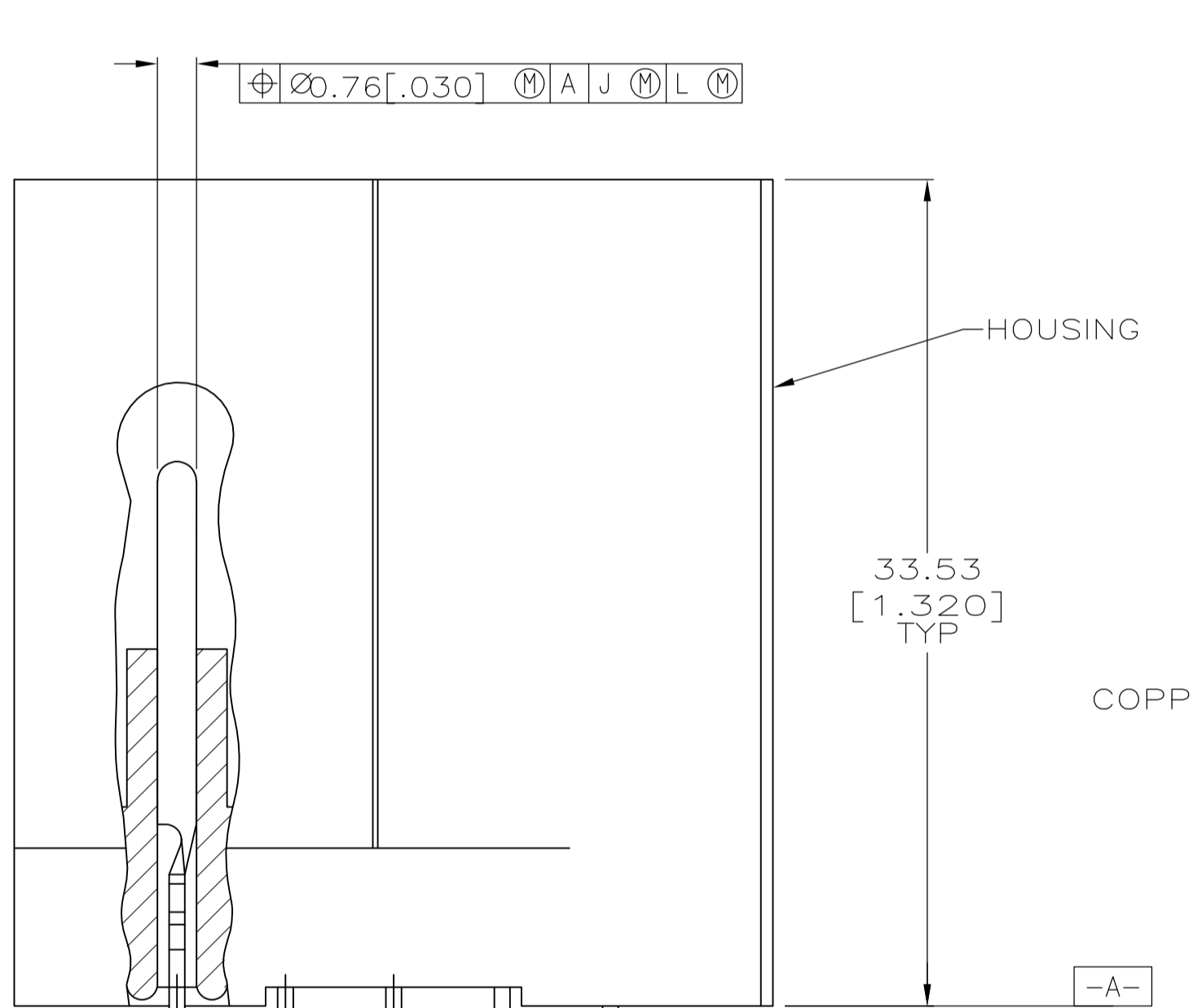
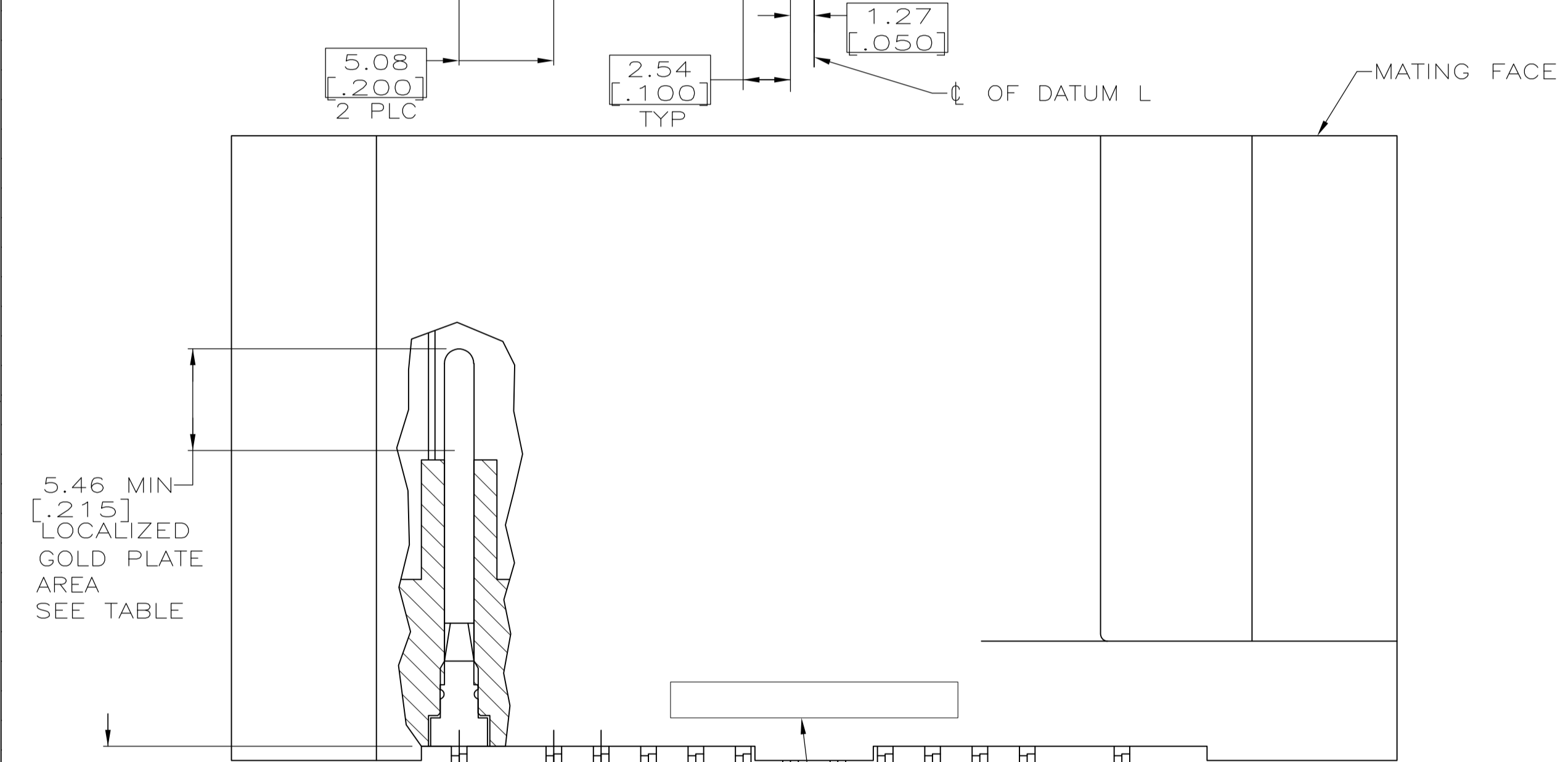
- ① 0.76um[.000030] MIN GOLD IN LOCALIZED GOLD PLATE AREA, 3.81um [.000150] MIN TIN-LEAD IN LOCALIZED TIN PLATE AREA, BOTH OVER 1.27um[.000050] MIN NICKEL.
- ② POSITIONS 1 THRU 11 AND 17 THRU 25 ARE LOADED WITH GROUND TYPE CONTACTS, POSITIONS 12 THRU 16 ARE LOADED WITH POWER TYPE CONTACTS.
- ③ POSITIONS 1 THRU 6 AND 17 THRU 25 ARE LOADED WITH GROUND TYPE CONTACTS, POSITIONS 7 THRU 16 ARE LOADED WITH POWER TYPE CONTACTS.
- ④ 2, 6, 10 TO 16, 20, 21 & 24 ARE LOADED WITH GROUND TYPE CONTACTS.
- ⑤ 5 TO 9, 11, 13, 14, 15, 20 & 25 ARE LOADED WITH POWER TYPE CONTACTS, POSITION 10 IS LOADED WITH GROUND TYPE CONTACTS.
- ⑥ 1 THRU 13, 15 THRU 17, 20, 21, 23 & 25 ARE LOADED WITH POWER TYPE CONTACTS, POSITIONS 14 & 24 ARE LOADED WITH GROUND TYPE CONTACTS.
- ⑦ 2.54um[.000100] MIN TIN-LEAD OVER 1.27um[.000050] MIN NICKEL.
- ⑧ CONTACTS: PHOSPHOR BRONZE, HOUSING; POLYSULFONE, BLACK.
- ⑨ 0.76um[.000030] MIN GOLD IN LOCALIZED GOLD PLATE AREA, 3.81um [.000150] MIN TIN IN LOCALIZED TIN PLATE AREA, BOTH OVER 1.27um [.000050] MIN NICKEL.
- ⑩ 2.54um[.000100] MIN TIN OVER 1.27um[.000050] MIN NICKEL.
- ⑪ OBSOLETE PARTS: OBSOLETE CIS STREAMLINING PER D.RENAUD/D.SINISI

REV	DESCRIPTION	DATE	BY	CHKD	APVD
⑪	OBSOLETE				
⑨		22	1	796590-6	
⑨		12	1	796590-5	
⑨		12	1	796590-4	
⑩		25	1	796590-3	
⑧	FULL	25	1	796590-2	
⑩	FULL	25	1	796590-1	
⑨		25	1	796590-0	
⑨		25		796590-9	
⑪	OBSOLETE				
⑪	OBSOLETE				
①		22		796590-8	
①		12		796590-7	
①		12		796590-6	
①		25		796590-5	
①		25		796590-4	
⑪	OBSOLETE				
①		25		796590-3	
①		25		796590-2	
①		25		796590-1	
	FINISH	LOCATION	QTY	PART NUMBER	
		CONTACT			

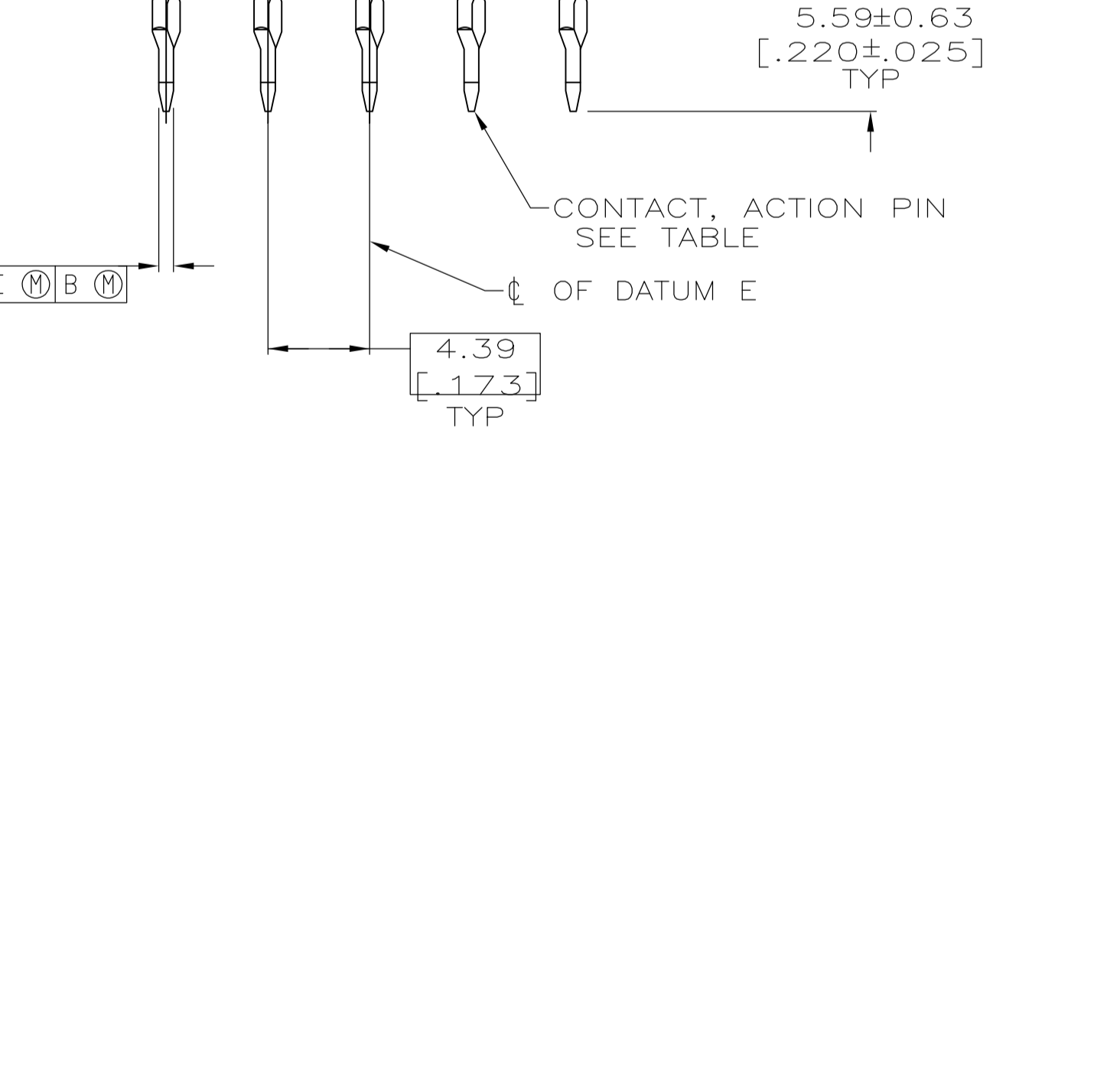
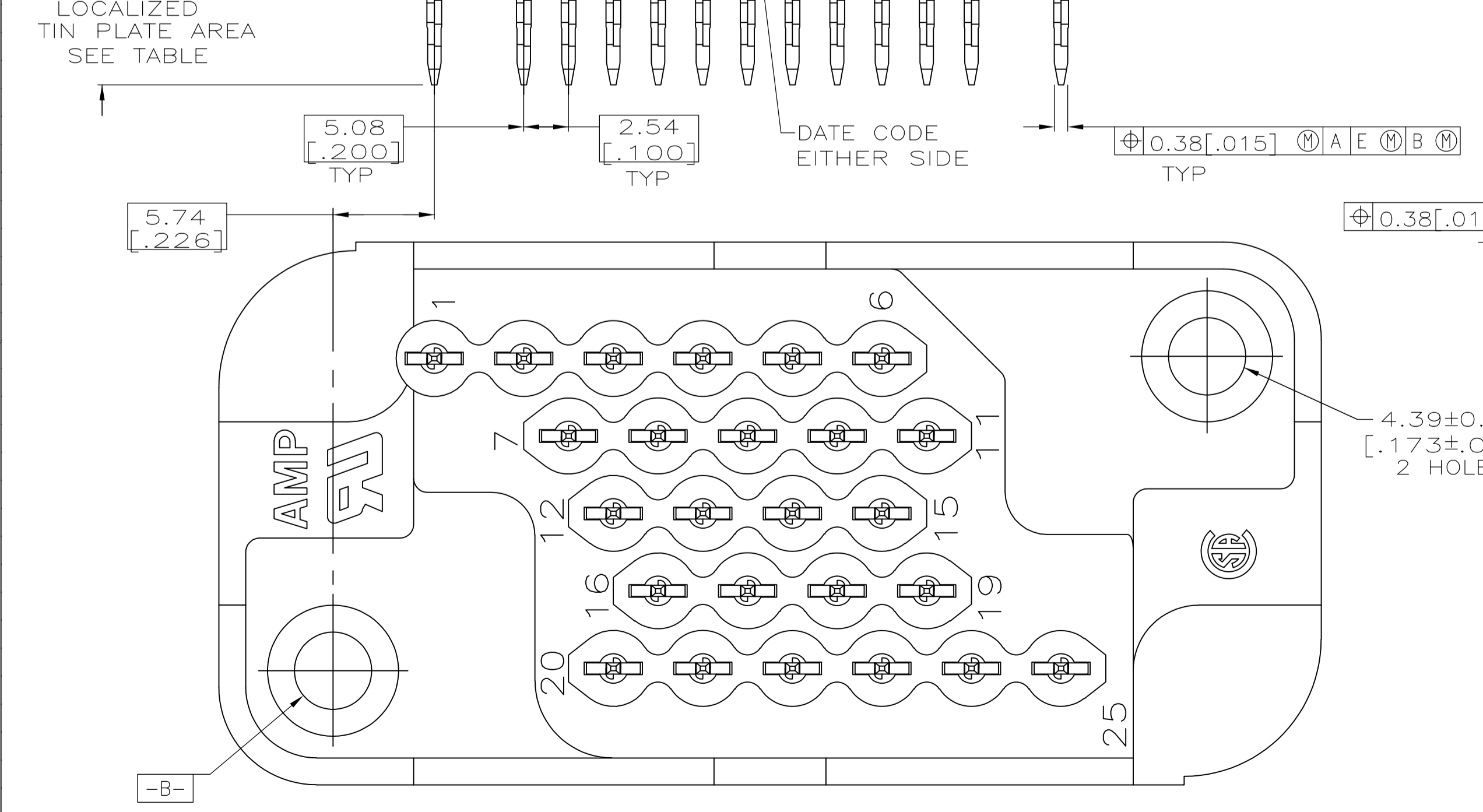
THIS DRAWING IS A CONTROLLED DOCUMENT.		DIN S.WELDON 26SEP00	Tyco Electronics Corporation Harrisburg, Pa 17105-3608	
DIMENSIONS: mm [INCHES]		CHK K.DOWHOWER 26SEP00	NAME K.DOWHOWER 26SEP00	
TOLERANCES UNLESS OTHERWISE SPECIFIED: 0. PLC ± - 1. PLC ± - 2. PLC ± 0.25 [010] 3. PLC ± - 4. PLC ± - ANGLES ± -		PRODUCT SPEC APPLICATION SPEC		
MATERIAL		WEIGHT	SIZE A1	CAGE CODE 00779
FINISH		RESTRICTED TO	DRAWING NO 796590	
		CUSTOMER DRAWING	SCALE 4:1	SHEET 1 OF 2



RECOMMENDED PC BOARD HOLE PATTERN



SECTION Z-Z  
 COPPER HARDNESS: (KNOOP) 150 MAX  
 SCALE 50:1  
 25 PLC



THIS DRAWING IS A CONTROLLED DOCUMENT.		DN: S.WELDON 26SEP00	Tyco Electronics Tyco Electronics Corporation Harrisburg, Pa 17105-3608
DIMENSIONS: mm [INCHES]		CHK: K.DOWHOWER 26SEP00	
TOLERANCES UNLESS OTHERWISE SPECIFIED:		APVD: K.DOWHOWER 26SEP00	NAME: HEADER ASSEMBLY, 25 POSN, ACTION PIN, METRIMATE
0 PLC ± -		PRODUCT SPEC: -	
1 PLC ± ±		APPLICATION SPEC: -	SIZE: A1
2 PLC ± ± 0.25 [.010]		WEIGHT: -	
3 PLC ± ±		CAGE CODE: -	DRAWING NO: 796590
4 PLC ± ±		RESTRICTED TO: -	
ANGLES ± ±		CUSTOMER DRAWING	SCALE: 4:1
MATERIAL: -		FINISH: -	SHEET: 2 OF 2
			REV: F1