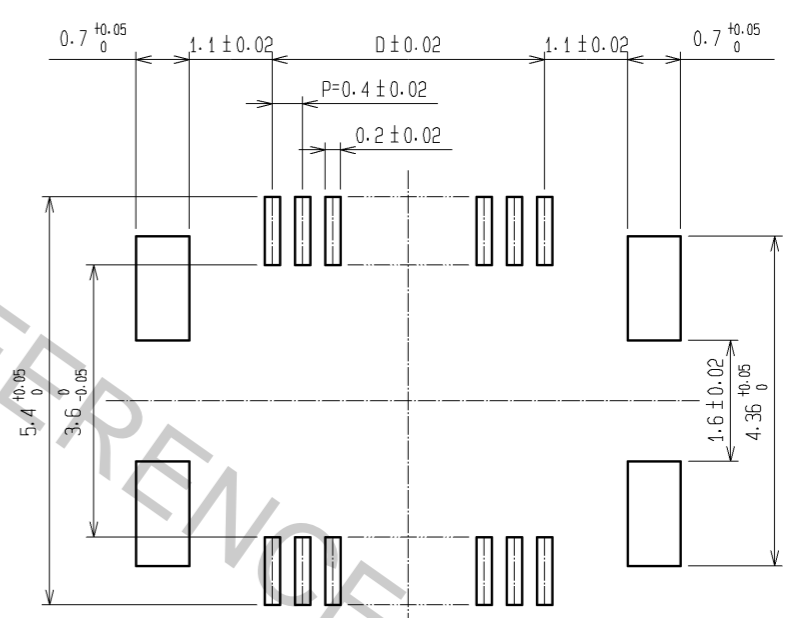


PART No.	CL No.	CONTACTS	A	B	C	D
DF18B- 20DS-0.4V (81)	CL684-0021-3-81	20	7.20	5.62	4.18	3.60
DF18B- 30DS-0.4V (81)	CL684-0022-6-81	30	9.20	7.62	6.18	5.60
DF18B- 40DS-0.4V (81)	CL684-0023-9-81	40	11.20	9.62	8.18	7.60
DF18B- 50DS-0.4V (81)	CL684-0005-7-81	50	13.20	11.62	10.18	9.60
DF18B- 60DS-0.4V (81)	CL684-0006-0-81	60	15.20	13.62	12.18	11.60
DF18B- 70DS-0.4V (81)	CL684-0024-1-81	70	17.20	15.62	14.18	13.60
DF18B- 80DS-0.4V (81)	DEVELOPING	80	19.20	17.62	16.18	15.60
DF18B-100DS-0.4V (81)	CL684-0008-5-81	100	23.20	21.62	20.18	19.60
DF18B-120DS-0.4V (81)	DEVELOPING	120	27.20	25.62	24.18	23.60

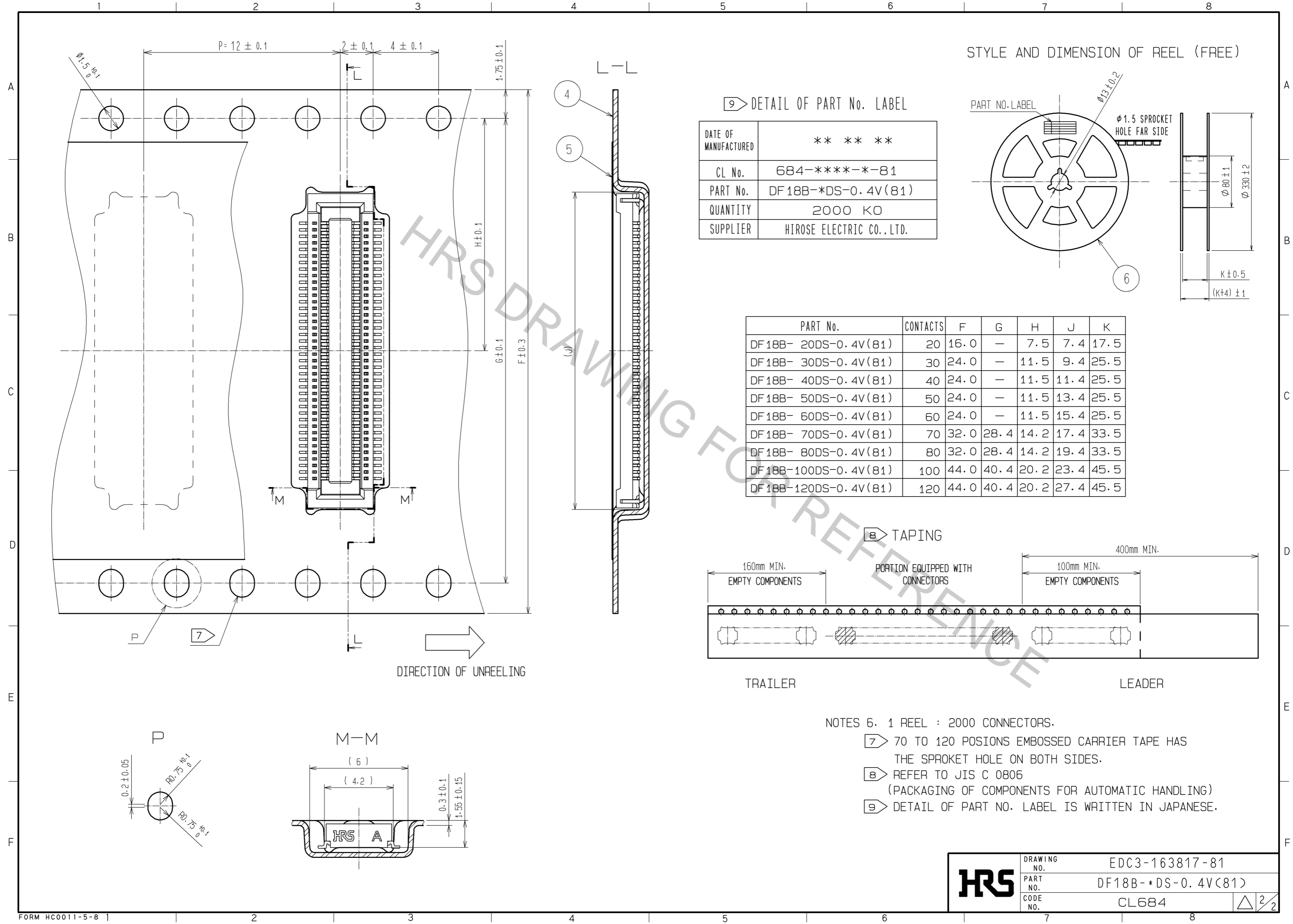
RECPMMENDED PATTERN



- NOTES
- LEAD CO-PLANARITY SHALL BE 0.1 mm MAX.
 - IN CASE OF SOLDERING A CONTACT AREA MANUALLY, CLEANING SHALL BE REQUIRED.
 - PREVENTIVE HOLE FOR SINKAGE MAY BE SETUP AT THE INDICATED POSITION.
 - THIS PRODUCT TO BE SHIPPED BY TAPE AND REEL PACKAGE. REFER TO NEXT SHEET FOR DETAILS OF PACKAGING SPECIFICATIONS.
 - USE METAL SCREEN, THICKNESS 0.12mm. SET UP THE SIZE OF THE METAL SCREEN HOLE TO THE PATTERN IN 70%.

NO.	MATERIAL	FINISH	REMARKS	NO.	MATERIAL	FINISH	REMARKS
2	PHOSPHOR BRONZE		CONTACT AREA:GOLD PLATED 0.05µm MIN LEAD AREA:GOLD PLATED 0.05µm MIN UNDER PLATING:NICKEL PLATED 1.0µm MIN	6	PS		BLACK(PLASTIC REEL)
1	LCP		NATURAL (BLACK), UL94V-0	5	POLYESTER		CLEAR(COVER TAPE)
				4	PS		CLEAR(EMBOSSD CARRIER TAPE)
				3	BRASS		TIN PLATED 1.0µm MIN UNDER PLATING:NICKEL PLATED 1.0µm MIN

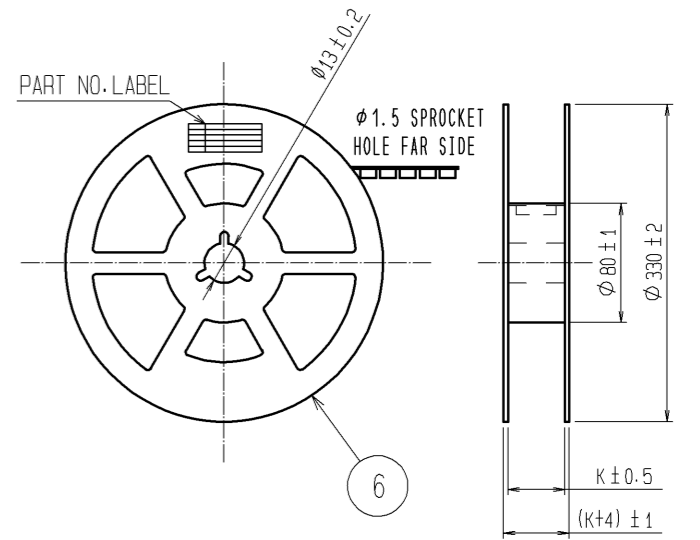
UNITS	SCALE	COUNT	DESCRIPTION OF REVISIONS	DESIGNED	CHECKED	DATE
mm	10:1	△				
APPROVED : KH. IKEDA			10.08.06	DRAWING NO. EDC3-163817-81		
CHECKED : TS. MIYAZAKI			10.08.05	PART NO. DF18B-*DS-0.4V(81)		
DESIGNED : YH. MICHIDA			10.08.05	CODE NO. CL684		
DRAWN : KR. AJITO			10.08.05			



9> DETAIL OF PART No. LABEL

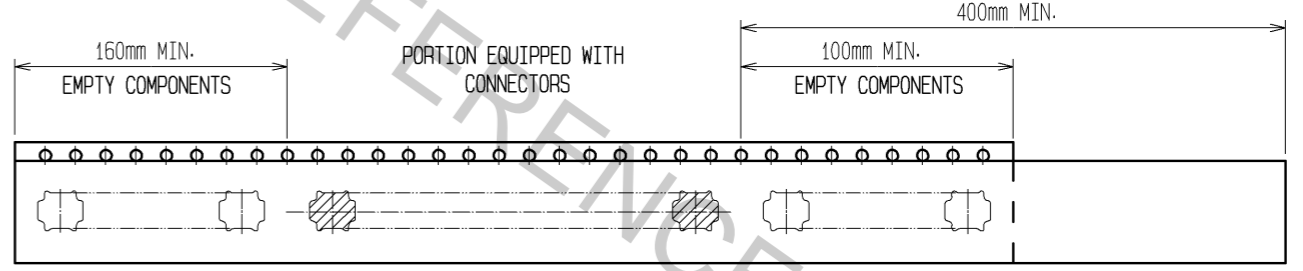
DATE OF MANUFACTURED	** ** *
CL No.	684-****-*81
PART No.	DF18B-*DS-0.4V(81)
QUANTITY	2000 KO
SUPPLIER	HIROSE ELECTRIC CO., LTD.

STYLE AND DIMENSION OF REEL (FREE)



PART No.	CONTACTS	F	G	H	J	K
DF18B- 20DS-0.4V(81)	20	16.0	-	7.5	7.4	17.5
DF18B- 30DS-0.4V(81)	30	24.0	-	11.5	9.4	25.5
DF18B- 40DS-0.4V(81)	40	24.0	-	11.5	11.4	25.5
DF18B- 50DS-0.4V(81)	50	24.0	-	11.5	13.4	25.5
DF18B- 60DS-0.4V(81)	60	24.0	-	11.5	15.4	25.5
DF18B- 70DS-0.4V(81)	70	32.0	28.4	14.2	17.4	33.5
DF18B- 80DS-0.4V(81)	80	32.0	28.4	14.2	19.4	33.5
DF18B-100DS-0.4V(81)	100	44.0	40.4	20.2	23.4	45.5
DF18B-120DS-0.4V(81)	120	44.0	40.4	20.2	27.4	45.5

B> TAPING



TRAILER

LEADER

NOTES 6. 1 REEL : 2000 CONNECTORS.

- 7> 70 TO 120 POSIONS EMBOSSED CARRIER TAPE HAS THE SPROCKET HOLE ON BOTH SIDES.
- 8> REFER TO JIS C 0806 (PACKAGING OF COMPONENTS FOR AUTOMATIC HANDLING)
- 9> DETAIL OF PART No. LABEL IS WRITTEN IN JAPANESE.

HRS	DRAWING NO.	EDC3-163817-81
	PART NO.	DF18B-*DS-0.4V(81)
	CODE NO.	CL684
		2/2