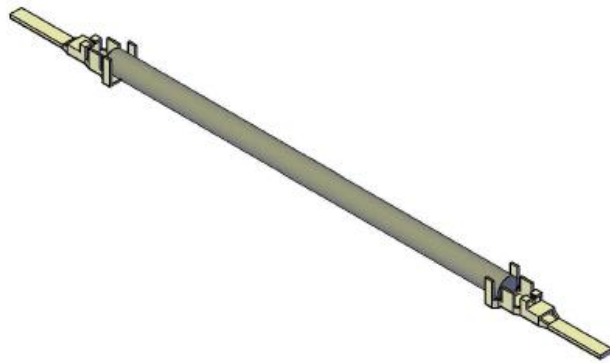
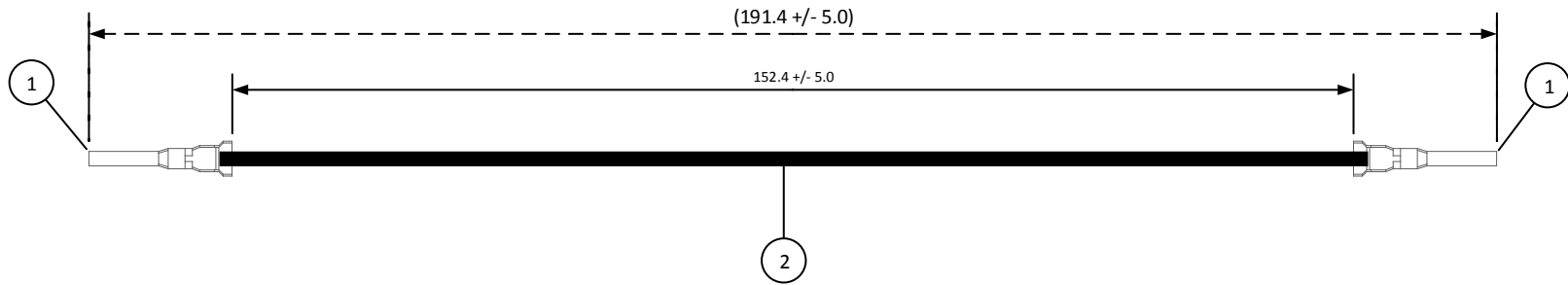


4		3		2		1	
ITEM	CONNECTOR PART NO.	DESCRIPTION	IPI CHECK	EOR CHECK	Applicable Tooling		
1	SYM-41T-P0.5A	YL CONNECTOR - MALE CONTACT			APPLICATOR		
2	UL1015, 16 AWG	BLACK			Applicable Housings		

NO. OF CIRCUITS	HOUSING PART NO. WITH PANEL LOCKS	HOUSING PART NO. WITHOUT PANEL LOCKS
1	-	YLR-01VF
2	YLR-02V	YLR-02VF
3	YLR-03V	YLR-03VF
4	YLR-04V	YLR-04VF
6	YLR-06V	YLR-06VF
8	YLR-08V	YLR-08VF
9	YLR-09V	-
12	YLR-12VA	-
15	YLR-15V	-
16	YLR-16V	-
21	YLR-21V	-



SCALE	CUSTOMER NAME	CUSTOMER PART NO.
1:1		
DIMENSIONS	DESCRIPTION	
All dimensions are in MM with a tolerance of +/- 3.0 unless otherwise specified.	4.5 mm Pitch YL Series Standard Leads - 6" Inside Length DOUBLE-END LEADS, M-M	
DRAWN BY	ASSEMBLY PART NO.	
STEVEN PILKINGTON	ASYMSYM16K152	
CHECKED BY	DRAWING NO. & REVISION	REVISED
JUSTIN BAKER	GAM-086	3/9/2016

REV.	DESCRIPTION	DATE	BY

4 | 3 | 2 | 1