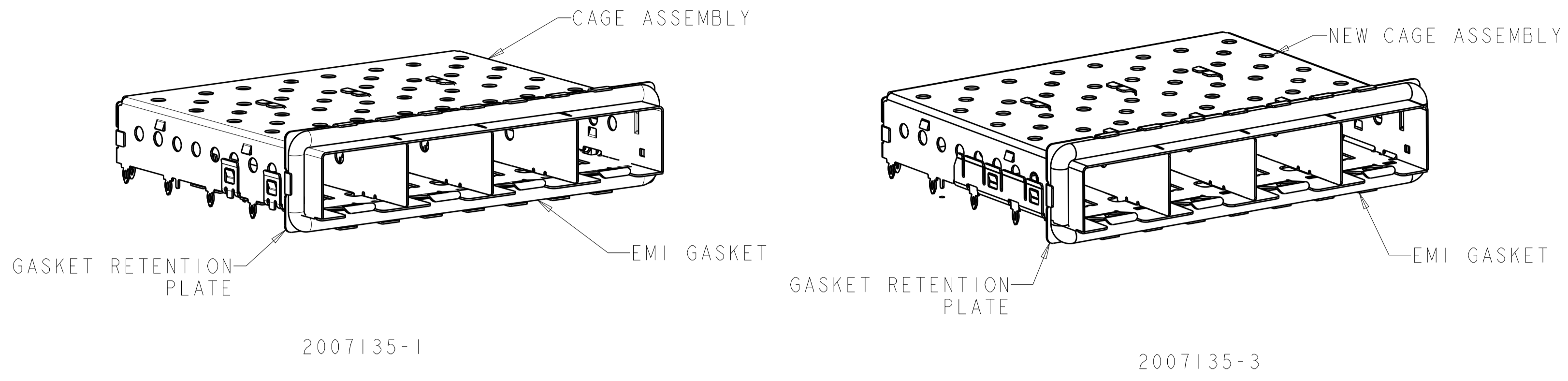
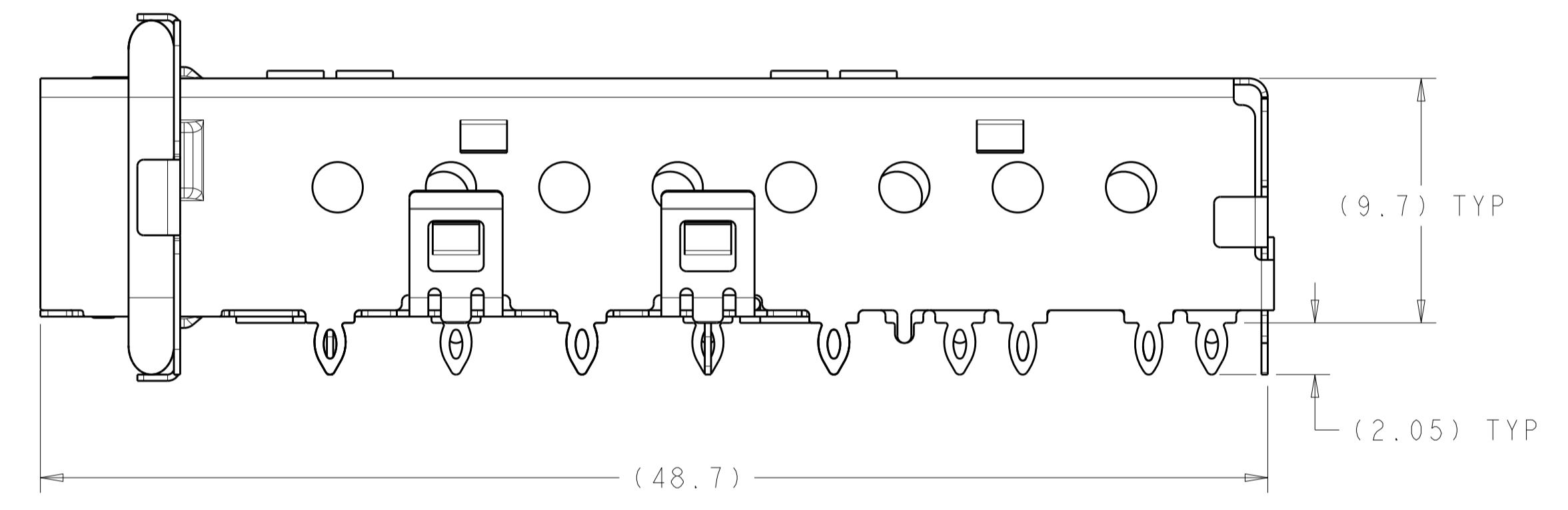
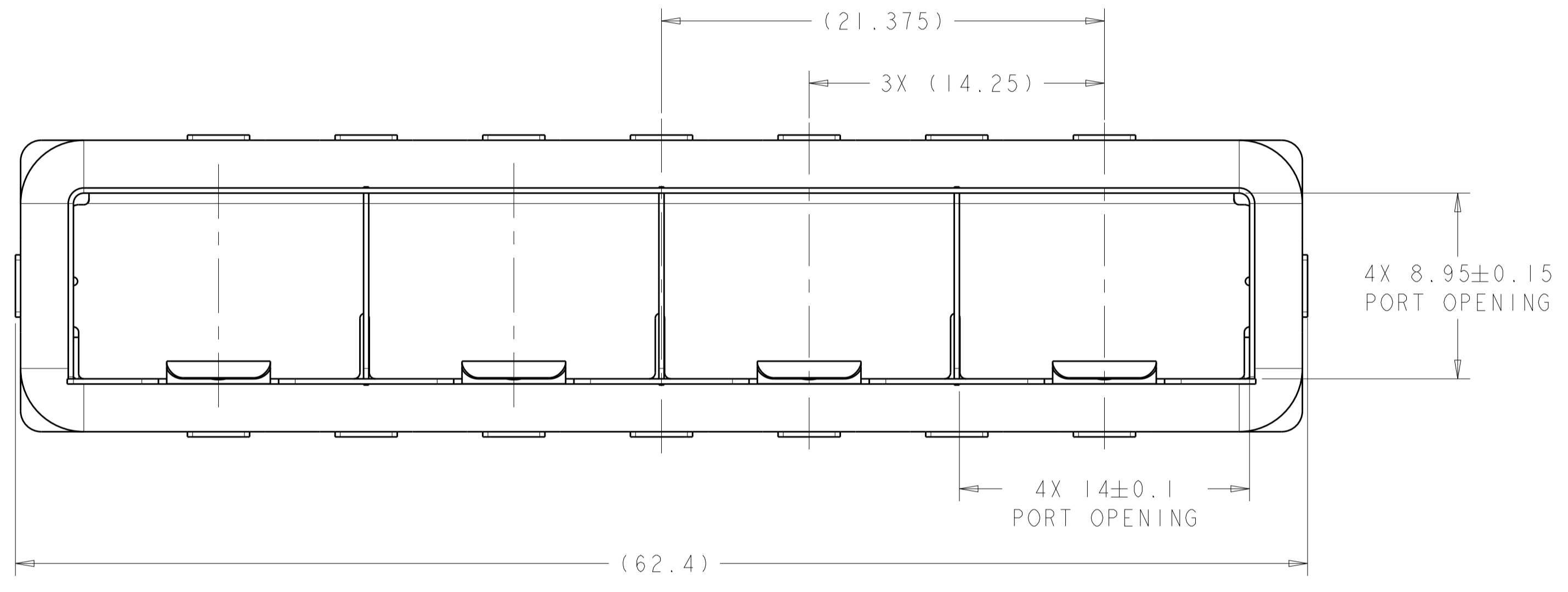


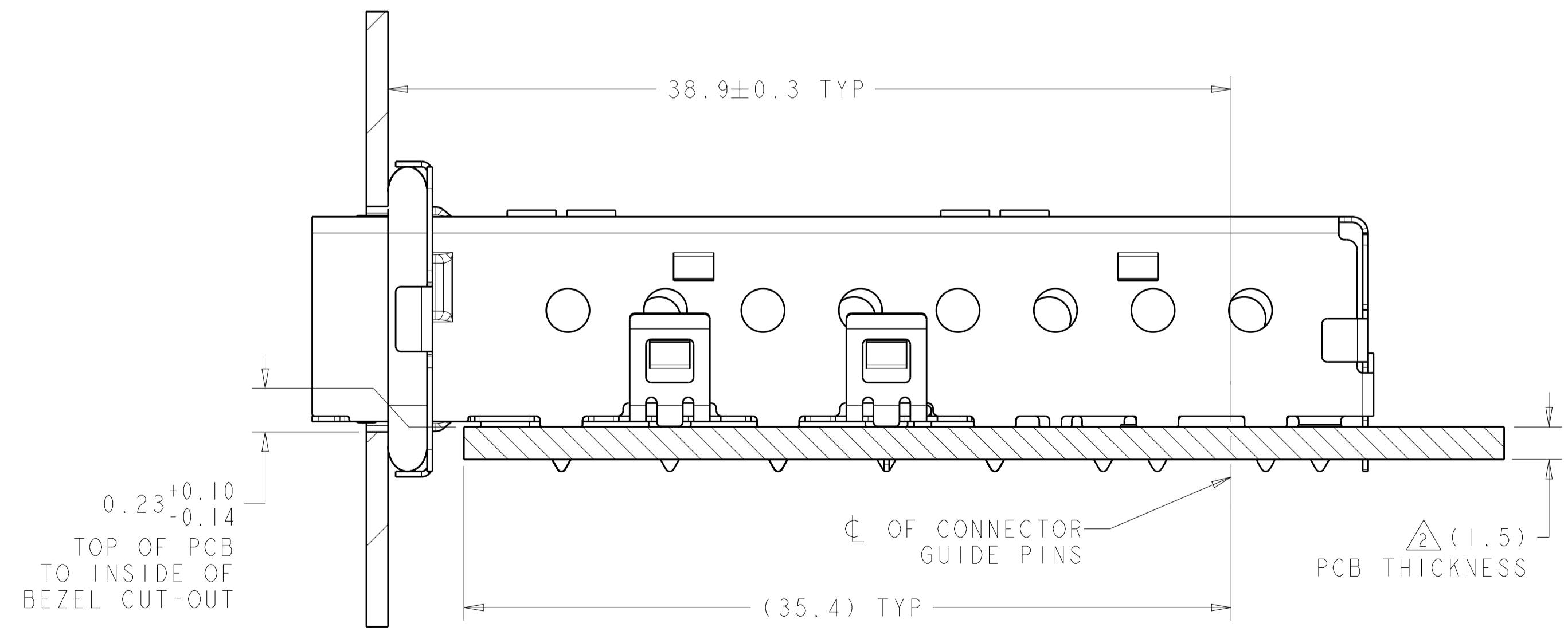
LOC		DIST		REVISIONS			
P	LTN	DESCRIPTION	DATE	DMN	APVD		
B		RELEASED PER ECO-09-022874	9OCT2009	ZMR	MRS		
C		REVISED PER ECO-12-014021	29SEP2012	TD	AC		
C1		REVISED PER ECO-14-003229	05MAR2014	PP	SH		



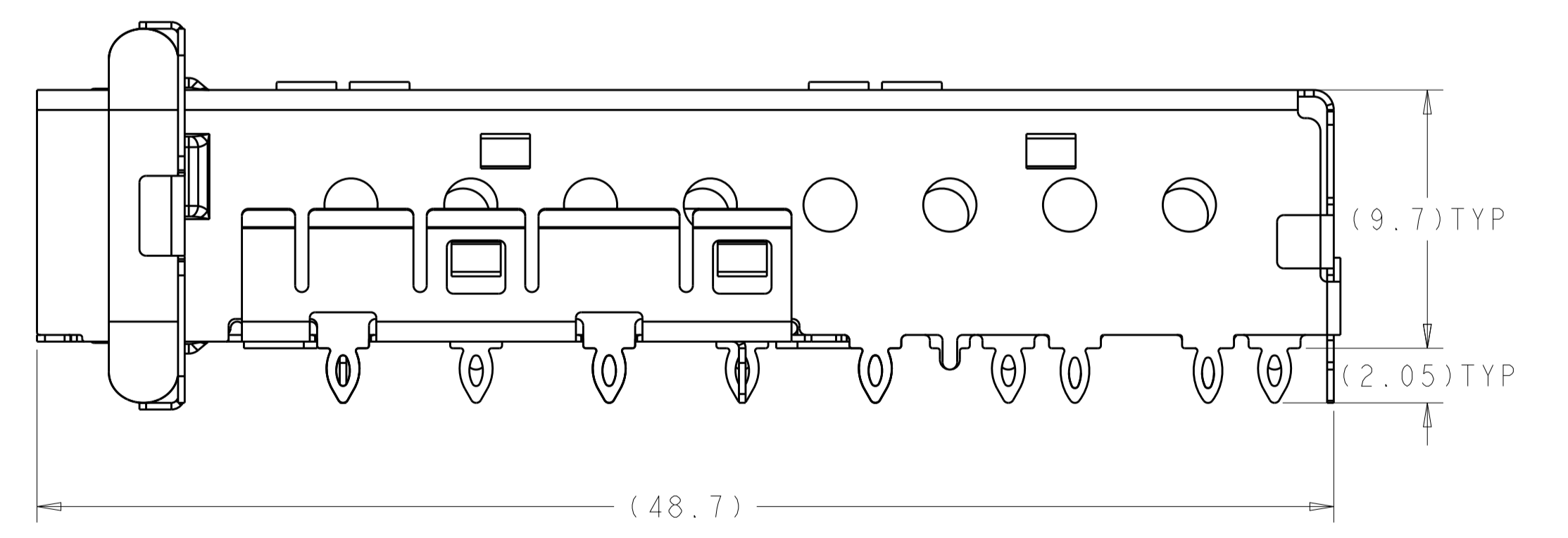
- 1 MATERIAL:
 CAGE ASSEMBLY: 0.25mm THICK NICKEL SILVER ALLOY
 GASKET RETENTION PLATE: STAINLESS STEEL
 GASKET: PLATED FILLED SILICONE
- 2 MINIMUM PC BOARD THICKNESS = 1.50mm.
- 3 PADS AND VIAS CHASSIS GROUND.
- 4 DATUM AND BASIC DIMENSION ESTABLISHED BY CUSTOMER.
- 5. MATES WITH SFP MSA COMPLIANT TRANSCEIVERS.
- 6. INTERPRETATION OF DATUM REFERENCE FRAME IN ACCORDANCE WITH SECT 4.4.1.1 OF ASME Y14.5M-1994.
- 7 REFERENCE APPLICATION SPEC. 114-13120, HOLE A, FOR RECOMMENDED DRILL HOLE DIAMETER AND PLATING THICKNESS.
- 8 REFERENCE APPLICATION SPEC. 114-13120, HOLE B, FOR RECOMMENDED DRILL HOLE DIAMETER AND PLATING THICKNESS.
- 9 HOLE PATTERN REPEATS FOR EACH PORT. SPACING BETWEEN PORTS IS 14.25mm.
- 10. PRODUCT COMPLIES WITH SPECIFICATION SFF-8433 IMPROVED PLUGGABLE FORM FACTOR FOR SFP+ GANGED CAGES.



P/N:2007135-1 AS SHOWN



2007135-1/3 MOUNTED PC BOARD SHOWN THRU RECOMMENDED BEZEL



P/N:2007135-3 AS SHOWN

WITH SPECIAL BOTTOM CAGE	2007135-3
WITH ORIGINAL BOTTOM CAGE	2007135-1
NOTE	PART NUMBER

THIS DRAWING IS A CONTROLLED DOCUMENT.		DMN M. SCHMITT 21JUN2007	TE Connectivity
DIMENSIONS: mm		CHK M. SCHMITT 21JUN2007	
TOLERANCES UNLESS OTHERWISE SPECIFIED:		APVD B. WERTZ 21JUN2007	NAME
0 PLC	±0.1	PRODUCT SPEC	SFP+ 1X4 CAGE ASSEMBLY
1 PLC	±0.1	108-2364	PRESS FIT, EMI GASKET
2 PLC	±0.1	APPLICATION SPEC	
3 PLC	±0.1	114-13120	SIZE
4 PLC	±0.1	WEIGHT	A100779C=2007135
ANGLES	±1°	Customer Drawing	RESTRICTED TO
MATERIAL		SCALE 5:1	SHEET 1 OF 2
FINISH			REV C1

