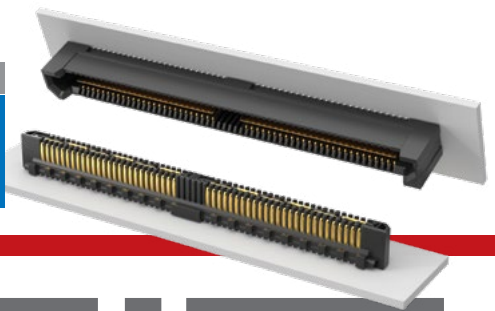




NRZ
28
Gbps



(0.80 mm) .0315" PITCH • QRM8/QRF8 SERIES

QRM8
Board Mates:
QRF8

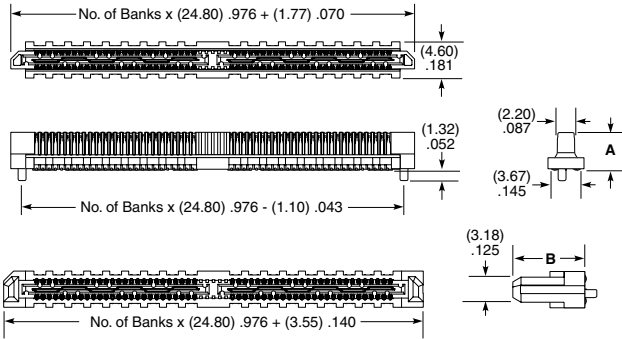
QRF8
Board Mates:
QRM8

QRM8/QRF8
Cable Mates:
EQRD

SPECIFICATIONS

Insulator Material:
Black LCP
QRM8 Terminal Material:
Phosphor Bronze
QRF8 Contact Material:
BeCu
Ground Plane Material:
Phosphor Bronze
Plating:
Au or Sn over
50 μ" (1.27 μm) Ni
Current Rating:
Contact:
2.2 A per pin (2 pins powered)
Ground:
8.5 A per ground plane
(1 ground plane powered)
Operating Temp Range:
-55 °C to +125 °C
Voltage Rating:
215 VAC
Max Cycles:
100

QRM8	PINS PER ROW NO. OF PAIRS	LEAD STYLE	PLATING OPTION	TYPE	A	OTHER OPTIONS
	-026, -052, -078 (52 total pins per bank = -D)	-02.0 = 2 mm Body Height (N/A -054 & -078 Positions)	-L = 10 μ" (0.25 μm) Gold on contact, Matte Tin on tail	-D = Single- Ended		-GP = Guide Post
	-018, -036, -054 (18 pairs per bank = -D-DP)	-05.0 = 5 mm Body Height	-S = 30 μ" (0.76 μm) Gold on contact, Matte Tin on tail	-D-DP = Differential Pair		-K = (5.00 mm) .197" DIA Polyimide Film Pick & Place Pad
		-07.0 = 7 mm Body Height				-TR = Tape & Reel (-018, -026, -036, -052 only)
						-FR = Full Reel Tape & Reel (must order maximum quantity per reel; contact Samtec for quantity breaks) (-018, -026, -036, -052 only)



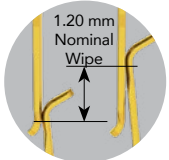
LEAD STYLE	A	B
-02	(4.81) .189	(6.12) .241
-05	(7.81) .307	(9.12) .359
-07	(9.78) .385	(11.12) .438

-GP OPTION

View complete specifications at: samtec.com?QRM8

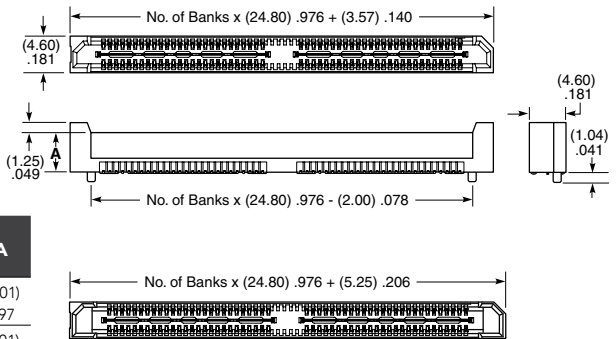
PROCESSING

Lead-Free Solderable:
Yes
SMT Lead Coplanarity:
(0.10 mm) .004" max
(018-026)
0.15 mm) .006" max
(036-078)*
*(.004" stencil solution
may be available; contact
ipg@samtec.com)
Board Stacking:
For applications requiring
more than two connectors
contact ipg@samtec.com



Note:
Some lengths, styles and
options are non-standard,
non-returnable.

QRF8	PINS PER ROW NO. OF PAIRS	LEAD STYLE	PLATING OPTION	TYPE	A	OTHER OPTIONS
	-026, -052, -078 (52 total pins per bank = -D)	-05.0 = 5 mm Body Height	-L = 10 μ" (0.25 μm) Gold on contact, Matte Tin on tail	-D = Single-Ended		-GP = Guide Post
	-018, -036, -054 (18 pairs per bank = -D-DP)	-07.0 = 7 mm Body Height	-S = 30 μ" (0.76 μm) Gold on contact, Matte Tin on tail	-D-DP = Differential Pair		-K = (5.00 mm) .197" DIA Polyimide Film Pick & Place Pad
						-TR = Tape & Reel (-018, -026, -036, -052 only)
						-FR = Full Reel Tape & Reel (must order max. quantity per reel; contact Samtec for quantity breaks) (-018, -026, -036, -052 only)



LEAD STYLE	A
-05	(5.01) .197
-07	(7.01) .276

MATED HEIGHT*		
QRF8 LEAD STYLE	QRM8 LEAD STYLE	
	-02.0	-05.0
-05	(7.00) .276	(10.00) .394
		(12.00) .472
-07	(9.00) .354	(12.00) .472
		(14.00) .551

*Processing conditions will affect mated height. See SO Series for board space tolerances.

-GP OPTION

View complete specifications at: samtec.com?QRF8