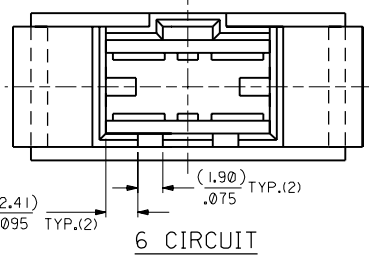
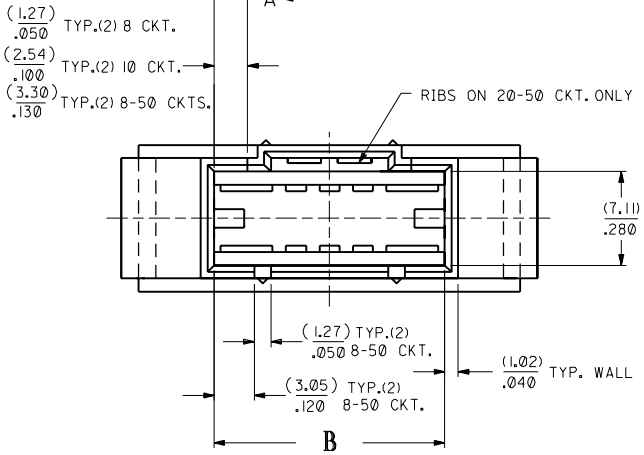
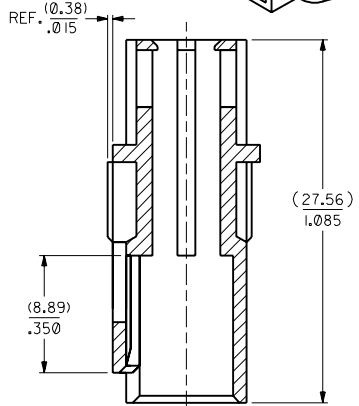
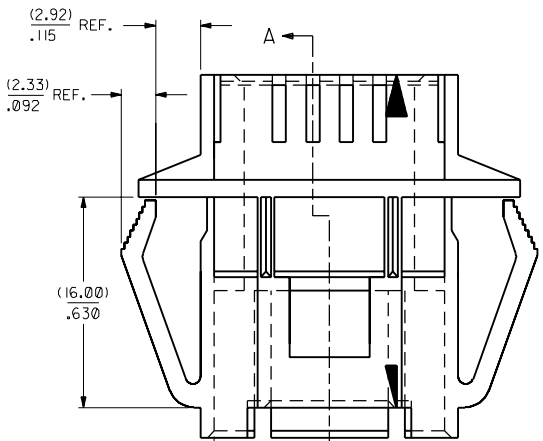
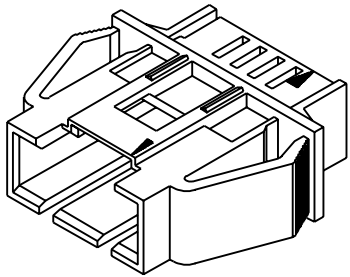
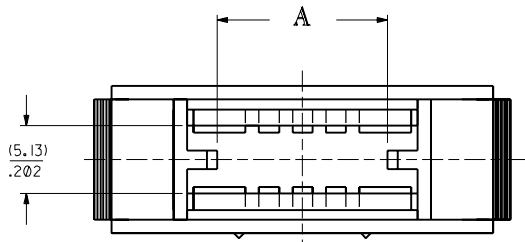


OPTION "A"

- NOTES:
 1) MATERIAL: POLYESTER 94V-0, GLASS FILLED,
 COLOR: BLACK
 2) SEE CHART FOR CIRCUIT SIZES.
 3) HOUSING TO BE USED WITH 70475 SERIES HOUSINGS
 (OPTION D) AND DUAL ROW INTERIM CLIP 70013-N*.
 SEE PAGE 4 FOR ADDITIONAL 50 CIRCUIT, OPTION
 "A" MATING INTERIM CLIPS.
 4) PANEL THICKNESS (0.81)/.032 - (2.36)/.093.
 5) PACKAGE PER PK-70022-100.



OPTION "A"				
CKT. SIZE	EDP. NO.	ENG. NO.	DIM. "A"	DIM. "B"
4	NOT TOOLED	X-70022-0009	(5.21) .205	(9.91) .390
6	50-65-0006	70022-0001	(7.75) .305	(12.45) .490
8	50-65-0008	70022-0007	(10.29) .405	(14.99) .590
10	50-65-0010	70022-0002	(12.83) .505	(17.53) .690
12	50-65-0012	70022-0012	(15.37) .605	(20.07) .790
14	50-65-0014	70022-0014	(17.91) .705	(22.61) .890
16	50-65-0016	70022-0016	(20.45) .805	(25.15) .990
18	50-65-0018	70022-0018	(22.99) .905	(27.69) 1.090
20	50-65-0020	70022-0003	(25.53) 1.005	(30.23) 1.190
22	50-65-0022	70022-0022	(28.07) 1.105	(32.77) 1.290
24	50-65-0024	70022-0024	(30.61) 1.205	(35.31) 1.390
26	50-65-0026	70022-0026	(33.15) 1.305	(37.85) 1.490
28	50-65-0028	70022-0028	(35.69) 1.405	(40.39) 1.590
30	50-65-0030	70022-0004	(38.23) 1.505	(42.93) 1.690
32	50-65-0032	70022-0032	(40.77) 1.605	(45.47) 1.790
34	50-65-0034	70022-0034	(43.31) 1.705	(48.01) 1.890
36	50-65-0036	70022-0036	(45.85) 1.805	(50.55) 1.990
38	50-65-0038	70022-0038	(48.39) 1.905	(53.09) 2.090
40	50-65-0040	70022-0005	(50.93) 2.005	(55.63) 2.190
42	50-65-0042	70022-0042	(53.47) 2.105	(58.17) 2.290
44	50-65-0051	70022-0044	(56.01) 2.205	(60.71) 2.390
46	50-65-0046	70022-0046	(58.55) 2.305	(63.25) 2.490
48	50-65-0048	70022-0048	(61.09) 2.405	(65.79) 2.590
50	50-65-0050	70022-0006	(63.63) 2.505	(68.33) 2.690

ADDITIONAL SHEET 4 50 CKT. MATED OPT. ENC. U00986 11/27/93 HPA REVISIONS 1-11-94 MJK 1-11-94 MJK 1-11-94 MJK		DIMENSIONS SHOWN METRIC INCH UNLESS OTHERWISE SPECIFIED TOLERANCES ANGULAR ± 1/2° INCH METRIC 3 PLACE ± .010 --- 2 PLACE ± .014 ± 0.25 1 PLACE --- ± 0.35		TITLE HOUSING, PANEL MOUNT (DUAL ROW) (OPT. D HSG. TO DUAL ROW CLIP)	
ADD PKG NOTE PER UDT2000-0468 SCHAFFER 93/12/1		REPLACES SD-70022-0001-0040 PER ECR 1-09-90 06-28-90 MJM/DJK		SHEET NO. 4 OF 4 DATE 06/28/90 PART NO. L15LJLL 69532 U.S.A. DRWG. NO. SD-70022-*****	
LTR. REVISIONS LTR. REVISIONS		DRWG. BY DJK CHKD. BY MJM APP'D. BY MJM SCALE 4:1		THIS DRAWING CONTAINS INFORMATION THAT IS PROPRIETARY TO MOLEX INC. AND SHOULD NOT BE USED WITHOUT WRITTEN PERMISSION.	