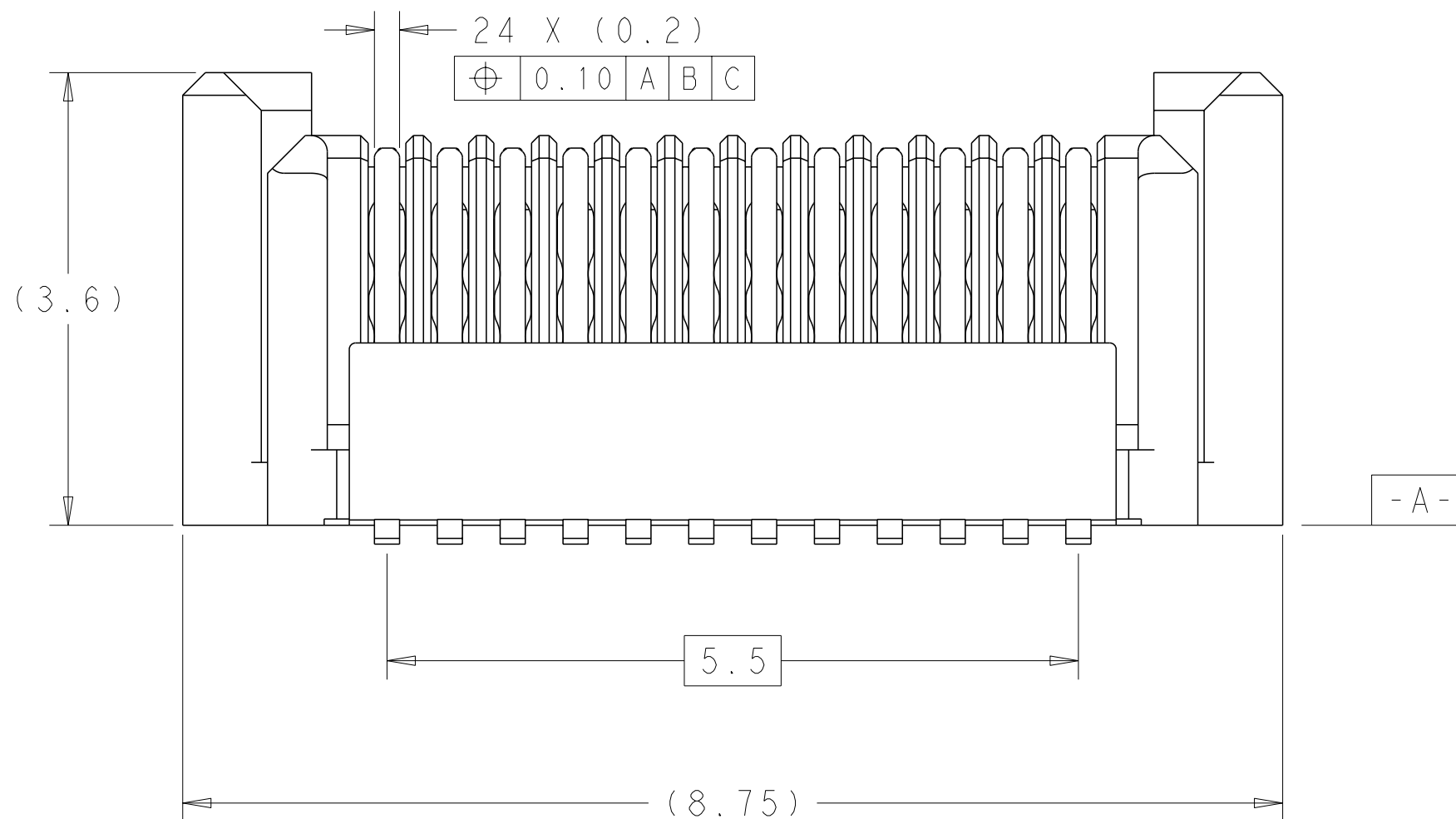
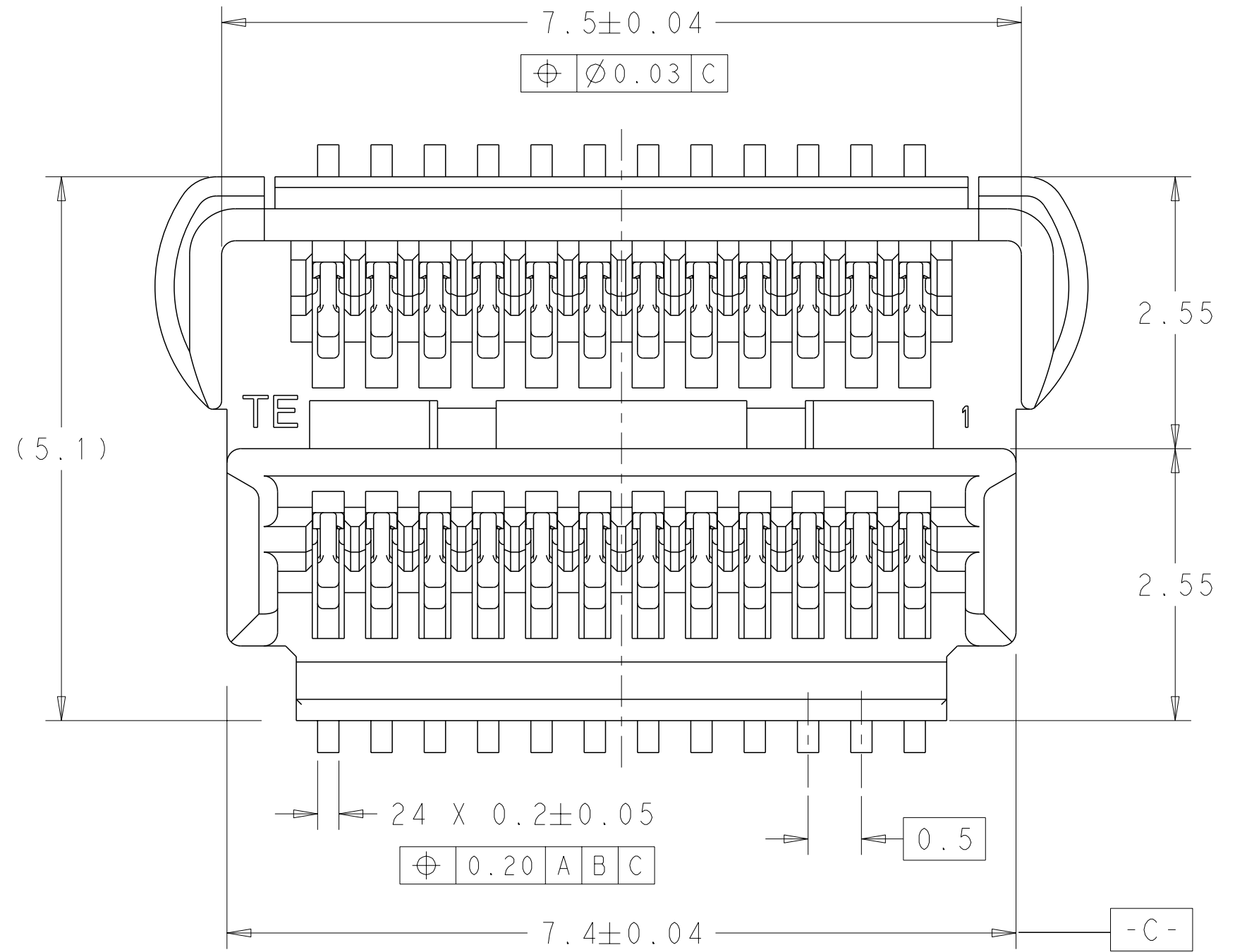


THIS DRAWING IS UNPUBLISHED. RELEASED FOR PUBLICATION 20
 © COPYRIGHT 20 ALL RIGHTS RESERVED.

LOC		DIST		REVISIONS			
P	LTR	DESCRIPTION	DATE	DWN	APVD		
	A1	REVISED PER ECR-15-008402	04JUN2015	I.T	W.H		



NOTES:

1. MATERIALS:

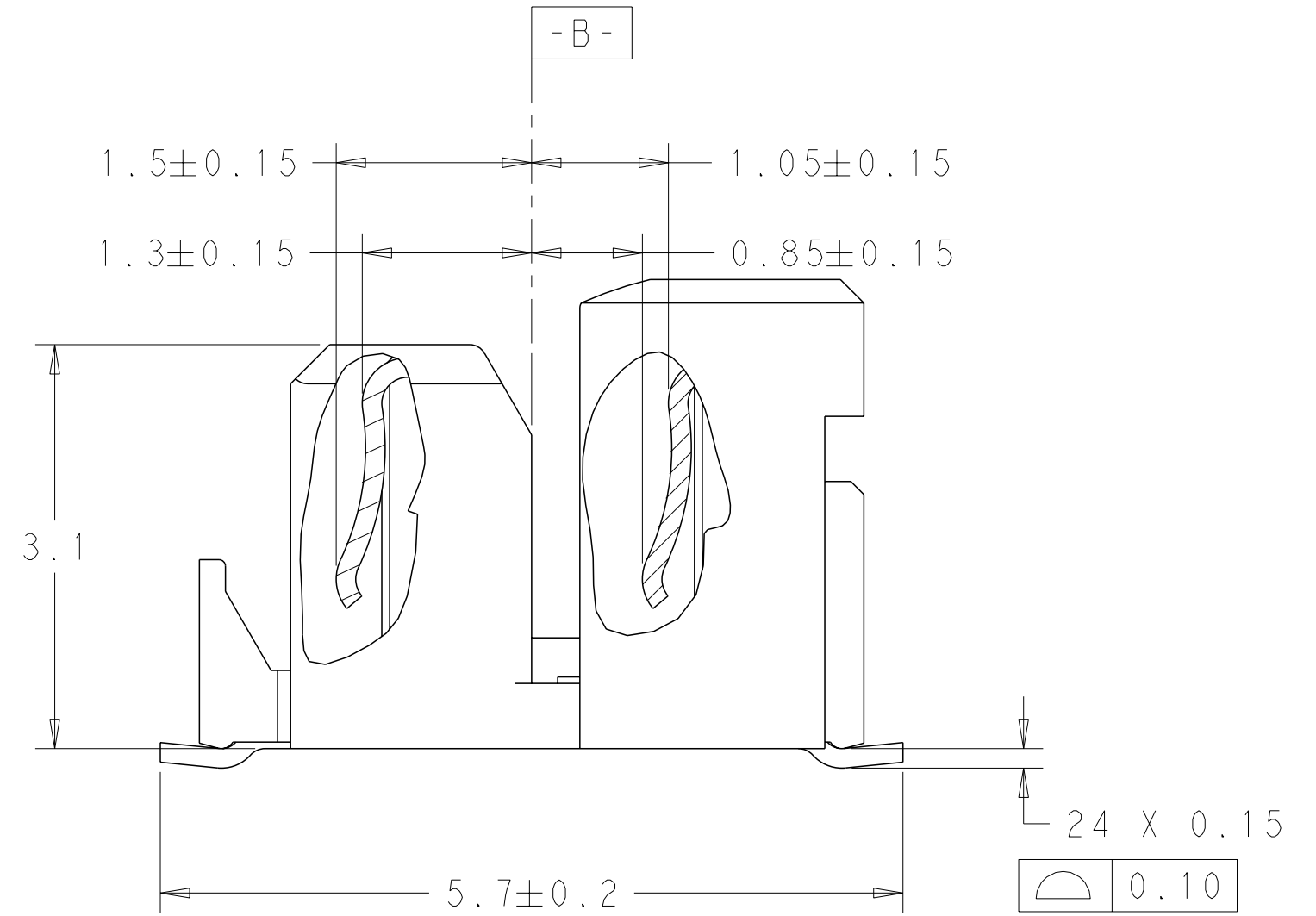
HOUSING: L.C.P (HIGH TEMP THERMO PLASTIC) UL 94V-0

CAP: L.C.P (HIGH TEMP THERMO PLASTIC) UL 94V-0

CONTACT: COPPER ALLOY

2. FINISH:

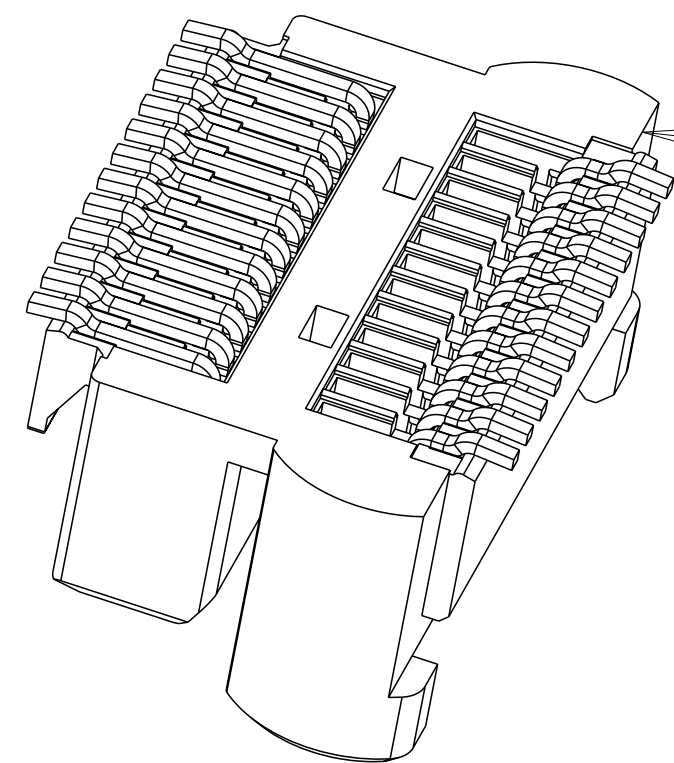
ENGAGEMENT AREA: 0.00038MM MIN GOLD
 SOLDERING AREA: 0.00005MM MIN GOLD
 UNDERCOAT: 0.00127MM MIN NICKEL ALL OVER



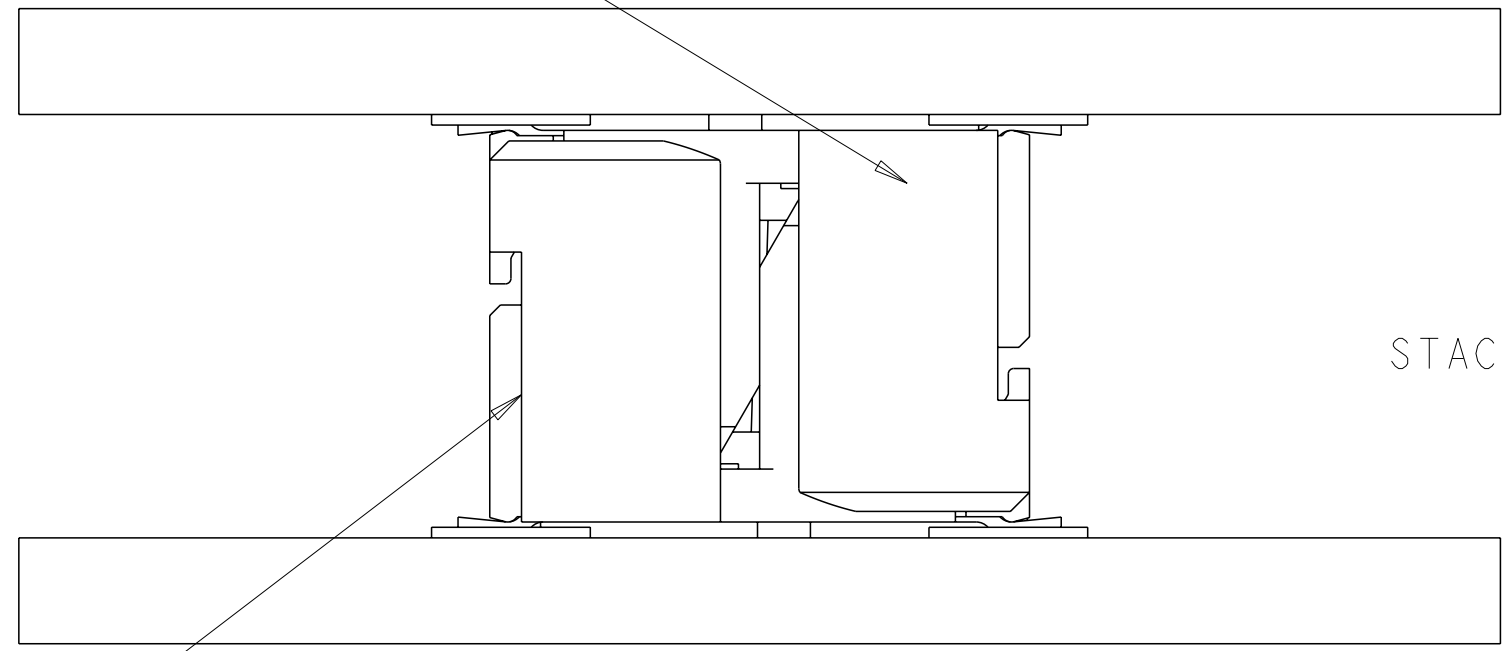
THIS DRAWING IS A CONTROLLED DOCUMENT.		DWN: 29 JUL 2012 IVAN TIAN	STE TE Connectivity
DIMENSIONS: mm		CHK: 29 JUL 2012 WENKE HE	
TOLERANCES UNLESS OTHERWISE SPECIFIED:		APVD: 29 JUL 2012 STEVEN YAO	NAME: 0.5MM FINE STACKING BTB, 24 POS 4MM HEIGHT, EMBOSS, WITH CAP HERMAPHRODITIC TYPE CONNECTOR
0 PLC ± 1 PLC ±0.30 2 PLC ±0.10 3 PLC ± 4 PLC ±		PRODUCT SPEC: 108-115057	SIZE: A2
ANGLES ±1°		APPLICATION SPEC: 114-115008	CAGE CODE: 00779
FINISH		WEIGHT: 0.167 G	DRAWING NO: C-2199070
SEE NOTE 1		CUSTOMER DRAWING	RESTRICTED TO: /
SEE P/N TABLE		SCALE: 1:1	SHEET 1 OF 5
			REV A1

THIS DRAWING IS UNPUBLISHED. RELEASED FOR PUBLICATION 20
 © COPYRIGHT 20 ALL RIGHTS RESERVED.

LOC		DIST		REVISIONS			
P	LTR	DESCRIPTION	DATE	DWN	APVD		
CN	-						

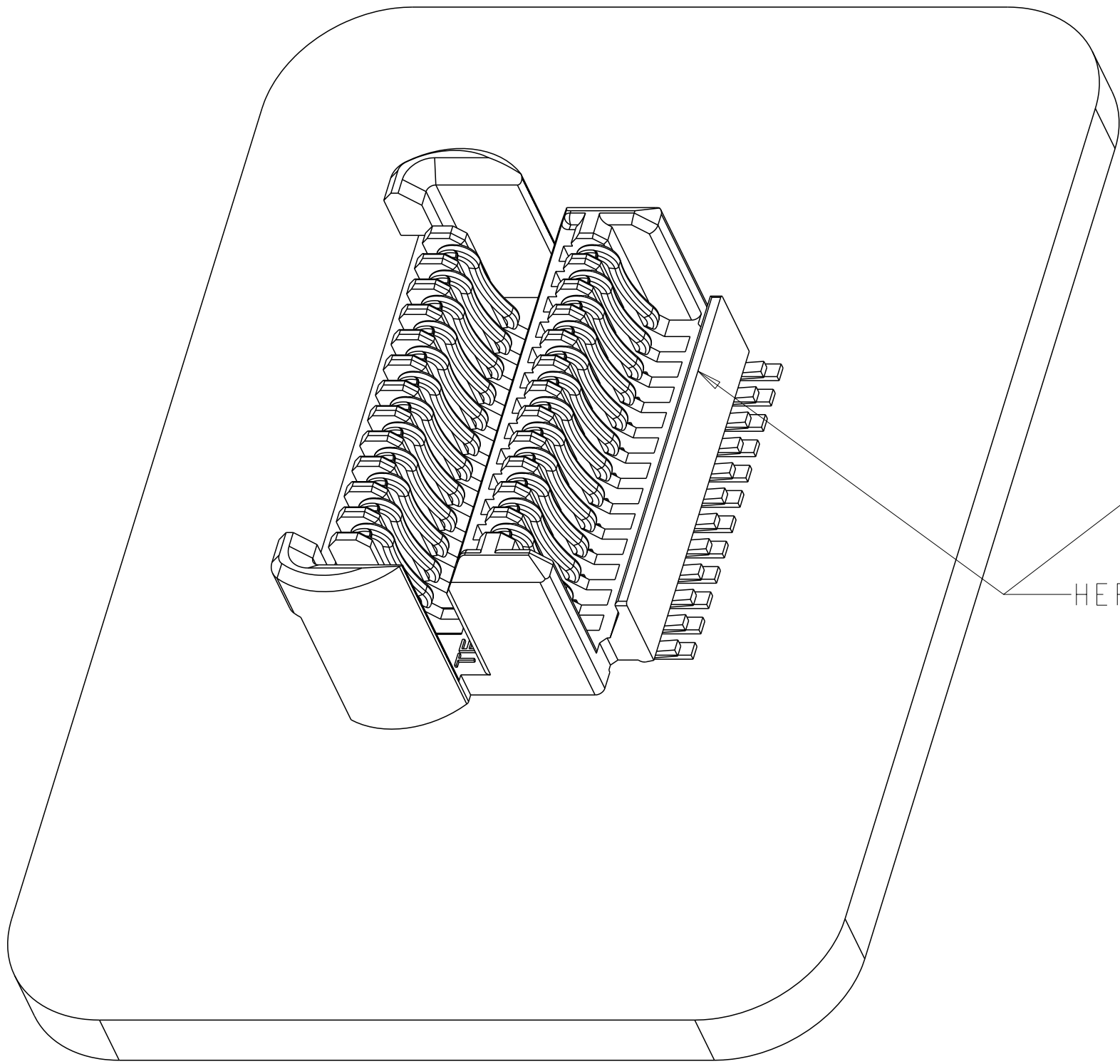


HERMAPHRODITIC CONNECTOR 1



4.0
STACKING HEIGHT

MATED WITH SAME CONNECTOR



HERMAPHRODITIC CONNECTOR 2

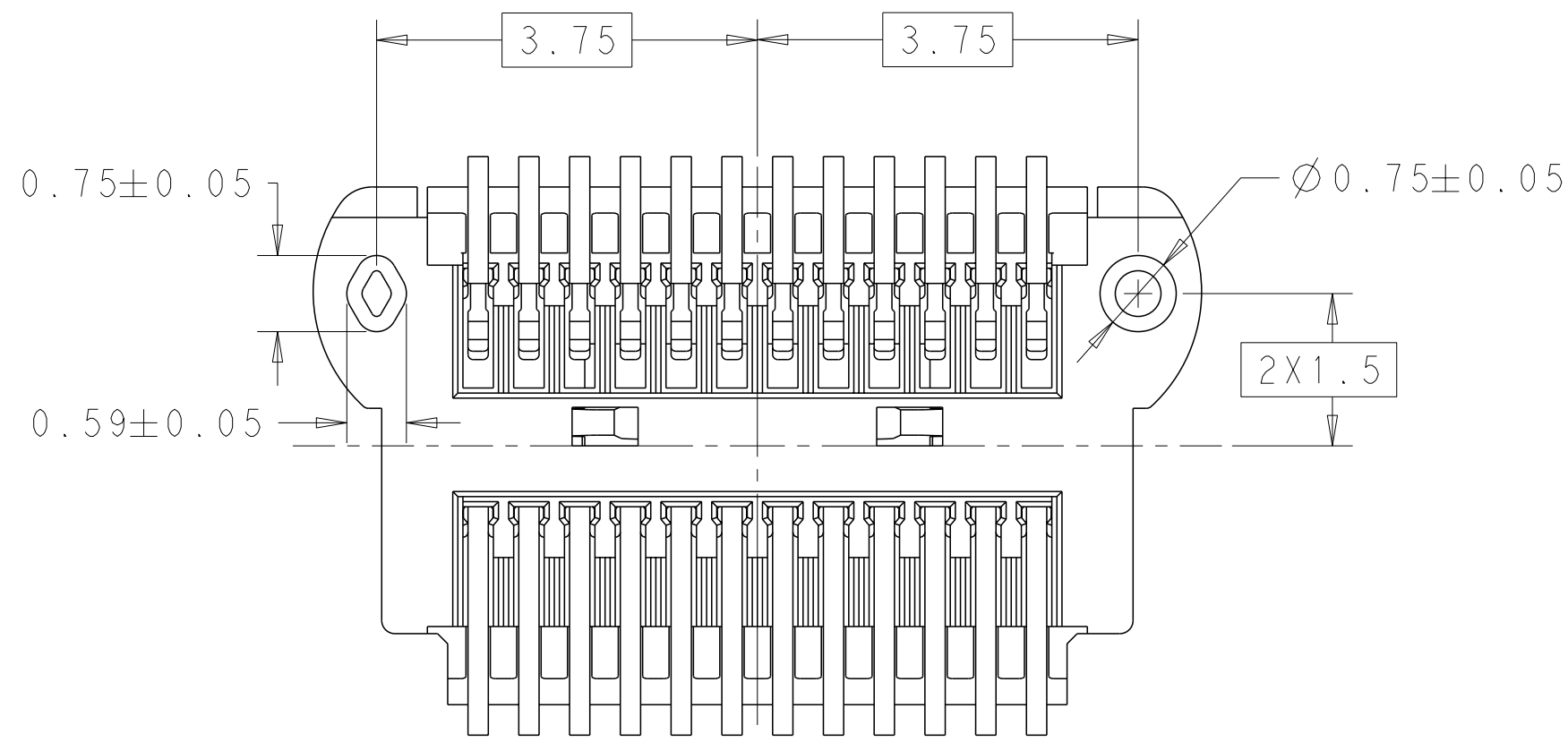
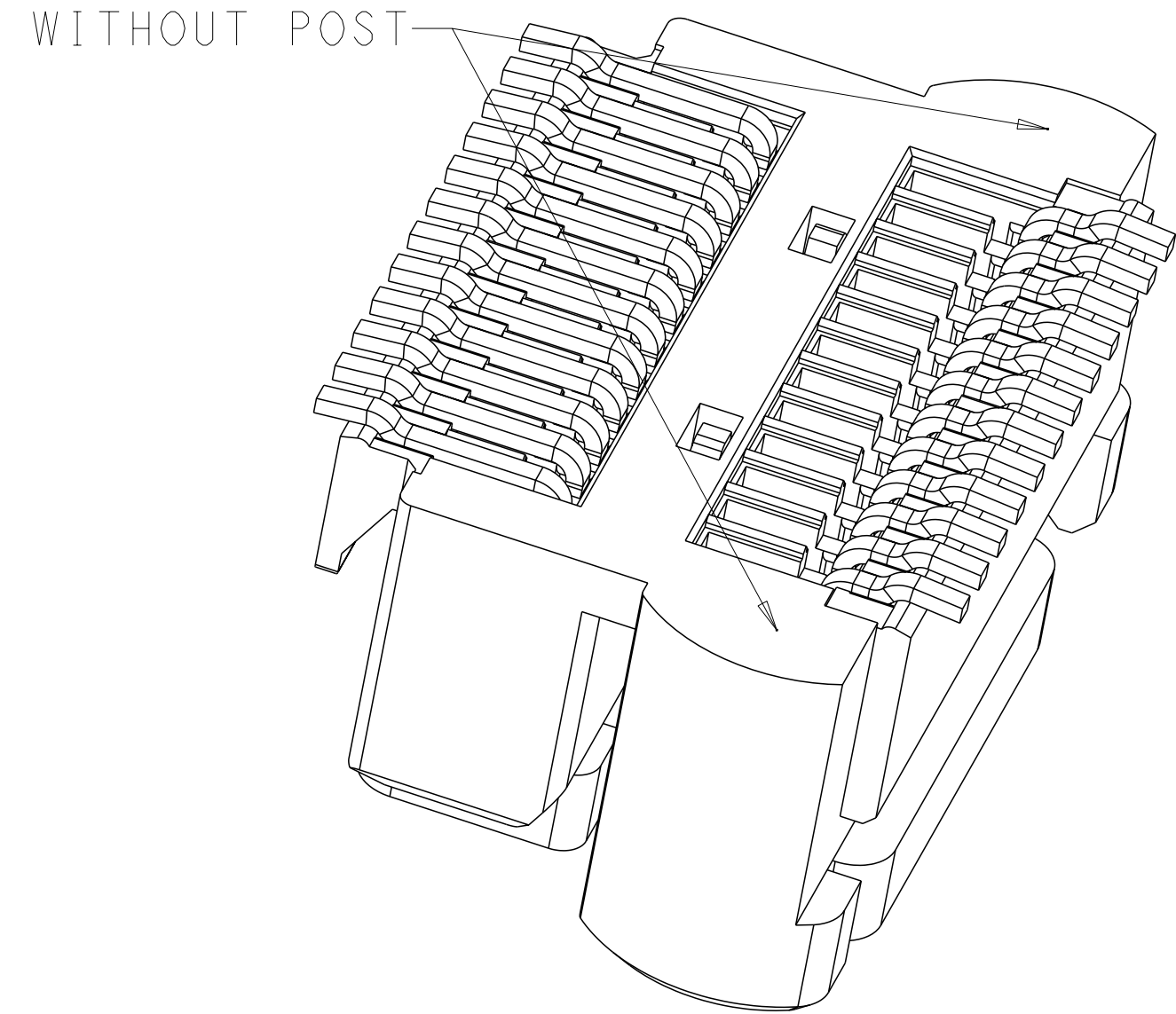
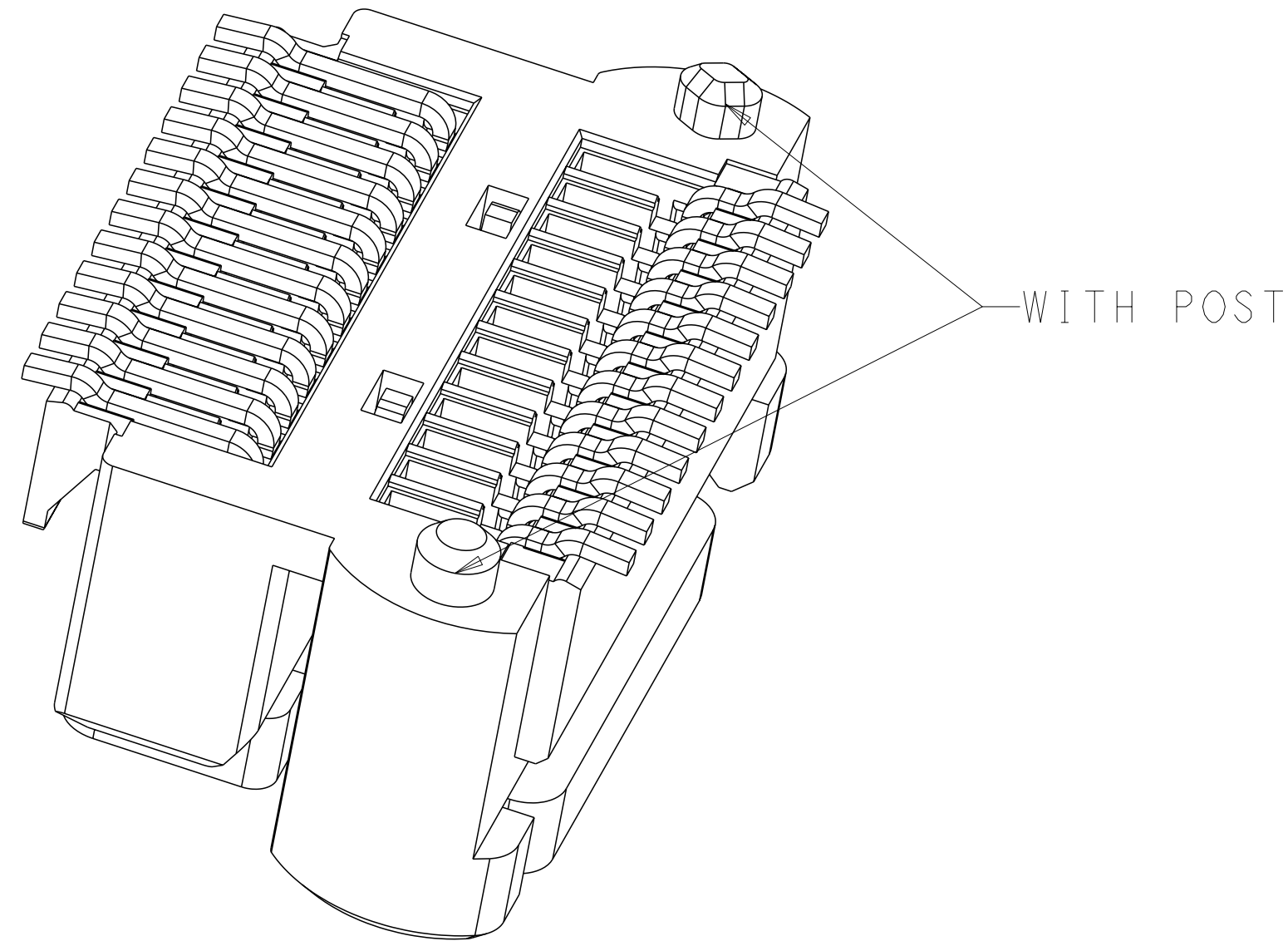
THIS DRAWING IS A CONTROLLED DOCUMENT.		DWN	29 JUL 2012	TE Connectivity
DIMENSIONS:		CHK	29 JUL 2012	
mm		APVD	29 JUL 2012	
		PRODUCT SPEC		
TOLERANCES UNLESS OTHERWISE SPECIFIED:		NAME		0.5MM FINE STACKING BTB, 24 POS 4MM HEIGHT, EMBOSS, WITH CAP HERMAPHRODITIC TYPE CONNECTOR
0 PLC	±	SIZE	CAGE CODE	
1 PLC	±0.3	DRAWING NO		RESTRICTED TO
2 PLC	±0.10	A200779C-2199070		-
3 PLC	±	SCALE		11:1
4 PLC	±	SHEET		2 OF 5
ANGLES	±1°	REV		A1
FINISH	-	CUSTOMER DRAWING		

THIS DRAWING IS UNPUBLISHED. RELEASED FOR PUBLICATION 20
 © COPYRIGHT 20 ALL RIGHTS RESERVED.

LOC		DIST		REVISIONS			
P	LTR	DESCRIPTION	DATE	DWN	APVD		
CN	-						

1-2199070-4 AS SHOW

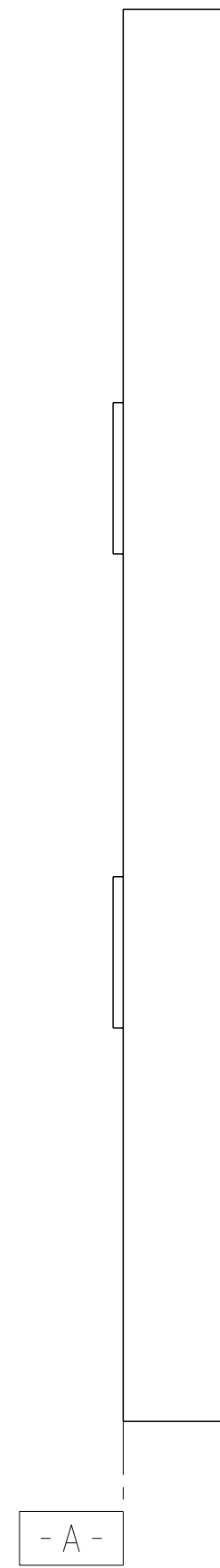
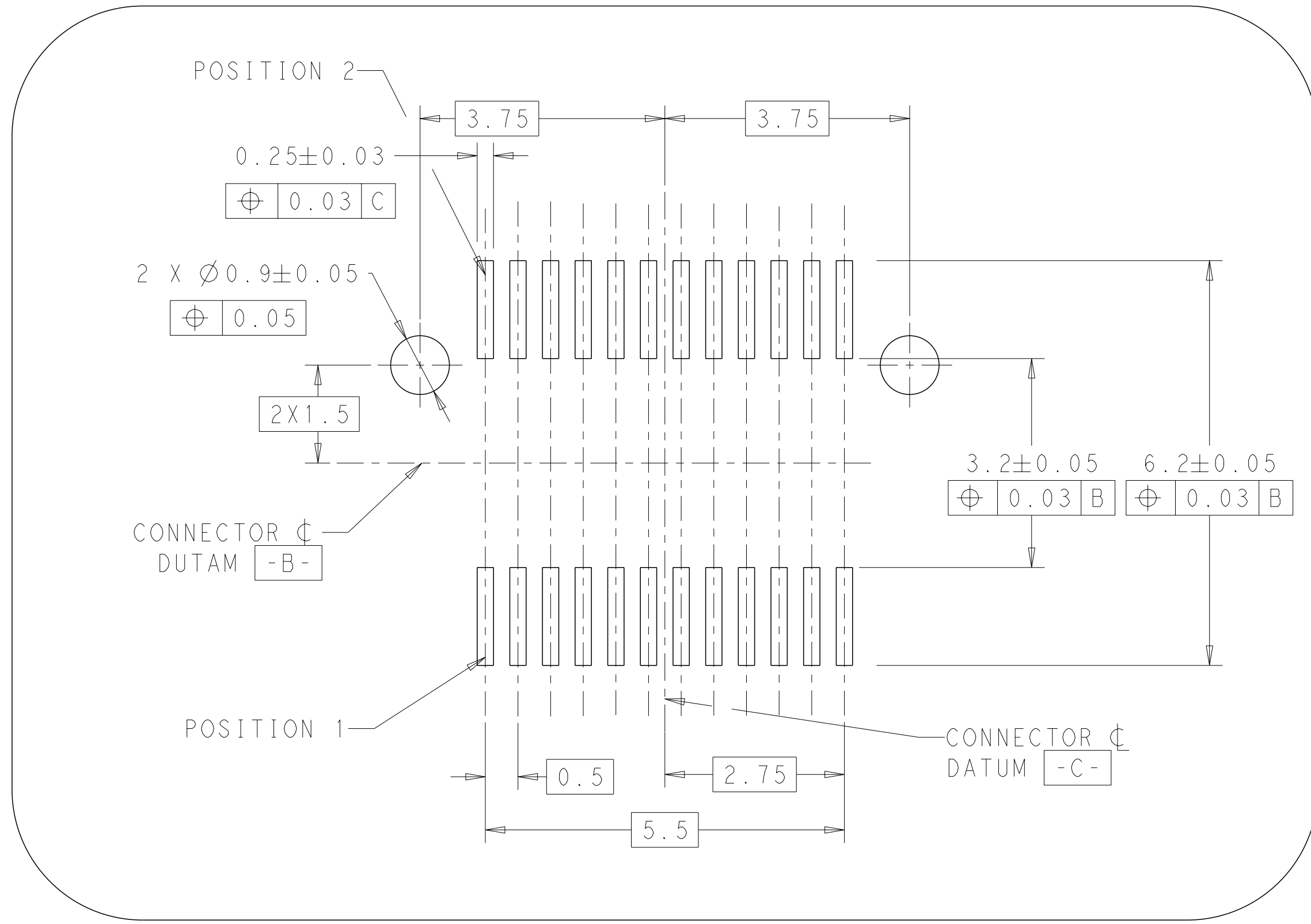
2199070-4 AS SHOW



THIS DRAWING IS A CONTROLLED DOCUMENT.		DWN	29 JUL 2012	TE Connectivity	NAME 0.5MM FINE STACKING BTB, 24 POS 4MM HEIGHT, EMBOSS, WITH CAP HERMAPHRODITIC TYPE CONNECTOR				
DIMENSIONS:		CHK	29 JUL 2012						
mm		APVD	29 JUL 2012						
TOLERANCES UNLESS OTHERWISE SPECIFIED: 0 PLC ± 1 PLC ±0.30 2 PLC ±0.10 3 PLC ± 4 PLC ± ANGLES ±1° FINISH		PRODUCT SPEC 108-115057 APPLICATION SPEC 114-115008 WEIGHT 0.167 G	SIZE A200779 CAGE CODE C-2199070			DRAWING NO C-2199070 RESTRICTED TO /			
MATERIAL		CUSTOMER DRAWING		SCALE	11:1	SHEET	3 OF 5	REV	A1
SEE NOTE 1		SEE P/N TABLE							

THIS DRAWING IS UNPUBLISHED. RELEASED FOR PUBLICATION 20
 © COPYRIGHT 20 ALL RIGHTS RESERVED.

LOC		DIST		REVISIONS			
P	LTR	DESCRIPTION	DATE	DWN	APVD		
CN	-						

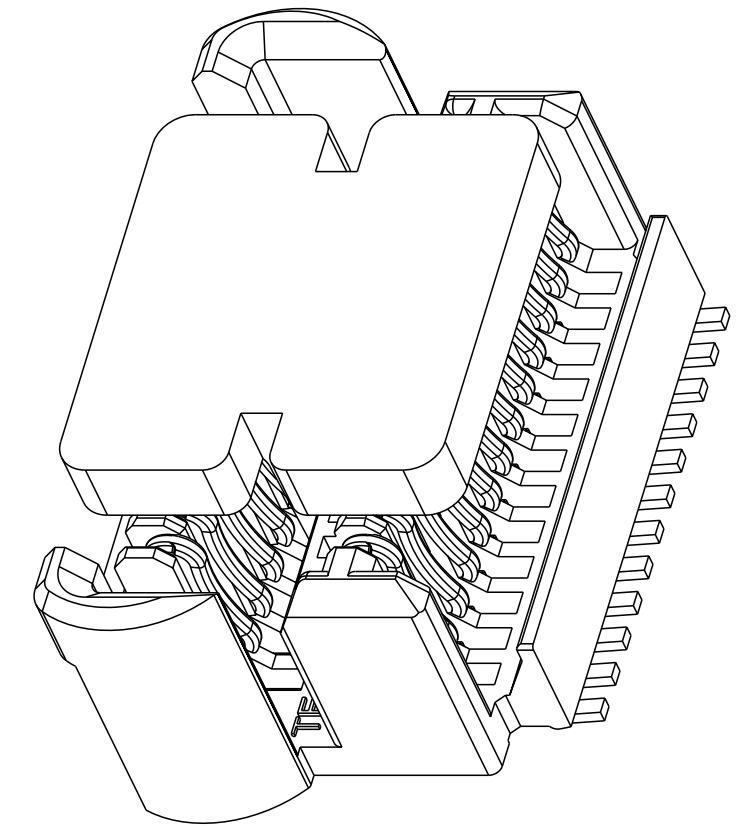
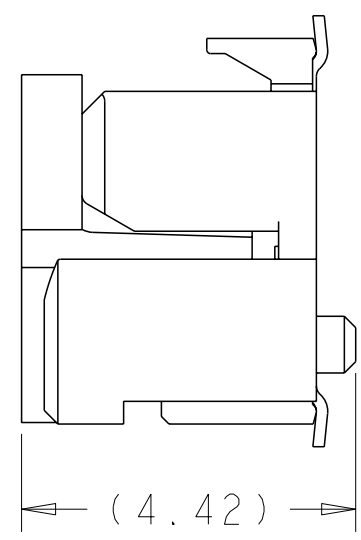
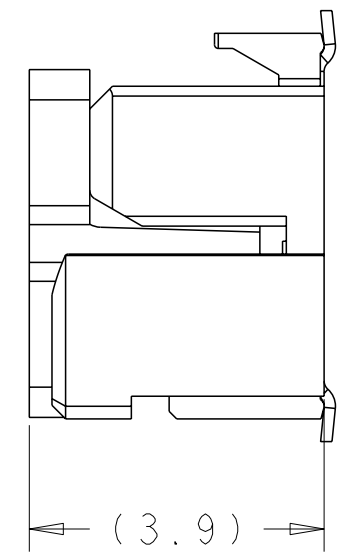
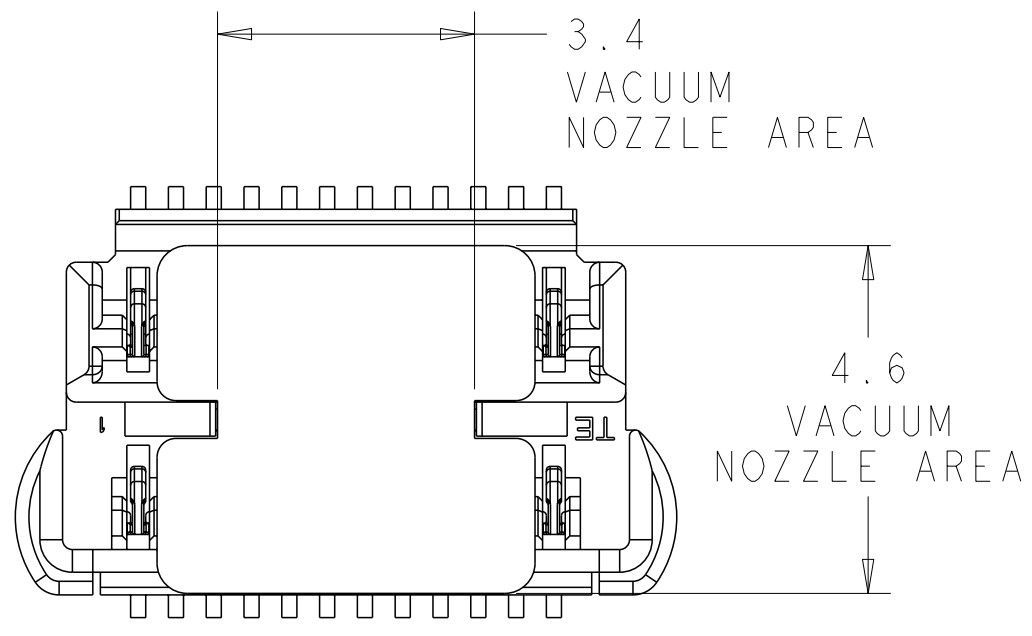
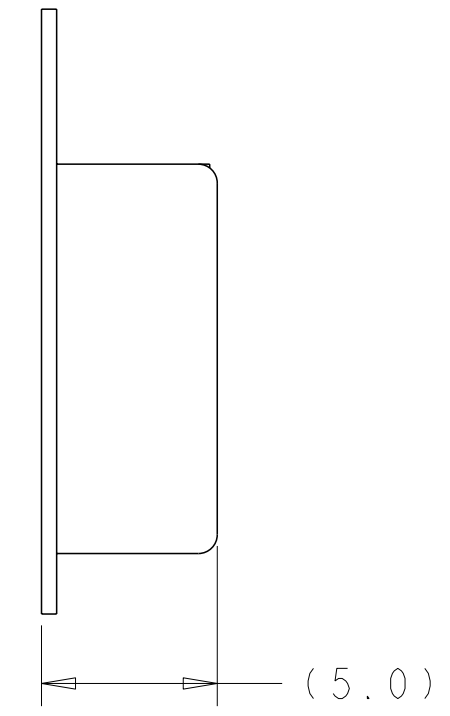
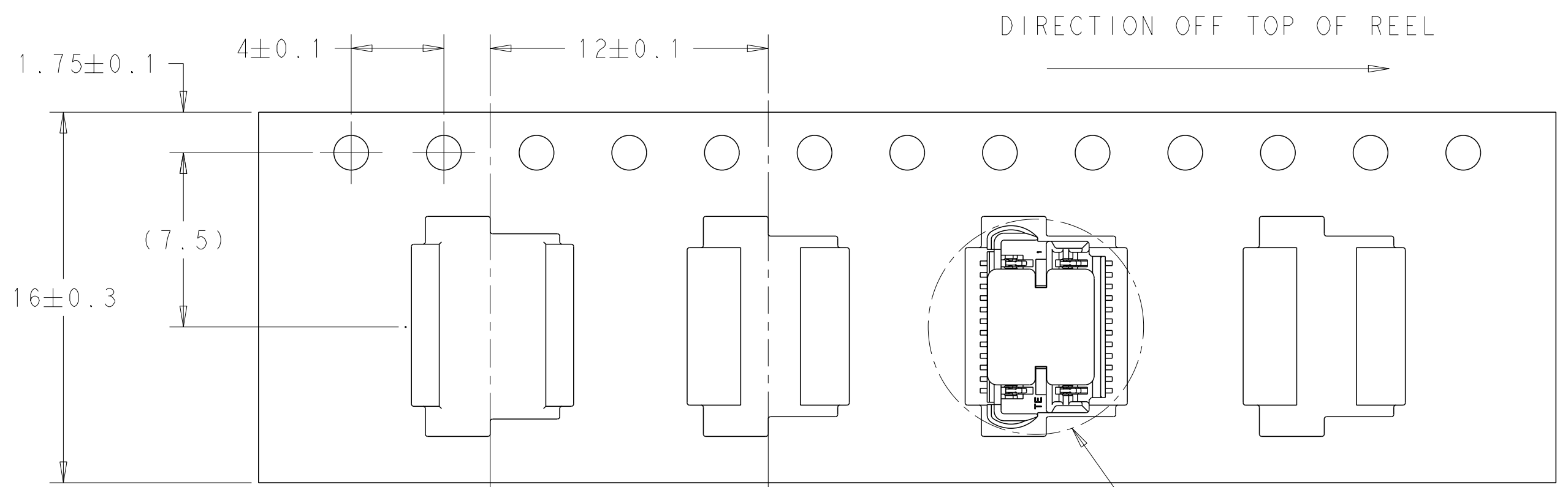


RECOMMENDED FOOTPRINT

THIS DRAWING IS A CONTROLLED DOCUMENT.		DWN	29 JUL 2012	 TE Connectivity	NAME		0.5MM FINE STACKING BTB, 24POS 4MM HEIGHT, EMBOSS, WITH CAP HERMAPHRODITIC TYPE CONNECTOR		
DIMENSIONS:		CHK	29 JUL 2012		SIZE			A200779	
mm		APVD	29 JUL 2012		CAGE CODE				C-2199070
		TOLERANCES UNLESS OTHERWISE SPECIFIED:			DRAWING NO				
MATERIAL		0 PLC ± 1 PLC ±0.3 2 PLC ±0.10 3 PLC ± 4 PLC ± ANGLES ±1° FINISH		APPLICATION SPEC		SCALE			
		CUSTOMER DRAWING		WEIGHT		11:1	SHEET 4 OF 5		
				PRODUCT SPEC		REV	A1		

THIS DRAWING IS UNPUBLISHED. RELEASED FOR PUBLICATION 20
 © COPYRIGHT 20 ALL RIGHTS RESERVED.

LOC		DIST		REVISIONS			
P	LTR	DESCRIPTION	DATE	DWN	APVD		
CN	-						

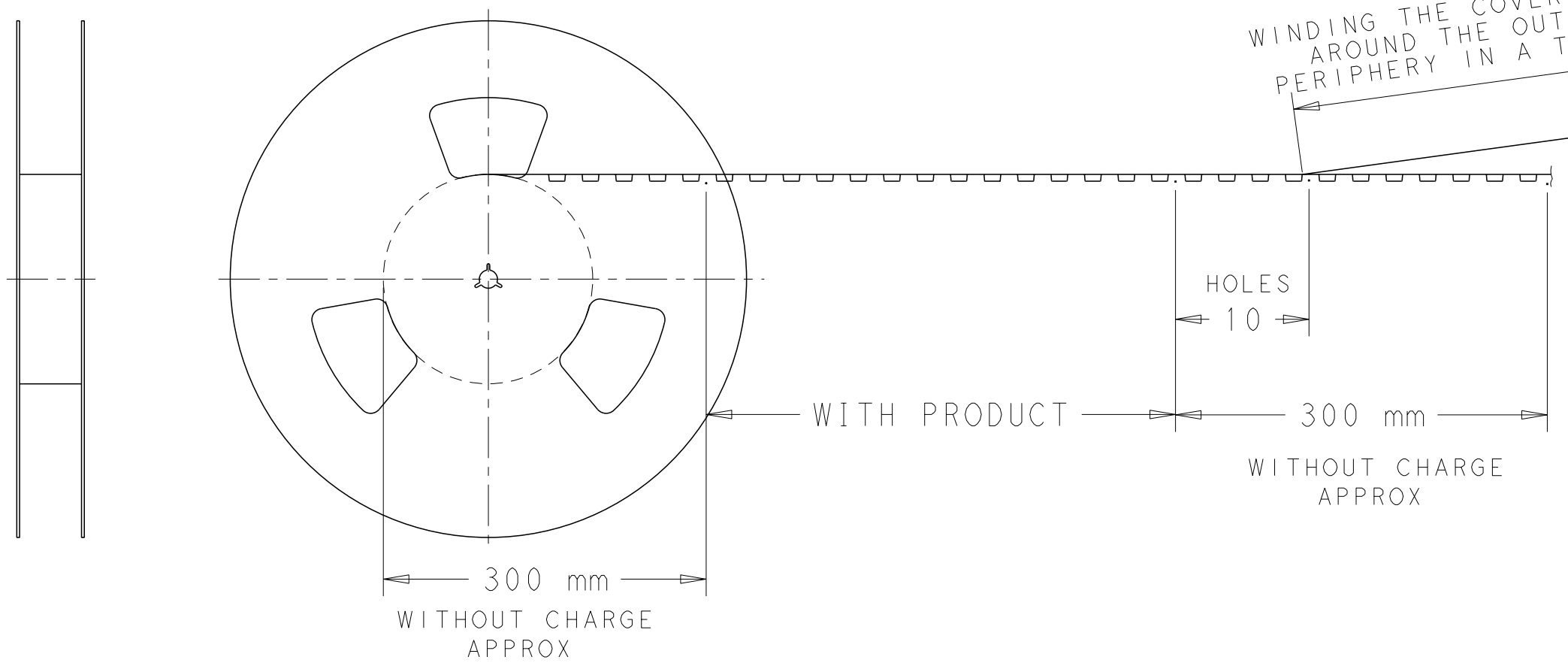


DETAIL CONNECTOR

WITHOUT POST

WITH POST

WINDING THE COVER TAPE AROUND THE OUTER PERIPHERY IN A TURN.



NATURAL	NATURAL	WITH	△2	1100	24	1-2199070-4
NATURAL	NATURAL	WITHOUT	△2	1100	24	2199070-4
CAP COLOR	HSG COLOR	LOCATION POST	FINISH	QTY/R	POS	P/N

THIS DRAWING IS A CONTROLLED DOCUMENT.

DIMENSIONS: mm	TOLERANCES UNLESS OTHERWISE SPECIFIED:	DWN: IVAN TIAN 29 JUL 2012	TE Connectivity
		CHK: WENKE HE 29 JUL 2012	
		APVD: STEVEN YAO	NAME: 0.5MM FINE STACKING BTB, 24POS 4MM HEIGHT, EMBOSS, WITH CAP HERMAPHRODITIC TYPE CONNECTOR
		PRODUCT SPEC: -	SIZE: A200779 CAGE CODE: C-2199070
MATERIAL: -	FINISH: -	WEIGHT: -	RESTRICTED TO: -
CUSTOMER DRAWING			SCALE: 11:1 SHEET 5 OF 5 REV A1