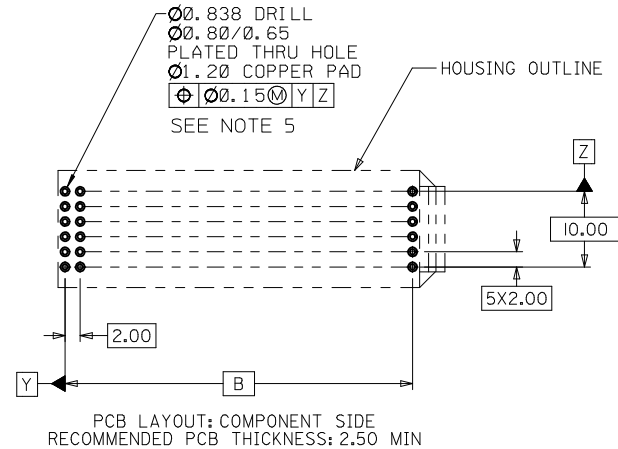
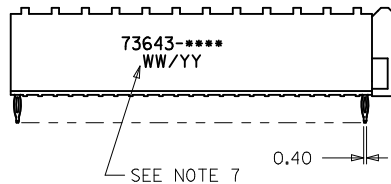
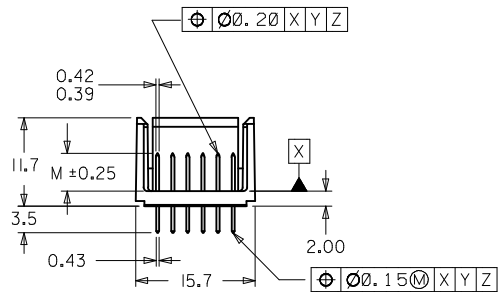


- NOTES:**
1. MATERIALS: HOUSING - LIQUID CRYSTAL POLYMER (LCP), GLASS-FILLED, UL94V-0, COLOR: BLACK, TERMINAL - PHOSPHOR BRONZE.
 2. FINISHES: SELECTIVE GOLD (Au) IN CONTACT AREA, 0.76 micrometer MINIMUM THICKNESS; NICKEL (Ni) AND GOLD FLASH OVERALL SELECTIVE GOLD (Au) IN CONTACT AREA, 0.76 micrometer MINIMUM THICKNESS; SELECTIVE TIN (Sn) IN TAIL AREA; NICKEL (Ni) OVERALL.
 3. THIS PART CONFORMS TO MOLEX PRODUCT SPECIFICATION PS-73670-9999.
 4. FOR MIXED CONTACT MATING LENGTHS, CONSULT FACTORY FOR AVAILABILITY.
 5. HOLE SIZE IS FOR TIN/LEAD PLATED THRU HOLES ONLY, FOR OTHER PLATING TYPES SEE AS-73670-9996.
 6. PACKAGE PER PK-70873-0818.
 7. PARTS MARKED WITH PART NUMBER AND DATE CODE, ON EITHER SIDE, APPROXIMATELY WHERE SHOWN.
 8. THIS PARTS CONFORMS TO COSMETIC SPECIFICATION PS-45499-002 CLASS B.



LEAD FREE

INITIAL RELEASE EC NO: UCP2010-0220 DRWN:SDANNELLEY 2009/08/05 CHKD:BSMART 2009/08/06 APPR:SMILLER 2009/08/17	DESCRIPTION	QUALITY SYMBOLS ▽=0 ▽=0
REV A		

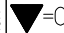
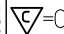
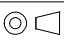
GENERAL TOLERANCES (UNLESS SPECIFIED)	DIMENSION STYLE MM ONLY
4 PLACES ± --- ± ---	DRAWN BY DATE SDANNELLEY 2009/09/20
3 PLACES ± --- ± ---	CHECKED BY DATE BSMART 2009/09/20
2 PLACES ± --- ± ---	APPROVED BY DATE SMILLER 2009/09/20
1 PLACE ± --- ± ---	MATERIAL NO. SEE TABLE
ANGULAR ±1/2°	SIZE C
DRAFT WHERE APPLICABLE MUST REMAIN WITHIN DIMENSIONS	

SCALE DESIGN UNITS METRIC	THIRD ANGLE PROJECTION
TITLE SALES ASSY, HDM BACKPLANE CLOSED END LEAD FREE OPTION	
Molex MOLEX INCORPORATED	
DOCUMENT NO. SD-73643-***9	SHEET NO. 1 OF 2

THIS DRAWING CONTAINS INFORMATION THAT IS PROPRIETARY TO MOLEX INCORPORATED AND SHOULD NOT BE USED WITHOUT WRITTEN PERMISSION	
---	--

LEAD FREE

MATERIAL NUMBER	NUMBER OF SIGNAL CONTACTS	PLATING	DIM "A"	DIM "B"	DIM "M"
73643-2009	72	SELECTIVE GOLD/SELECTIVE TIN	27.60	22.00	5.00
73643-2109	72	SELECTIVE GOLD/SELECTIVE TIN	27.60	22.00	5.50
73643-2209	72	SELECTIVE GOLD/SELECTIVE TIN	27.60	22.00	6.00
73643-3009	144	SELECTIVE GOLD/SELECTIVE TIN	51.60	46.00	5.00
73643-3109	144	SELECTIVE GOLD/SELECTIVE TIN	51.60	46.00	5.50
73643-3209	144	SELECTIVE GOLD/SELECTIVE TIN	51.60	46.00	6.00

INITIAL RELEASE EC NO: UCP2010-0220 DRWNS:SDANNELLEY 2009/08/05 CHKD:BSMART 2009/08/06 APPR:SMILLER 2009/08/17	QUALITY SYMBOLS  = 0  = 0	GENERAL TOLERANCES (UNLESS SPECIFIED)	DIMENSION STYLE MM ONLY	SCALE 1:1	DESIGN UNITS METRIC	 THIRD ANGLE PROJECTION														
		<table border="1"> <tr> <th></th> <th>mm</th> <th>INCH</th> </tr> <tr> <td>4 PLACES</td> <td>± .005</td> <td>± .0005</td> </tr> <tr> <td>3 PLACES</td> <td>± .005</td> <td>± .0005</td> </tr> <tr> <td>2 PLACES</td> <td>± .005</td> <td>± .0005</td> </tr> <tr> <td>1 PLACE</td> <td>± .005</td> <td>± .0005</td> </tr> </table>		mm	INCH	4 PLACES	± .005	± .0005	3 PLACES	± .005	± .0005	2 PLACES	± .005	± .0005	1 PLACE	± .005	± .0005	DRAWN BY DATE SDANNELLEY 2009/09/20	TITLE SALES ASSY, HDM BACKPLANE CLOSED END LEAD FREE OPTION	
			mm	INCH																
		4 PLACES	± .005	± .0005																
3 PLACES	± .005	± .0005																		
2 PLACES	± .005	± .0005																		
1 PLACE	± .005	± .0005																		
ANGULAR ± 1/2°	CHECKED BY DATE BSMART 2009/09/20	APPROVED BY DATE SMILLER 2009/09/20																		
DRAFT WHERE APPLICABLE MUST REMAIN WITHIN DIMENSIONS	MATERIAL NO. SEE TABLE	DOCUMENT NO. SD-73643-***9	SHEET NO. 2 OF 2																	