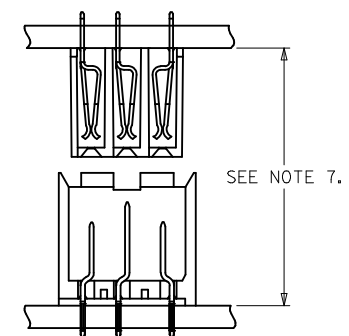
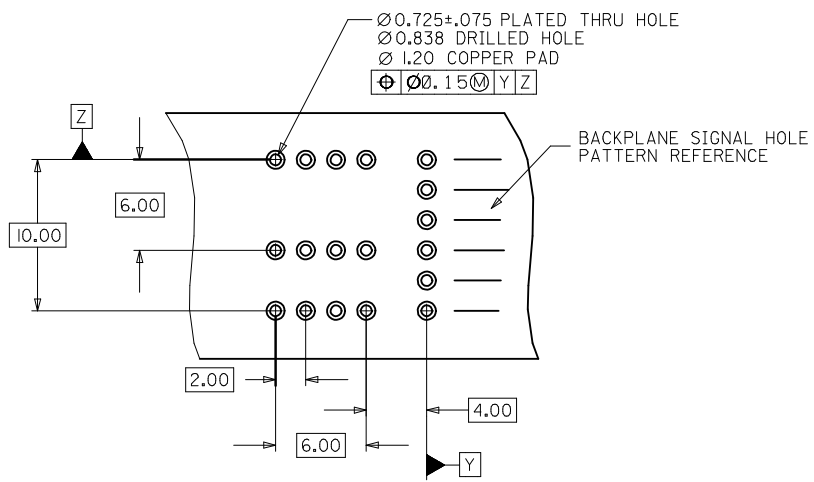
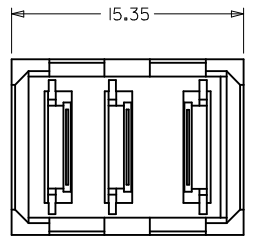


MOLEX ASSY PART NUMBER 73998-****	MATING LENGTH DESCRIPTION		
	ROW B	ROW D	ROW F
1*23	S	L	S
2023	S	L	S
2123	L	---	L

SEE NOTE 2.

CODE W/ ABOVE	OPTIONAL TAIL LENGTH SEE NOTE 3.
*3**	3.0 mm (SOLDER)
*4**	4.0 mm (SOLDER)
*5**	5.0 mm (SOLDER)
*6**	6.0 mm (SOLDER)



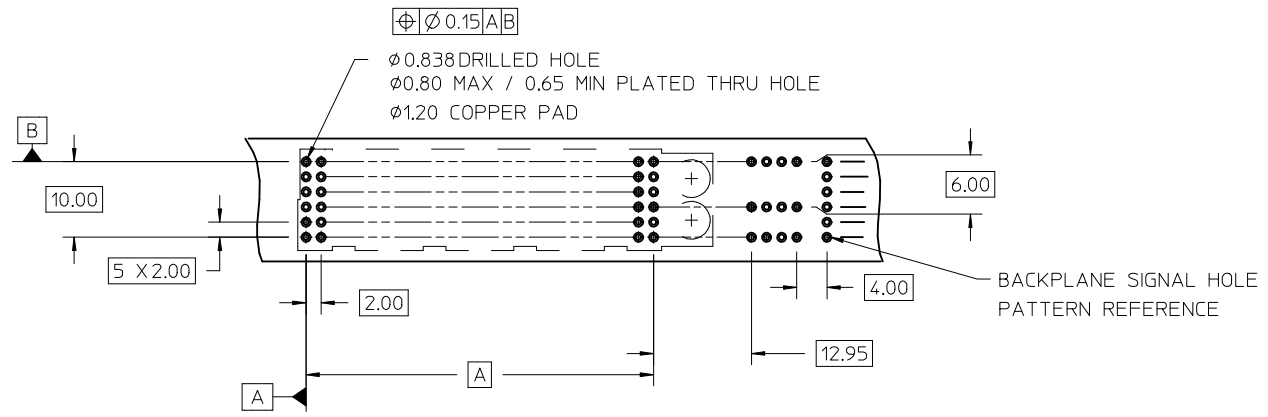
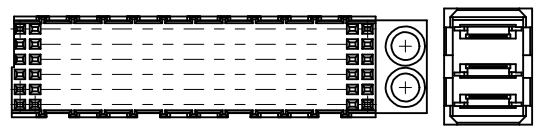
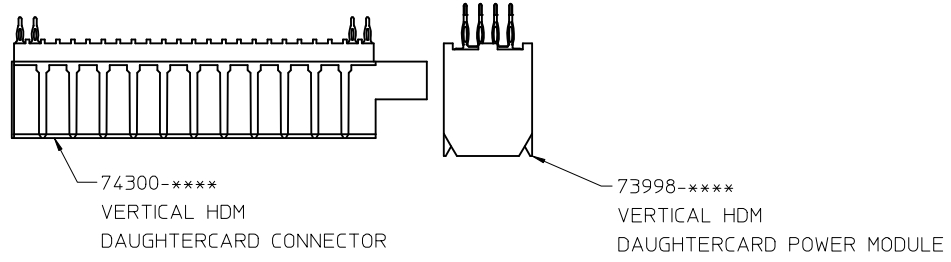
NOTES:

- MATING LENGTH IS (ALSO SEE TABLE):
9.6 - SHORT (S)
11.6 - LONG (L)
- ASSEMBLIES ARE CODED AS FOLLOWS:
-1***, SOLDER TAIL (OBSOLETE)
-2***, PRESS FIT (3.5 mm TAIL ONLY)
-*X**, TAIL LENGTH
-**XX, BLADE CONFIGURATION
- TAIL LENGTH TOLERANCE IS ±0.25.
- PART SHOWN IS 73998-2023.
- MATERIALS: HOUSING - LIQUID CRYSTAL POLYMER (LCP), GLASS FILLED, UL94V-0, COLOR: BLACK
TERMINAL - COPPER ALLOY
- FINISH: SELECTIVE GOLD IN CONTACT AREA, 0.76 MICROMETERS MINIMUM THICKNESS; MATTE TIN IN TAIL AREA; NICKEL OVERALL.
- MATES WITH 73656 AND 73659 SERIES, IN MATED CONDITION, SEPARATION OF PC BOARD SURFACES IS 15 mm.
- THIS PART CONFORMS TO MOLEX PRODUCT SPECIFICATION PS-73670-9999.
- THIS PART CONFORMS TO MOLEX COSMETIC SPECIFICATION PS-45499-002 CLASS B.

PCB LAYOUT: COMPONENT SIDE
RECOMMENDED PCB THICKNESS: 2.50 MIN

OBSOLETE SOLDER TAIL P/N'S EC NO: UCP2014-3668 DRWNR:WHIPPLE 2014/03/06 CHKD:MMOLFE 2014/03/05 APPR:SMILLER 2014/03/13	QUALITY SYMBOLS ∇=0 ∇=0 ∇=0	GENERAL TOLERANCES (UNLESS SPECIFIED) <table border="1"> <thead> <tr> <th></th> <th>mm</th> <th>INCH</th> </tr> </thead> <tbody> <tr> <td>4 PLACES</td> <td>± ---</td> <td>± ---</td> </tr> <tr> <td>3 PLACES</td> <td>± ---</td> <td>± ---</td> </tr> <tr> <td>2 PLACES</td> <td>± 0.13</td> <td>± ---</td> </tr> <tr> <td>1 PLACE</td> <td>± 0.25</td> <td>± ---</td> </tr> <tr> <td>0 PLACE</td> <td>± ---</td> <td>± ---</td> </tr> </tbody> </table>		mm	INCH	4 PLACES	± ---	± ---	3 PLACES	± ---	± ---	2 PLACES	± 0.13	± ---	1 PLACE	± 0.25	± ---	0 PLACE	± ---	± ---	DIMENSION STYLE MM ONLY DRAWN BY DATE ELO 1998/07/30 CHECKED BY DATE ELO 1998/08/03 APPROVED BY DATE BIXLER 1998/08/05	SCALE DESIGN UNITS METRIC THIRD ANGLE PROJECTION	TITLE HDM DAUGHTERCARD POWER VERTICAL (STACKER) SALES ASSEMBLY molex DOCUMENT NO. SD-73998-001 SHEET NO. 1 OF 1
		mm	INCH																				
	4 PLACES	± ---	± ---																				
	3 PLACES	± ---	± ---																				
	2 PLACES	± 0.13	± ---																				
1 PLACE	± 0.25	± ---																					
0 PLACE	± ---	± ---																					
DRAFT WHERE APPLICABLE MUST REMAIN WITHIN DIMENSIONS		MATERIAL NO. SEE CHART	THIS DRAWING CONTAINS INFORMATION THAT IS PROPRIETARY TO MOLEX INCORPORATED AND SHOULD NOT BE USED WITHOUT WRITTEN PERMISSION																				
		ANGULAR ±1/2°																					
		SIZE C																					

- NOTES:
 1. SEE SD-74300-002 FOR ADDITIONAL INFORMATION FOR THE 74300 DAUGHTERCARD MODULE.
 2. SEE SD-73998-001 FOR ADDITIONAL INFORMATION FOR THE 73998 VERTICAL DAUGHTERCARD POWER MODULE.



PCB LAYOUT : COMPONENT SIDE
 RECOMMENDED PCB THICKNES: 2.50 MIN

MATERIAL NUMBER	CIRCUIT SIZE	DIM A
74300-11**/-31**	144	46.00
74300-01**/-21**	72	22.00

INITIAL RELEASE EC NO: UCP2009-3131 DRWNS:SDANNELLEY 2009/08/05 CHKD:BSMART 2009/08/06 APPR:SMILLER 2009/08/07	QUALITY SYMBOLS	GENERAL TOLERANCES (UNLESS SPECIFIED)	DIMENSION STYLE	SCALE	DESIGN UNITS	THIRD ANGLE PROJECTION
	▼=0 ▽=0	mm INCH 4 PLACES ± --- ± --- 3 PLACES ± --- ± --- 2 PLACES ± 0.05 ± --- 1 PLACE ± 0.1 ± --- ANGULAR ± 1/2°	MM ONLY	2:1	METRIC	TITLE PCB LAYOUT FOR 74300 AND 73998 USED IN CONJUNCTION
	REV: A	DRAFT WHERE APPLICABLE MUST REMAIN WITHIN DIMENSIONS	DRAWN BY DATE SDANNELLEY 2009/06/25 CHECKED BY DATE BSMART 2009/06/25 APPROVED BY DATE SMILLER 2009/06/25	MATERIAL NO.	DOCUMENT NO.	MOLEX INCORPORATED SD-74300-005
			SIZE C	N/A		SHEET NO. 1 OF 1

THIS DRAWING CONTAINS INFORMATION THAT IS PROPRIETARY TO MOLEX INCORPORATED AND SHOULD NOT BE USED WITHOUT WRITTEN PERMISSION