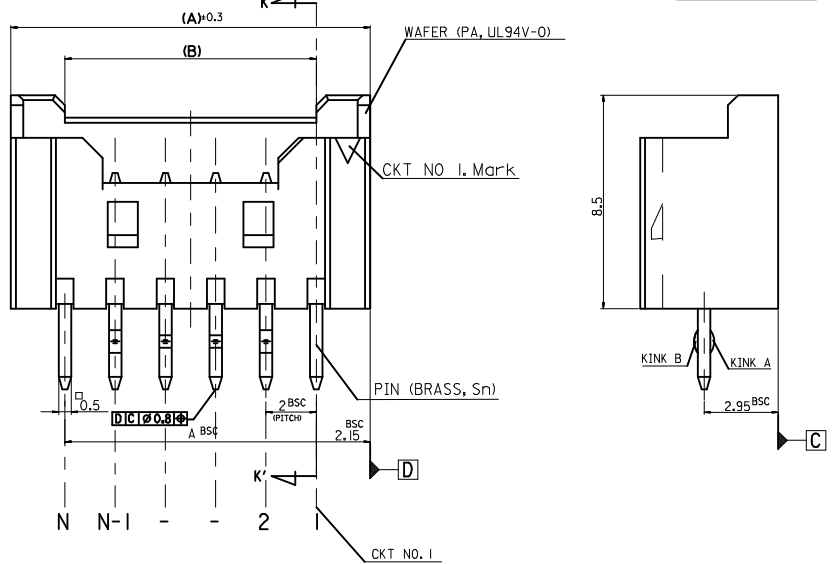
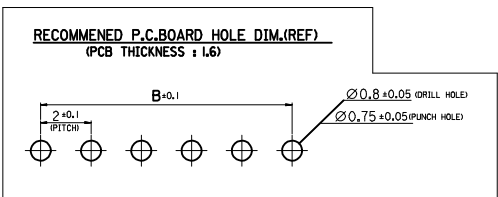
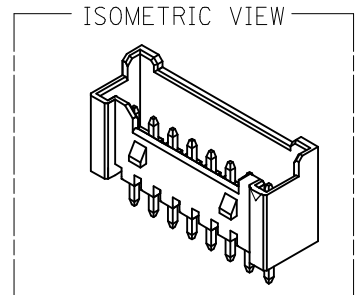


SECTION K-K'



LEGEND

SD-35362 - ***

CKT NO. COLOR

- 0 : NATURAL
- 1 : BLACK
- 2 : RED
- 3 : YELLOW
- 4 : BLUE
- 5 : GREEN
- 6 : TUBE PACKING (Natural Color)
- 7 : TUBE PACKING (Red Color)
- 8 : TUBE PACKING (Blue Color)

FINAL GOOD (BULK)

- 5 : SELECTIVE KINK (LEAD FREE)
- 6 : NONE KINK (LEAD FREE)

SUB ASSY (TUBE)

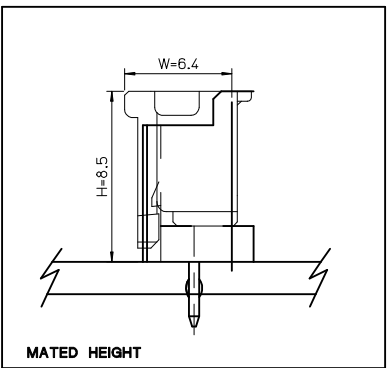
- 7 : SELECTIVE KINK (LEAD FREE)
- 8 : NONE KINK (LEAD FREE)

NOTES

1. MATERIAL : UNFILLED POLYAMIDE, UL94V-0
PIN : BRASS
2. FINISHES : PIN : Tin(Sn) 1-3µm OVERALL
3. PRODUCT SPECIFICATION : PS-35507-003
4. MATING HOUSING : 35507-***0*
- MATING TERMINAL : 50212-8000
5. KINK

31.3	28	32.3	3536215**	35362-15**	I5
29.3	26	30.3	3536214**	35362-14**	I4
27.3	24	28.3	3536213**	35362-13**	I3
25.3	22	26.3	3536212**	35362-12**	I2
23.3	20	24.3	3536211**	35362-11**	I1
21.3	18	22.3	3536210**	35362-10**	I0
19.3	16	20.3	3536209**	35362-09**	9
17.3	14	18.3	3536208**	35362-08**	8
15.3	12	16.3	3536207**	35362-07**	7
13.3	10	14.3	3536206**	35362-06**	6
11.3	8	12.3	3536205**	35362-05**	5
9.3	6	10.3	3536204**	35362-04**	4
(C)	B	(A)	ENG. NO.	ENG. NO.	CKT

CKT NO	1	2	3	4	5	N-2	N-1	N
6 CKT OVER	-	A	B	-	-	B	A	-
5 CKT	A	B	-	B	A			
4 CKT	A	B	B	A				



LEAD FREE

30 over	±0.3
10 over 30 under	±0.25
10 under	±0.2
ANGLE	±3°
GENERAL TOLERANCE	

REVISED
 EC NO: KOR2015-0019
 T DRW:KTKI M01 2014/08/25
 CH:KDKSK I M 2014/08/26
 APPR:YSKI M02 2014/09/03

QUALITY SYMBOLS
 F_A=0
 F_C=0
 F_P=0

GENERAL TOLERANCES (UNLESS SPECIFIED)

	mm	INCH
4 PLACES	± ---	± ---
3 PLACES	± ---	± ---
2 PLACES	± ---	± ---
1 PLACE	± ---	± ---
0 PLACE	±	±

ANGULAR ±---°
 DRAFT WHERE APPLICABLE MUST REMAIN WITHIN DIMENSIONS

DIMENSION STYLE
MM ONLY

DRAWN BY: YS00KIM DATE: 1996/09/11
 CHECKED BY: DATE: 1996/09/11
 APPROVED BY: DATE:

MATERIAL NO. DOCUMENT NO.
SEE TABLE SD-35362-002

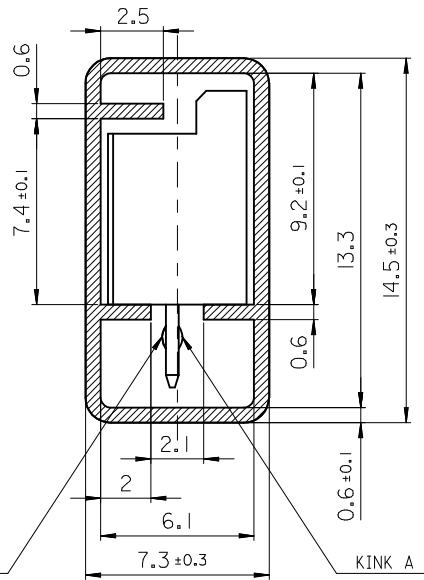
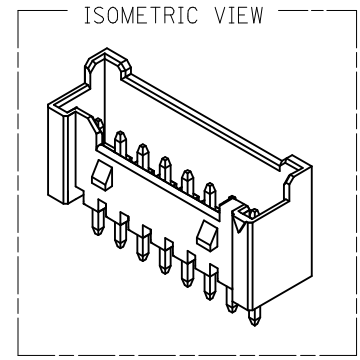
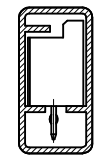
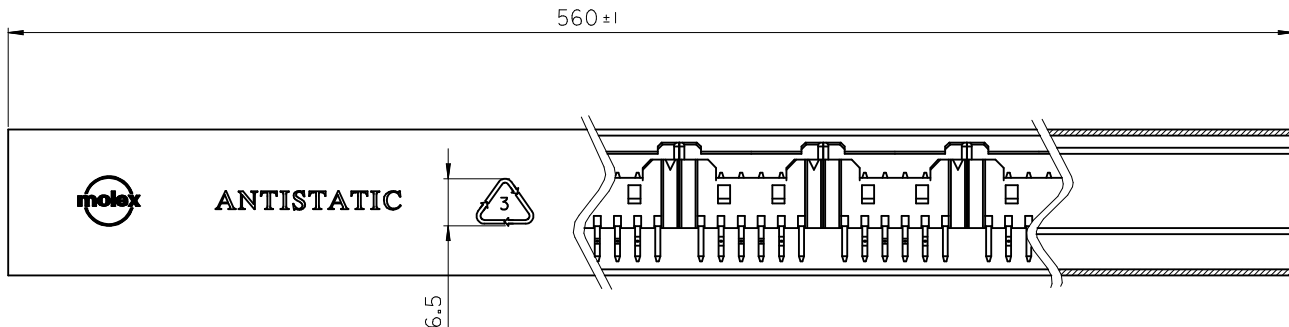
SIZE: A3
 THIS DRAWING CONTAINS INFORMATION THAT IS PROPRIETARY TO MOLEX INCORPORATED AND SHOULD NOT BE USED WITHOUT WRITTEN PERMISSION

SCALE: 5:1 DESIGN UNITS: METRIC THIRD ANGLE PROJECTION

2.0 W/B WAFER ASS'Y -LEAD FREE-

molex

SHEET NO. 1 OF 1



LEGEND.

E-35362-*** **

2-20 Circuits-**CKT NO.**

Final GOOD (Bulk) — 5 : SELECTIVE KINK
6 : NONE KINK

Sub Assy (Tube) — 7 : SELECTIVE KINK
8 : NONE KINK

COLOR & PACKING

- 0 : NATURAL
- 1 : BLACK
- 2 : RED
- 3 : YELLOW
- 4 : BLUE
- 5 : GREEN
- 6 : TUBE PACKING (Natural Color)
- 7 : TUBE PACKING (RED Color)
- 8 : TUBE PACKING (BLUE Color)

KINK

△ A

TABLE

10	20**	-20**	20
10	19**	-19**	19
10	18**	-18**	18
10	17**	-17**	17
15	16**	-16**	16
15	15**	-15**	15
15	14**	-14**	14
15	13**	-13**	13
15	12**	-12**	12
20	11**	-11**	11
20	10**	-10**	10
25	09**	-09**	9
25	08**	-08**	8
30	07**	-07**	7
35	06**	-06**	6
40	05**	-05**	5
50	04**	-04**	4
60	03**	-03**	3
70	3536202**	35362-02**	2
QT'y	Material NO.	ENG. NO.	CKT

NOTES

1. MATERIAL : TUBE - TRANSLUCENT P.V.C (P-1000)
Wafer - POLYAMIDE, UL94V-0
PIN - BRASS SQ 0.5mm
2. BOW(CAMBER) : 1.0mm MAX/Total Length
3. DIMENSIONS GIVEN ACROSS CENTER LINES ARE SYMMETRICAL ABOUT THOSE CENTER LINES WITH HALF THE TOTAL LENGTH.
4. TOTAL TUBE LENGTH : 560mm + -1mm
5. TWIST : 5° MAX./Total Length
6. BURRS : 0.2mm MAX.
7. SKEW : PRODUCTS MUST BE FLOWED SMOOTHLY WHEN THIS STICK IS PLACES 30° ANGLE.
8. THICKNESS : 0.6mm + -0.1mm
9. ARTWORK : PER E-35900-0434 (SILK SCREEN COLOR : RED)
10. APPLICABLE STOPPER(RUBBER) : 35900-0435

KINK TABLE(FOR 35362-****)

CKT NO	1	2	3	4	5	N-2	N-1	N
6 CKT OVER	-	A	B	-	-	B	A	-
5 CKT	A	B	-	B	A	/	/	/
4 CKT	A	B	B	A	/	/	/	/
3 CKT	A	B	A	/	/	/	/	/
2 CKT	None	Kink	/	/	/	/	/	/

** 35362-0287 IS ONLY KINKED 2P

CKT NO	1	2
PRODUCT NO.	1	2
35362-0287	A	B

LEAD FREE

REVISED EC NO: KOR2014-0116 DRW/TKI/IM01 2014/04/14 CHKD: APPR: YSK/IM02 2014/04/21	QUALITY SYMBOLS	GENERAL TOLERANCES (UNLESS SPECIFIED)	DIMENSION STYLE	SCALE	DESIGN UNITS	THIRD ANGLE PROJECTION
	$F_A=0$ $F_B=0$ $F_C=0$	mm INCH 4 PLACES ± --- ± --- 3 PLACES ± --- ± --- 2 PLACES ± --- ± --- 1 PLACE ± 0.2 ± --- 0 PLACE ± --- ±	MM ONLY	5:1	METRIC	DRAWN BY: YS00KIM DATE: 2000/12/11 CHECKED BY: JKOH DATE: 2000/12/11 APPROVED BY: DATE:
	MATERIAL NO. 9999999999	ANGULAR ± 1 ° DRAFT WHERE APPLICABLE MUST REMAIN WITHIN DIMENSIONS	TITLE 2.0 W/B WAFER ASS'Y TUBE PACKING -LEAD FREE- molex	DOCUMENT NO. SD-35362-003	SHEET NO. 1 OF 1	
	THIS DRAWING CONTAINS INFORMATION THAT IS PROPRIETARY TO MOLEX INCORPORATED AND SHOULD NOT BE USED WITHOUT WRITTEN PERMISSION					