

8

7

6

5

4

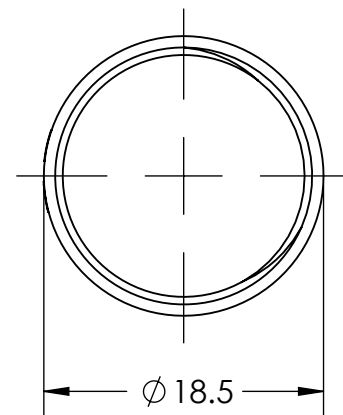
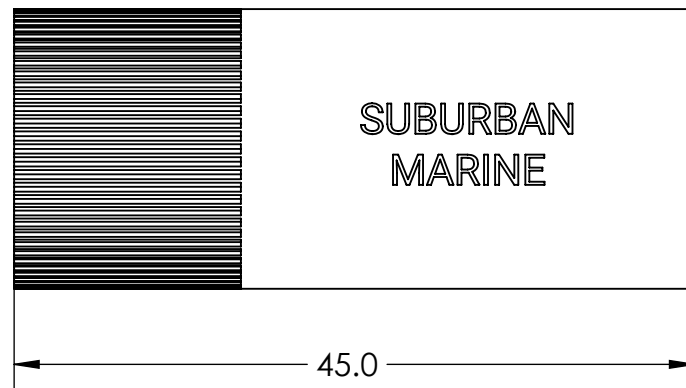
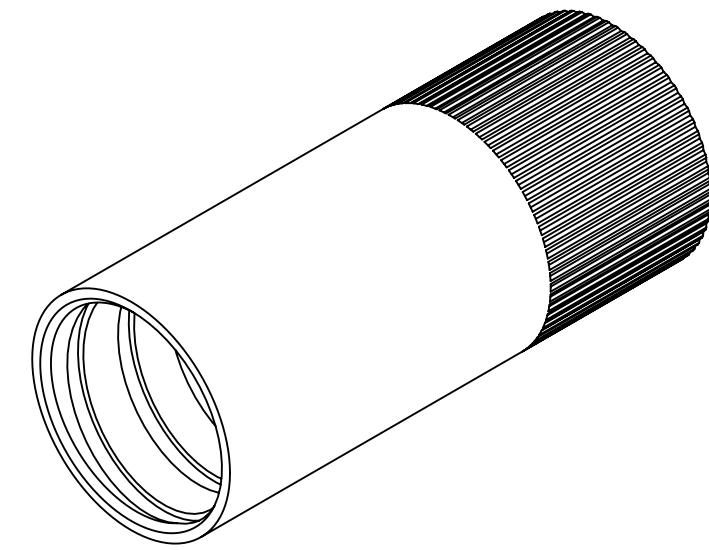
3


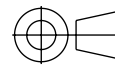
2

1

COPYRIGHT 2021 © SUBURBAN MARINE  
 THE INFORMATION CONTAINED IN THIS DRAWING IS THE  
 SOLE PROPERTY OF SUBURBAN MARINE, INC. ANY  
 REPRODUCTION IN PART OR AS A WHOLE WITHOUT THE  
 WRITTEN PERMISSION OF SUBURBAN MARINE, INC IS  
 PROHIBITED.

REVISIONS			
ZONE	REV.	DESCRIPTION	DATE
	A	INITIAL RELEASE	3/19/2021



UNLESS OTHERWISE SPECIFIED: DIMENSIONS ARE IN mm  ANGULAR ± 1° X ± 1.0mm .X ± 0.4mm .XX ± 0.1mm  INTERPRET GEOMETRIC TOLERANCING PER: ISO 2768- mK MATERIAL NONE  FINISH NONE  WEIGHT:	NAME	DATE	 <b>Suburban Marine</b> TITLE: <b>LOCKING RING, FEMALE, LOW PROFILE</b> SIZE DWG. NO. REV <b>B BM-A-LR-F-B-X A</b> SCALE: 2:1 SHEET 1 OF 1
	DRAWN	MM 20210319	
	CHECKED		
	APPROVED		
	THIRD ANGLE PROJECTION:		
	DO NOT SCALE DRAWING		

8

7

6

5

4

3

2

1