

VERTICAL MOUNT 1-PORT 1000BASE-T RJ45 WITH INTEGRATED MAGNETICS



ARJE-0051

21.97 x 16.51 x 14.10mm

RoHS/RoHS II Compliant

FEATURES

- 10/100/1000Base-T compatibility
- Integrated yellow and green LEDs (only applicable to ARJE-0051 MASA/MBSA)
- Wide 0C to 70C operating temperature range
- Integrated magnetics
- Integrated shielding excellent EMI performance
- Integrated shielding with metal fingers (only applicable to ARJE-0051 MASA/MASB)

APPLICATIONS

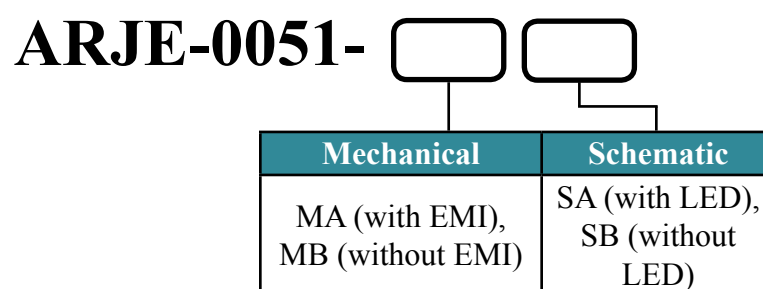
- Internet of Things (IoT)
- Video IP cameras
- Machine-to-machine (M2M)
- Media converters
- Networking equipment
- Network interface cards (NIC)

STANDARD SPECIFICATIONS

Part Number	Turns Ratio ± 3%	EMI Fingers	LEDs	Inductance @100kHz, 0.1Vrms, 8mADC (min)	Insertion Loss (dB max)		Return Loss (dB min)	
			L/R		0.1-100 MHz	100-125 MHz	0.5-40 MHz	40-100 MHz
ARJE-0051-MASA	1CT:1CT	Yes	G/Y	350 uH	1.0	1.2	18.0	12-20Log(F/80)*
ARJE-0051-MASB	1CT:1CT	Yes	None	350 uH	1.0	1.2	18.0	12-20Log(F/80)*
ARJE-0051-MBSA	1CT:1CT	No	G/Y	350 uH	1.0	1.2	18.0	12-20Log(F/80)*
ARJE-0051-MBSB	1CT:1CT	No	None	350 uH	1.0	1.2	18.0	12-20Log(F/80)*

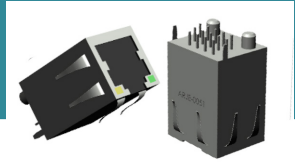
Part Number	Crosstalk (dB min)	Common Mode Rejection (dB min)	Hipot (min)
	0.1-100 MHz	0.1-100 MHz	
ARJE-0051-MASA	33-20Log(F/50)*	32.0	2250 VDC
ARJE-0051-MASB	33-20Log(F/50)*	32.0	2250 VDC
ARJE-0051-MBSA	33-20Log(F/50)*	32.0	2250 VDC
ARJE-0051-MBSB	33-20Log(F/50)*	32.0	2250 VDC

PART NUMBER IDENTIFICATION



REVISED: 09/26/2016

VERTICAL MOUNT 1-PORT 1000BASE-T RJ45 WITH INTEGRATED MAGNETICS

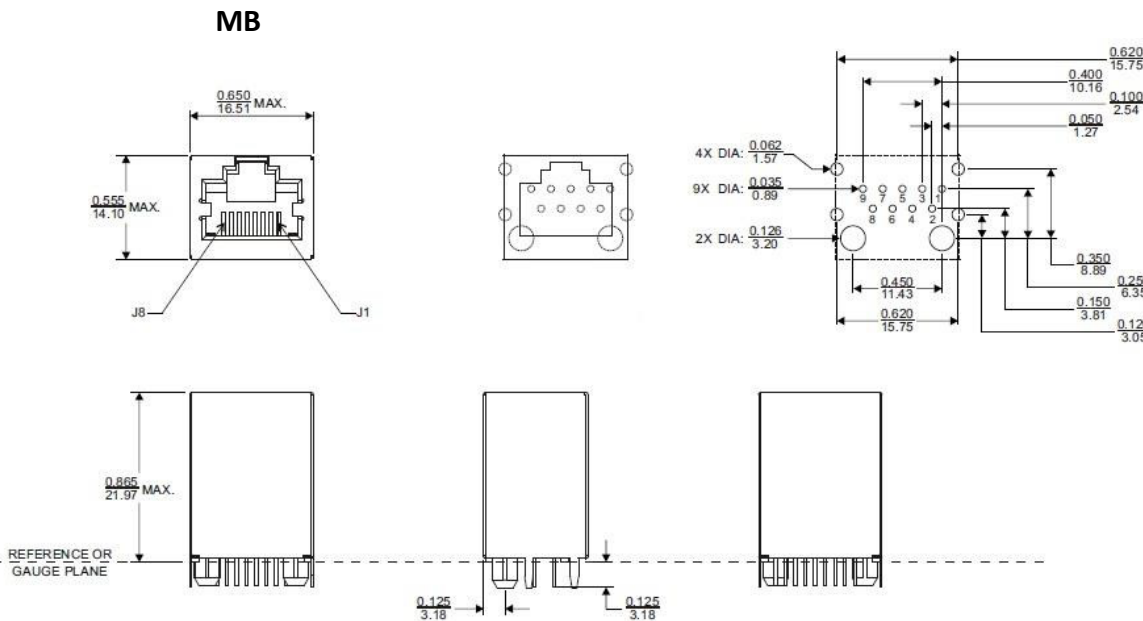
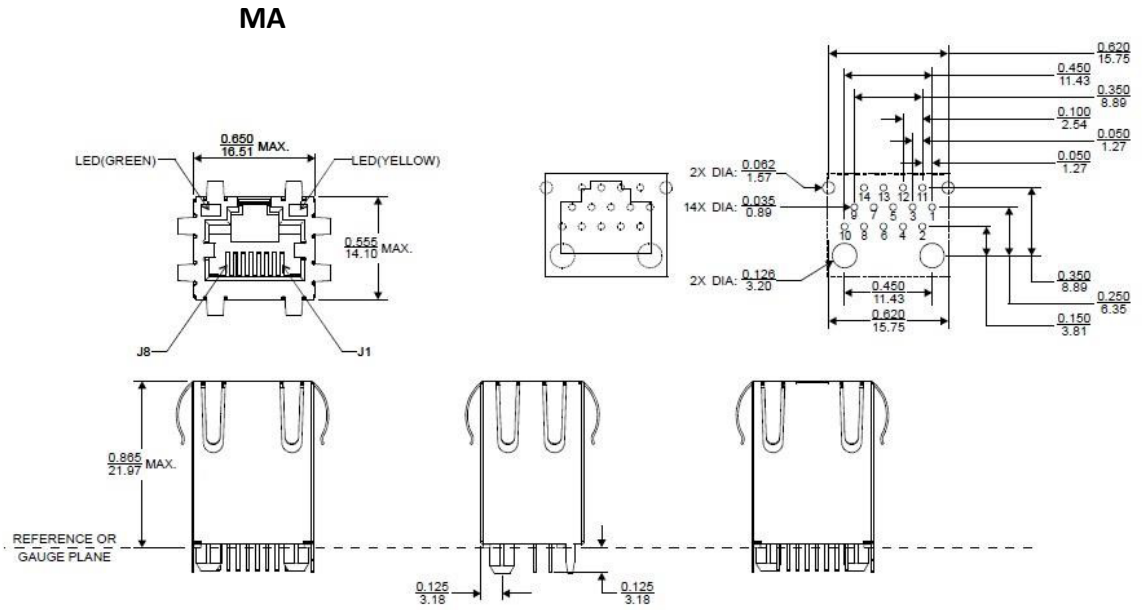


ARJE-0051

21.97 x 16.51 x 14.10mm

Pb RoHS/RoHS II Compliant

MECHANICAL DIMENSIONS: mm (unless otherwise specific, all tolerances are $\pm 0.01/0.25$)



VERTICAL MOUNT 1-PORT 1000BASE-T RJ45 WITH INTEGRATED MAGNETICS



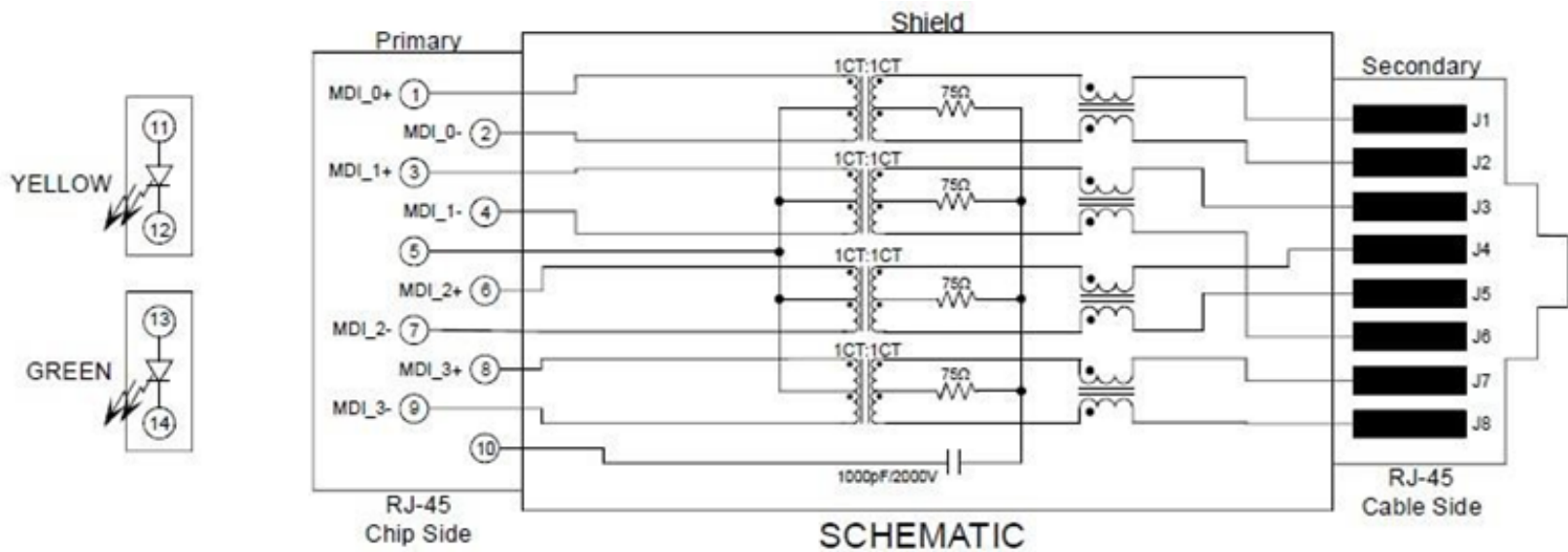
ARJE-0051

21.97 x 16.51 x 14.10mm

Pb RoHS/RoHS II Compliant

SCHEMATIC

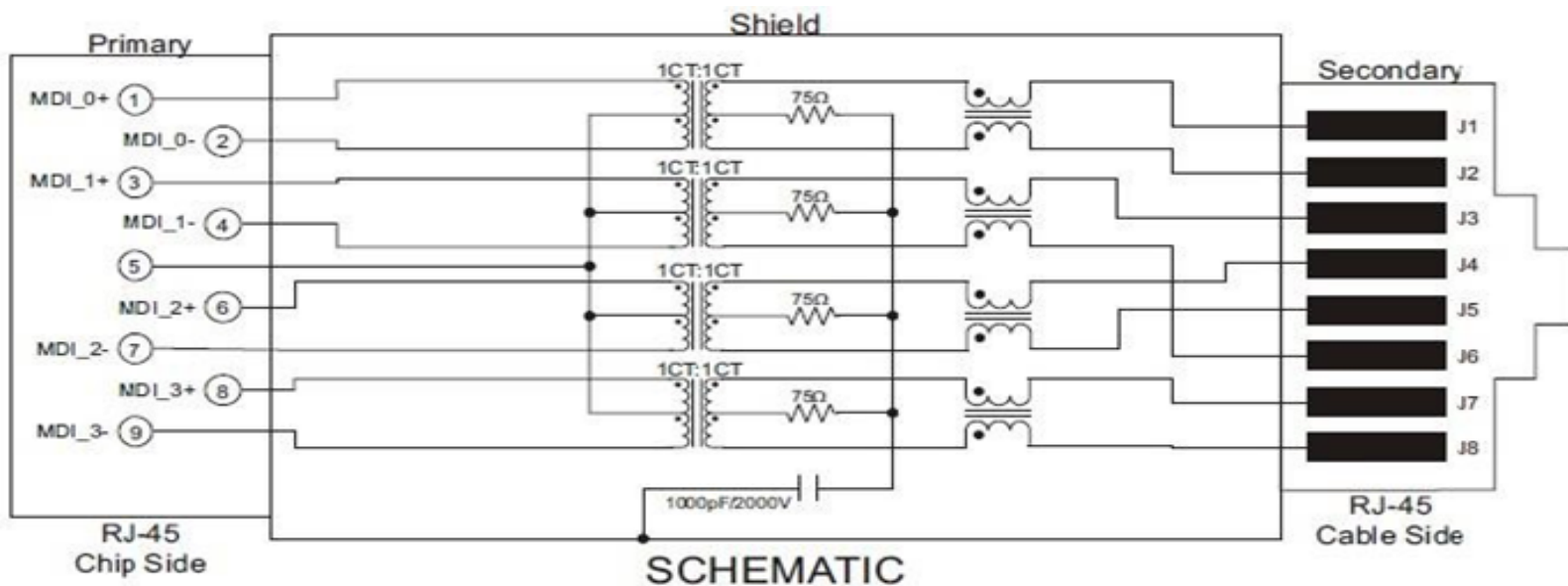
SA



LED SPECIFICATION @20mA FORWARD CURRENT

Color	GREEN	YELLOW
Wavelength	565nm Typ	590nm Typ
Forward Voltage	2.2V Typ	2.1V Typ

SB



REVISED: 09/26/2016

VERTICAL MOUNT 1-PORT 1000BASE-T RJ45 WITH INTEGRATED MAGNETICS



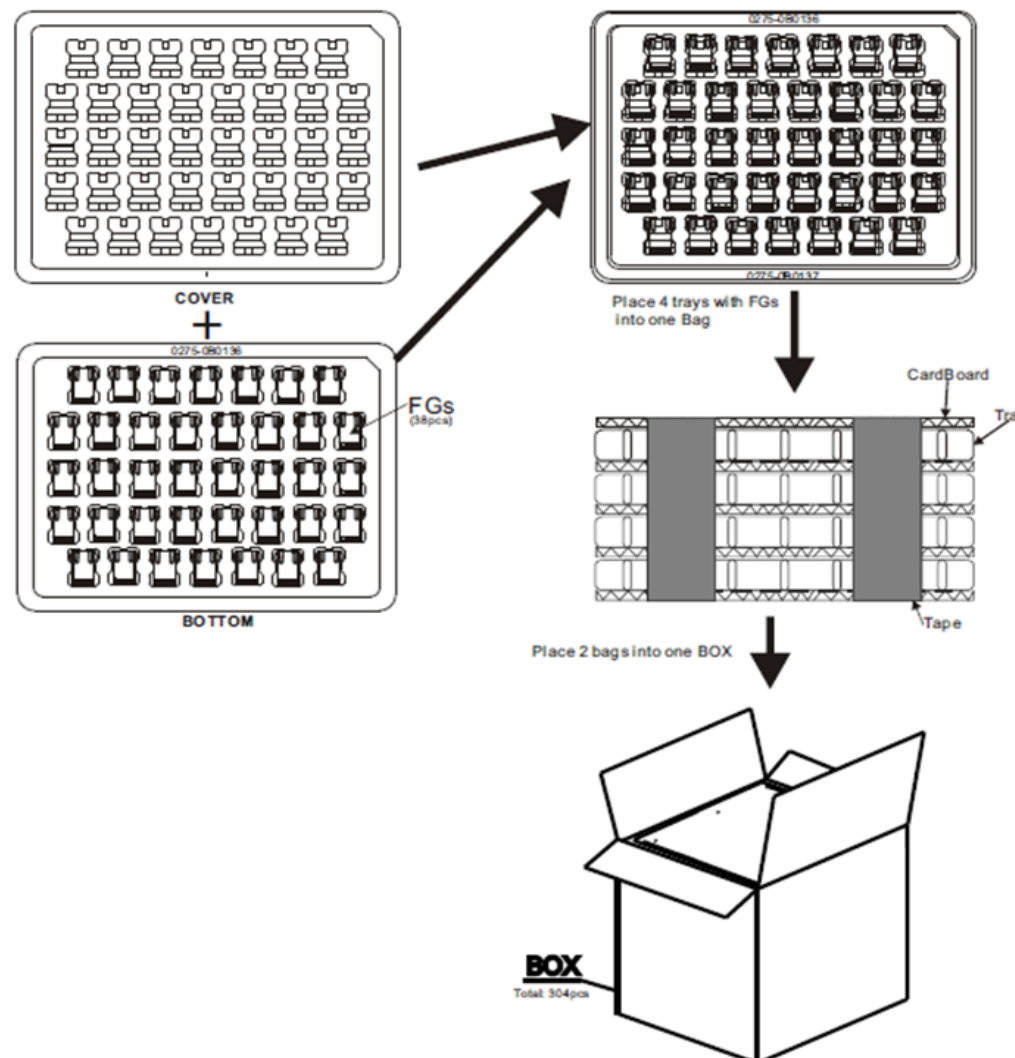
ARJE-0051

21.97 x 16.51 x 14.10mm

 RoHS/RoHS II Compliant

PACKAGING

T: (38 pcs/tray, 304 pcs/carton)



NOTES

1. The parts are manufactured in accordance with this specification. If other conditions and specifications which are required for this specification, please contact ABRACON for more information.
2. ABRACON will supply the parts in accordance with this specification unless we receive a written request to modify prior to an order placement.
3. In no case shall ABRACON be liable for any product failure from in appropriate handling or operation of the item beyond the scope of this specification.
4. When changing your production process, please notify ABRACON immediately.
5. ABRACON LLC's products are COTS – Commercial-Off-The-Shelf products; suitable for Commercial, Industrial and, where designated, Automotive Applications. ABRACON's products are not specifically designed for Military, Aviation, Aerospace, Life- dependent Medical applications or any application requiring high reliability where component failure could result in loss of life and/or property. For applications requiring high reliability and/or presenting an extreme operating environment, written consent and authorization from ABRACON LLC is required. Please contact ABRACON LLC for more information.
6. All specifications and Marking will be subject to change without notice.