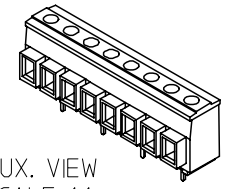
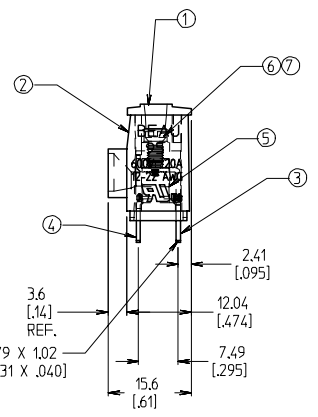
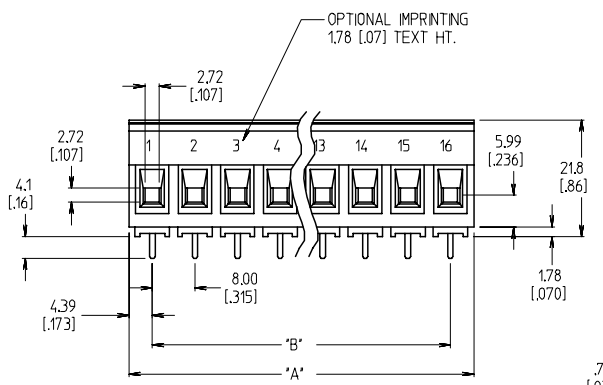
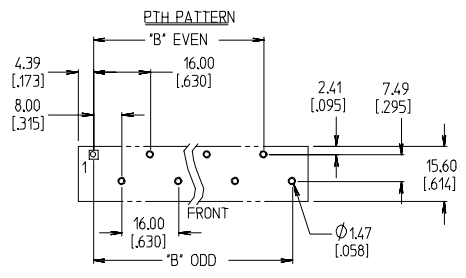
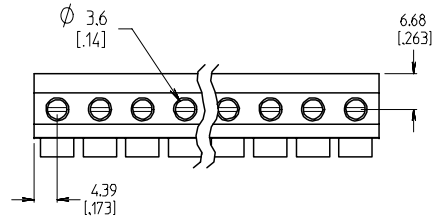


| NO. OF CIRCUITS | DIM. "A" |      | DIM. "B" |       | ASSEMBLY MATERIAL NO. (STANDARD) | ASSEMBLY MATERIAL NO. (-49 OPT) | ASSEMBLY MATERIAL NO. (-10A OPT) | MATERIAL NO. WITH CAGES CLOSED (SEE NOTE 10) | FRONT TERMINAL QTY. | REAR TERMINAL QTY. |
|-----------------|----------|------|----------|-------|----------------------------------|---------------------------------|----------------------------------|--|---------------------|--------------------|
|                 | mm       | in   | mm       | in    |                                  |                                 |                                  |  |                     |                    |
| 03              | 24.8     | 0.98 | 16.00    | 0.630 | 399500103                        | 399540103                       | 399520103                        | 399590007                                    | 1                   | 2                  |
| 04              | 32.8     | 1.29 | 24.00    | 0.945 | 399500104                        | 399540104                       | 399520104                        |  | 2                   | 2                  |
| 05              | 40.8     | 1.61 | 32.00    | 1.260 | 399500105                        | 399540105                       | 399520105                        |  | 2                   | 3                  |
| 06              | 48.8     | 1.92 | 40.00    | 1.575 | 399500106                        | 399540106                       | 399520106                        |  | 3                   | 3                  |
| 07              | 56.8     | 2.24 | 48.00    | 1.890 | 399500107                        | 399540107                       | 399520107                        |  | 3                   | 4                  |
| 08              | 64.8     | 2.55 | 56.00    | 2.205 | 399500108                        | 399540108                       | 399520108                        |  | 4                   | 4                  |
| 09              | 72.8     | 2.87 | 64.00    | 2.520 | 399500109                        | 399540109                       | 399520109                        |  | 4                   | 5                  |
| 10              | 80.8     | 3.18 | 72.00    | 2.835 | 399500110                        | 399540110                       | 399520110                        |  | 5                   | 5                  |
| 11              | 88.8     | 3.50 | 80.00    | 3.150 | 399500111                        | 399540111                       | 399520111                        |  | 5                   | 6                  |
| 12              | 96.8     | 3.81 | 88.00    | 3.465 | 399500112                        | 399540112                       | 399520112                        |  | 6                   | 6                  |
| 13              | 104.8    | 4.13 | 96.00    | 3.780 | 399500113                        | 399540113                       | 399520113                        |  | 6                   | 7                  |
| 14              | 112.8    | 4.44 | 104.00   | 4.094 | 399500114                        | 399540114                       | 399520114                        |  | 7                   | 7                  |
| 15              | 120.8    | 4.76 | 112.00   | 4.409 | 399500115                        | 399540115                       | 399520115                        |  | 7                   | 8                  |
| 16              | 128.8    | 5.07 | 120.00   | 4.724 | 399500116                        | 399540116                       | 399520116                        |  | 8                   | 8                  |



AUX. VIEW SCALE 1:1



NOTES:

1. MATERIAL: SEE TABLE
2. FINISHES: SEE TABLE
3. INCH DMS ARE SHOWN IN BRACKETS [XXX].
4. "XX" REFER TO THE NUMBER OF CIRCUITS.
5. ALL CREEP DISTANCES FOR UL 1059, CLASS C, 600V GENERAL INDUSTRIAL
6. FOR USE WITH #22-#12 AWG SOLID AND STRANDED WIRES
7. TORQUE RATING IS 5 IN-LB, MAX.
8. PRODUCT PERFORMANCE SPECIFICATION PPS.95.001
9. ASSEMBLY IS ROHS COMPLIANT.
10. THIS ASSEMBLY USES ITEM 6 SCREW AND IS SHIPPED WITH SCREWS DRIVEN DOWN FULLY TO CLOSE THE CAGE CLAMPS.

| ITEM | QTY.      | DESCRIPTION                 | MATERIAL     | FINISH             |
|------|-----------|-----------------------------|--------------|--------------------|
| 7    | "XX"      | SCREW, M3 X 0.5, -49 OPTION | PHOS. BRONZE | TN PLATE           |
| 6    | "XX"      | SCREW, M3 X 0.5, STD.       | STEEL        | ZN, CLEAR CHROMATE |
| 5    | "XX"      | CAGE CLAMP                  | BRASS        | NICKEL PLATE       |
| 4    | SEE CHART | FRONT TERMINAL              | RED BRASS    | TIN PLATE          |
| 3    | SEE CHART | REAR TERMINAL               | RED BRASS    | TIN PLATE          |
| 2    | 1         | BODY                        | PBT          | BLACK              |
| 1    | 1         | CAP                         | PBT          | BLACK              |

|  |                               |  |                              |  |                      |                        |
|--|-------------------------------|--|------------------------------|--|----------------------|------------------------|
| ADD MATERIAL NO.<br>EC NO: ETC2007-0218<br>DRW: NCLYORK 2006/12/01<br>CHKD: IMACNEIL 2006/12/04<br>APPR: IMACNEIL 2006/12/06 | QUALITY SYMBOLS<br>▽=0<br>▽=0 | GENERAL TOLERANCES (UNLESS SPECIFIED)<br>mm INCH<br>4 PLACES ± --- ± ---<br>3 PLACES ± --- ± .005<br>2 PLACES ± 0.13 ± .01<br>1 PLACE ± 0.3 ± ---<br>ANGULAR ± 2 ° | DIMENSION STYLE<br>MM/IN     | SCALE<br>3:2   | DESIGN UNITS<br>INCH | THIRD ANGLE PROJECTION |
|  |                               | DRAWN BY<br>GHR  | DATE<br>1998/10/30           | TITLE<br>8.00MM SR BTS, PKCT, #12 AWG ASY, 600V, 20A |                      |                        |
|  |                               | CHECKED BY<br>K. ATKINS  | DATE<br>1998/11/02           | APPROVED BY<br>L. ROTHHAUS                           | DATE<br>1998/11/02   |                        |
|  |                               | MATERIAL NO.<br>SEE CHART  | DOCUMENT NO.<br>SD-39950-001 | SHEET NO.<br>1 OF 1                                  |                      |                        |