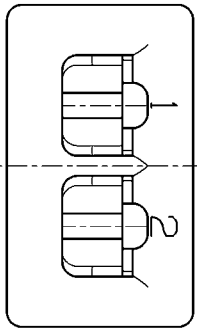
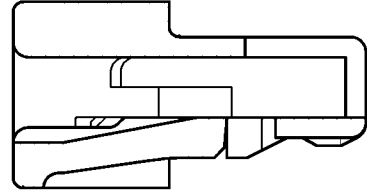
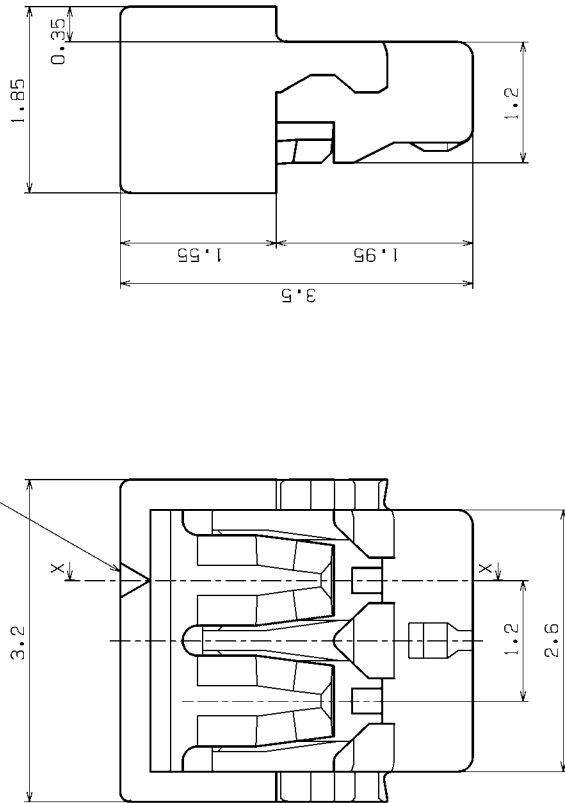


1 2 3 4 5 6 7 8

REV.	DESCRIPTION	DATE	DESIGNED
△			



No.1 circuit mark



X-Xsec.

NOTE

1. Unless otherwise specified, tolerances are  $\pm 0.3$

SOCKET HOUSING		PBT	MATERIAL	SURFACE FINISH		REMARKS
PART NAME		SCALE		PROJECTION DATE		CUSTOMER
UNIT		SCALE		PROJECTION DATE		
SIZE		A3		METRIC 20:1		SERIES NAME
APPROVED		M.H		Y.U		
CHECKED		K.M		M.O		DRAWING No.
DESIGNED		DEC. 7. 2006		ACH CONNECTOR		
DRAWN		KRD-39063		ACHTR-02V-S		
DRAWN		J.S.T. MFG. CO., LTD.		KRD-39063		RO
MATERIAL		PBT		SURFACE FINISH		REMARKS
SOCKET HOUSING		PBT		SURFACE FINISH		UL94V-0, NATURAL (WHITE)

THIS DRAWING CONTAINS INFORMATION THAT IS PROPRIETARY TO J.S.T. AND SHOULD NOT BE USED WITHOUT WRITTEN PERMISSION.

EC4109-2