

NOTES:

1. ALL DIMENSIONS FOR REFERENCE ONLY.
2. MATERIALS:
HOUSING AND END PANELS - ALUMINUM, BLACK ANODIZED
COMPONENT PANELS - ALUMINUM, BLUE ANODIZED
3. LASER ETCHED WHITE TEXT AND ARTWORK.
4. THIS PRODUCT IS RoHS COMPLIANT.

CUSTOMER DRAWING

UNLESS OTHERWISE SPECIFIED 1. ALL DIMENSIONS IN INCHES - TWO PLACE DECIMALS ±0.02 - THREE PLACE DECIMALS ±0.005					SIZE		WIDTH	MULT	LBS/M	TEMPER
					FINISH		MATERIAL		SPEC No.	
DO NOT SCALE DRAWING					FIRST USED ON		SCALE		1:1	
					DATE DRAWN	BY	CHKD	APVD	BHM	
B	27673	5-1-16	TO	TJK	3/2/10	BHM	TJK	BHM	Switchcraft®	
A	26565	7-20-10	BHM	TJK	INSTRUMENT DIRECT BOX		SC800CT		SHEET 1 OF 3	
REV	ECO NUMBER	DATE	BY	APVD	NAME		PART No.		REV	
REVISIONS					INSTRUMENT DIRECT BOX		SC800CT		B	

SC800CT Instrument Direct Box

Audio Specifications

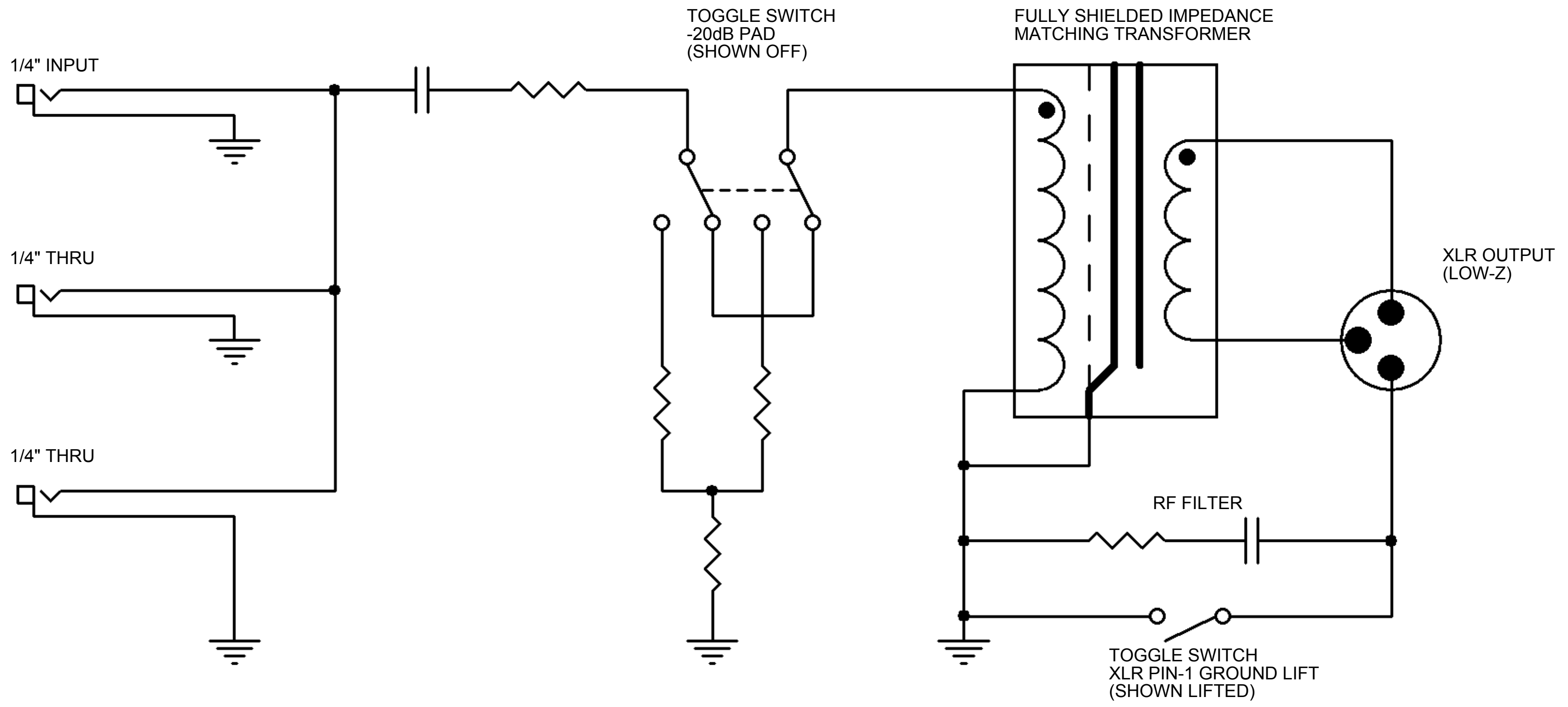
Switchcraft®

Parameter	Performance	Conditions
Frequency Response	20Hz - 20kHz	+/-0.3dB, ref 1kHz
Total Harmonic Distortion + Noise	< 0.007% < 0.15%	at 1kHz, +4dBu Input, 22kHz Bandwidth at 20Hz, +4dBu Input, 22kHz Bandwidth
Maximum Input Level	+19dBu	at 20Hz with 1% THD+Noise
Input Impedance	> 120kΩ	at 1kHz
Output Impedance	< 20Ω	at 1kHz
Common Mode Rejection Ratio (CMRR)	> 92dB	at 60Hz
Deviation from Linear Phase	< 4° < 1° < 9°	at 20Hz at 1kHz at 20kHz
Voltage Gain	-22dB -42dB	+/-1dB +/-1dB with 20dB pad engaged
Pad Attenuation	20dB	+/-1dB

Notes: All measurements were taken with a 25Ω unbalanced source and measured from the XLR with a 1kΩ balanced load.
Specifications subject to change without notice.

CUSTOMER DRAWING

SCALE 1:1	Switchcraft®	
DATE DRAWN 3/2/10		
DRAWN BY BHM	PART No. SC800CT	REV B



CUSTOMER DRAWING

SCALE 1:1	Switchcraft [®]	
DATE DRAWN 3/2/10		
DRAWN BY BHM	PART No. SC800CT	REV B