

## SUMMARY

### # Wires

Triax 1



*Image is for illustrative purpose only*

Series T7  
Termination type Male solder  
IP rating 68  
AWG wire size 0.00 - 0.00  
Cable Ø 0.00 - 0.00 mm  
Status active

### Download

[Request a quote](#)

[Catalog](#)

## TECHNICAL DETAILS

### Mechanics

Shell Style/Model FCZ\*: Fixed plug, crimp, nut fixing  
Keying Circular, male  
Housing Material Brass (chrome plated [SAE AMS 2460]) shell and collet nut, nickel plated [SAE AMS QQ N 290] brass latch sleeve and mid pieces  
Weight 104.22 g

### Performance

Configuration  
Insulator  
Rated Current

### Specifications

Contact Type: Solder

### Others

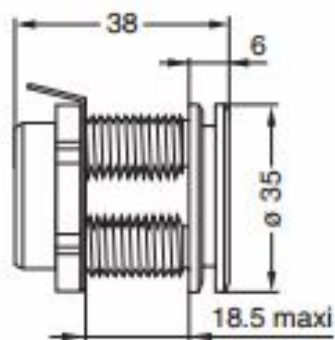
Endurance (Shell): 5000 mating cycles  
Temp (min / max): -55°C / +250°C  
Humidity (max): <=95% [at 60 deg C / 140 F]  
Vibration: 15 g [10 Hz - 20000 Hz]

*LEMO products and services are provided "as is". LEMO makes no warranties or representations with regard to LEMO product & services or use of them, express, implied or statutory, including for accuracy, completeness, or security. The user is fully responsible for his products and applications using LEMO components.*

Shock Resistance: 100 g [ 6 ms]  
Salt Spray Corrosion: >1000 hr

---

## DRAWINGS



### Dimensions

	A	E	L	M	e
mm.	35	18.5	38	6	M28x1.0
in.	1,38	0,73	1,50	0,24	

---

## RECOMMENDED BY LEMO

### Tools

### Cables

*LEMO products and services are provided "as is". LEMO makes no warranties or representations with regard to LEMO product & services or use of them, express, implied or statutory, including for accuracy, completeness, or security. The user is fully responsible for his products and applications using LEMO components.*