

## SUMMARY

### # Wires

Low	5
High	0
Coax	0
Triax	0
Quad	0
Fiber	0
Fluidic	0



*Image is for illustrative purpose only*

### Download

[Request a quote](#)

[Catalog](#)

Series	0W
Termination type	Male solder
IP rating	68
Cable Ø	4.60 - 5.00 mm
Matching parts	HRG.0W.305.CLLPV
Status	
Alternative part	

## TECHNICAL DETAILS

### Mechanics

Shell Style/Model	FV_/Z*: Straight plug, cable collet and nut for fitting a bend relief
Keying	
Housing Material	Brass (chrome plated) shell and collet nut, nickel plated brass latch sleeve and mid pieces
Cable Fixing	C50: 4.6 - 5 mm
Variant	Z : Nut for fitting a bend relief

### Performance

Configuration	
Insulator	
Rated Current	6.5 Amps

### Specifications

Contact Type:	Solder
Max. Matings:	5000
Contact Dia.:	0.7 mm (0.028in)
Bucket Dia.:	0.8 mm (0.031in)
Max. Stranded Conductor:	0.34 mm <sup>2</sup> (AWG 22)
Max. Conductor:	0.34 mm <sup>2</sup> (AWG 22)

R (max): 6.1 mOhm  
Vtest (contact-contact): 1000 V (AC) 1400 V (DC)  
Vtest (contact-shell): 700 V (AC) 1000 V (DC)

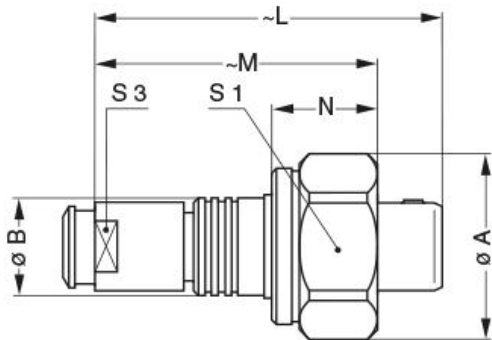
## Others

Pressure: 30 bars  
IP Rating: 68

---

## DRAWINGS

### Draws



### Dimensions

	A	B	L	M	N	S1	S3
mm.	17.2	8.9	35.5	30.8	13.5	16	7
in.	0,68	0,35	1,40	1,21	0,53	0,63	0,28

---

## RECOMMENDED BY LEMO

### Tools

None

### Cables

050 140	PVC	Grey	
---------	-----	------	---