

CTTSMD2110F Series

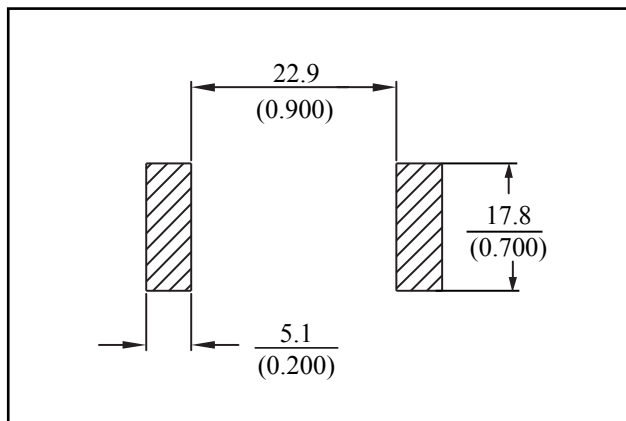
From 1.0 μ H to 1,000 μ H



CHARACTERISTICS

- Description:** High Current SMD Power Inductors
- Applications:** Input/output of DC/DC converters, Industrial electronics, Portable communications equipment, Camcorders, LCD TVs, Car radios
- Test Voltage:** 0.1V
- Reflow Soldering:** 230°C, 50 sec. max.
- Operating Temperature:** -55°C to +105°C
- Storage Temperature:** -55°C to +105°C
- Resistance to Soldering Heat:** 260°C, 10 sec. max.
- Rated Current:** See "Inductance vs. Current" table
- Temperature Rise:** 30°C typical at IDC
- Materials:**
- Core: Iron
 - Wire: Enameled copper
 - Adhesive: Epoxy resin
 - Terminal: 99.3%Sn/0.7%Cu
- Samples available. See website for ordering information.**

PAD LAYOUT

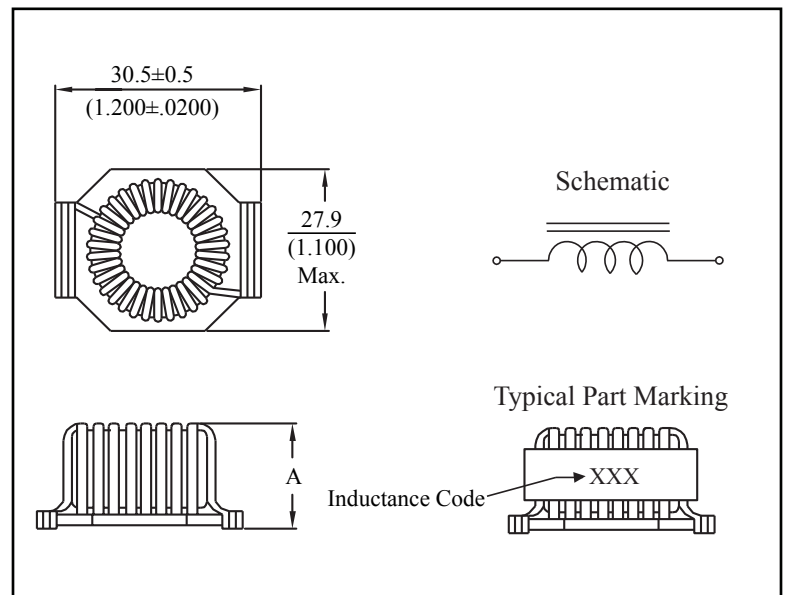


SPECIFICATIONS

Part numbers indicate available inductance tolerance.
K = 10%, M = 20%

Part Number	L(μ H) @1kHz	IDC (A)	DCR (m Ω) Max.	Dim. A Max. mm/(in.)
CTTSMD2110F-1R0M	1.0	22.7	2	14.48/(0.57)
CTTSMD2110F-1R2M	1.2	20.3	2	14.48/(0.57)
CTTSMD2110F-1R5M	1.5	20.3	2	14.48/(0.57)
CTTSMD2110F-1R8M	1.8	18.5	3	14.48/(0.57)
CTTSMD2110F-2R2M	2.2	17.2	3	14.48/(0.57)
CTTSMD2110F-2R7M	2.7	16.0	4	14.48/(0.57)
CTTSMD2110F-3R3M	3.3	16.0	4	14.48/(0.57)
CTTSMD2110F-3R9M	3.9	15.1	4	14.48/(0.57)
CTTSMD2110F-4R7M	4.7	14.4	4	14.48/(0.57)
CTTSMD2110F-5R6M	5.6	13.7	5	14.48/(0.57)
CTTSMD2110F-6R8M	6.8	13.1	5	14.48/(0.57)
CTTSMD2110F-8R2M	8.2	12.6	6	14.48/(0.57)
CTTSMD2110F-100K	10	11.7	7	14.48/(0.57)
CTTSMD2110F-120K	12	11.3	7	14.48/(0.57)
CTTSMD2110F-150K	15	10.7	8	14.48/(0.57)
CTTSMD2110F-180K	18	10.2	9	14.48/(0.57)
CTTSMD2110F-220K	22	9.7	10	14.48/(0.57)
CTTSMD2110F-270K	27	8.2	14	13.72/(0.54)
CTTSMD2110F-330K	33	7.0	19	13.21/(0.52)
CTTSMD2110F-390K	39	6.8	20	15.75/(0.62)
CTTSMD2110F-470K	47	6.5	22	15.75/(0.62)
CTTSMD2110F-560K	56	6.2	24	15.75/(0.62)
CTTSMD2110F-680K	68	5.9	27	15.75/(0.62)
CTTSMD2110F-820K	82	5.6	29	15.75/(0.62)
CTTSMD2110F-101K	100	5.4	32	15.75/(0.62)
CTTSMD2110F-121K	120	5.1	35	15.75/(0.62)
CTTSMD2110F-151K	150	4.3	49	14.99/(0.59)
CTTSMD2110F-181K	180	3.7	66	13.46/(0.53)
CTTSMD2110F-221K	220	3.5	74	15.24/(0.60)
CTTSMD2110F-271K	270	3.4	82	15.24/(0.60)
CTTSMD2110F-331K	330	3.2	90	15.24/(0.60)
CTTSMD2110F-391K	390	3.1	98	15.24/(0.60)
CTTSMD2110F-471K	470	2.6	133	14.48/(0.57)
CTTSMD2110F-561K	560	2.5	146	14.48/(0.57)
CTTSMD2110F-681K	680	2.1	202	13.72/(0.54)
CTTSMD2110F-821K	820	2.0	221	15.24/(0.60)
CTTSMD2110F-102K	1000	1.9	244	15.24/(0.60)

PHYSICAL DIMENSIONS



INDUCTANCE VS. CURRENT

Part Number	L(μH)	IDC (A) to decrease L by 10%	IDC (A) to decrease L by 20%	IDC (A) to decrease L by 40%	IDC (A) to decrease L by 50%
CTTSMD2110F-1R0M	1.0	17.0	22.7	50.0	66.0
CTTSMD2110F-1R2M	1.2	13.5	21.2	40.0	53.0
CTTSMD2110F-1R5M	1.5	13.2	21.0	39.8	52.8
CTTSMD2110F-1R8M	1.8	11.1	17.9	33.5	44.5
CTTSMD2110F-2R2M	2.2	9.50	15.4	28.6	38.1
CTTSMD2110F-2R7M	2.7	8.30	13.5	25.1	33.5
CTTSMD2110F-3R3M	3.3	8.30	13.4	25.0	33.4
CTTSMD2110F-3R9M	3.9	7.40	11.9	22.4	29.8
CTTSMD2110F-4R7M	4.7	6.70	10.7	20.1	26.8
CTTSMD2110F-5R6M	5.6	6.10	9.70	18.2	24.4
CTTSMD2110F-6R8M	6.8	5.55	8.90	16.7	22.3
CTTSMD2110F-8R2M	8.2	5.15	8.25	15.5	20.6
CTTSMD2110F-100K	10	4.45	7.05	13.4	17.8
CTTSMD2110F-120K	12	4.15	6.70	12.6	16.7
CTTSMD2110F-150K	15	3.70	5.95	11.2	14.9
CTTSMD2110F-180K	18	3.35	5.35	10.1	13.4
CTTSMD2110F-220K	22	2.80	4.84	9.15	12.1
CTTSMD2110F-270K	27	2.65	4.17	8.02	10.7
CTTSMD2110F-330K	33	2.40	3.80	7.25	9.55
CTTSMD2110F-390K	39	2.20	3.53	6.70	8.90
CTTSMD2110F-470K	47	2.05	3.25	6.05	8.10
CTTSMD2110F-560K	56	1.85	2.98	5.55	7.50
CTTSMD2110F-680K	68	1.67	2.67	5.02	6.70
CTTSMD2110F-820K	82	1.51	2.43	4.45	6.08
CTTSMD2110F-101K	100	1.39	2.23	4.18	5.58
CTTSMD2110F-121K	120	1.26	2.02	3.78	5.05
CTTSMD2110F-151K	150	1.13	1.81	3.40	4.54
CTTSMD2110F-181K	180	1.03	1.64	3.08	4.12
CTTSMD2110F-221K	220	0.93	1.45	2.79	3.70
CTTSMD2110F-271K	270	0.83	1.34	2.51	3.35
CTTSMD2110F-331K	330	0.76	1.21	2.28	3.04
CTTSMD2110F-391K	390	0.69	1.11	2.07	2.79
CTTSMD2110F-471K	470	0.64	1.02	1.91	2.55
CTTSMD2110F-561K	560	0.58	0.93	1.74	2.33
CTTSMD2110F-681K	680	0.53	0.84	1.58	2.11
CTTSMD2110F-821K	820	0.48	0.77	1.44	1.93
CTTSMD2110F-102K	1000	0.43	0.69	1.30	1.74