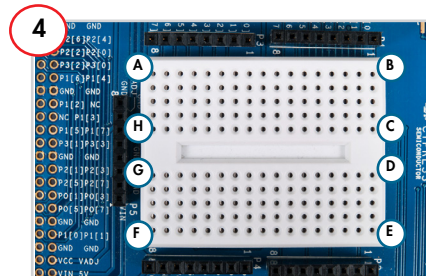
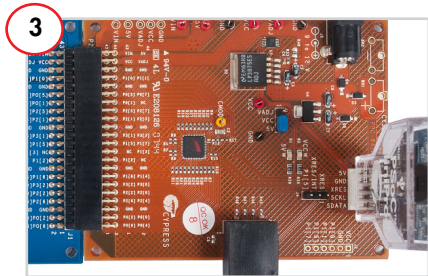


Introduction

1. The CY3280-Bread Board module kit connects to any CY3280 Universal CapSense Controller (UCC) board, such as the latest CY3280-20x66 DVK. This helps in evaluating the various PSoC features.

Board Setup

1. Connect the CY3280-BBM board to the P2 connector of any Universal CapSense Controller (UCC) board such as the CY3280-20x34 (to be purchased separately).



Board Setup

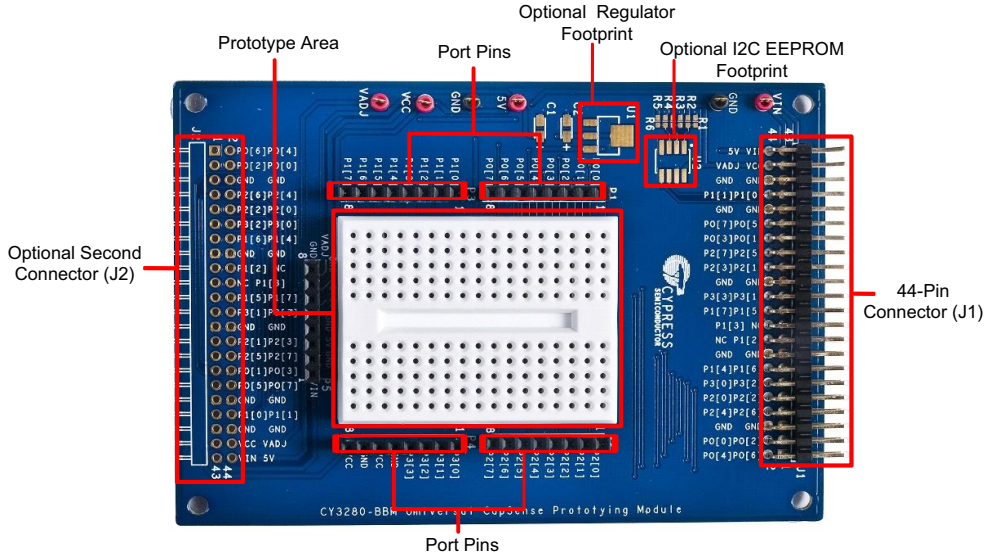
2. The CY3280-BBM provides access to every pin routed to the 44-pin connector on the attached UCC board.
3. Use the prototyping area (described in Step 4) to evaluate the PSoC features.

Module Description

1. The vertical holes on the bread board from A to H, B to C, G to F, and D to E are shorted; the horizontal holes from A to B, H to C, G to D, and F to E are isolated from each other.
2. To bring out port pins, connect the port pin headers on to the bread board with wires.

CY3280-BBM UNIVERSAL CapSense® PROTOTYPING MODULE KIT QUICK START GUIDE

CY3280-BBM Board Details



For the latest information about this kit, visit
www.cypress.com/go/CY3280-BBM

