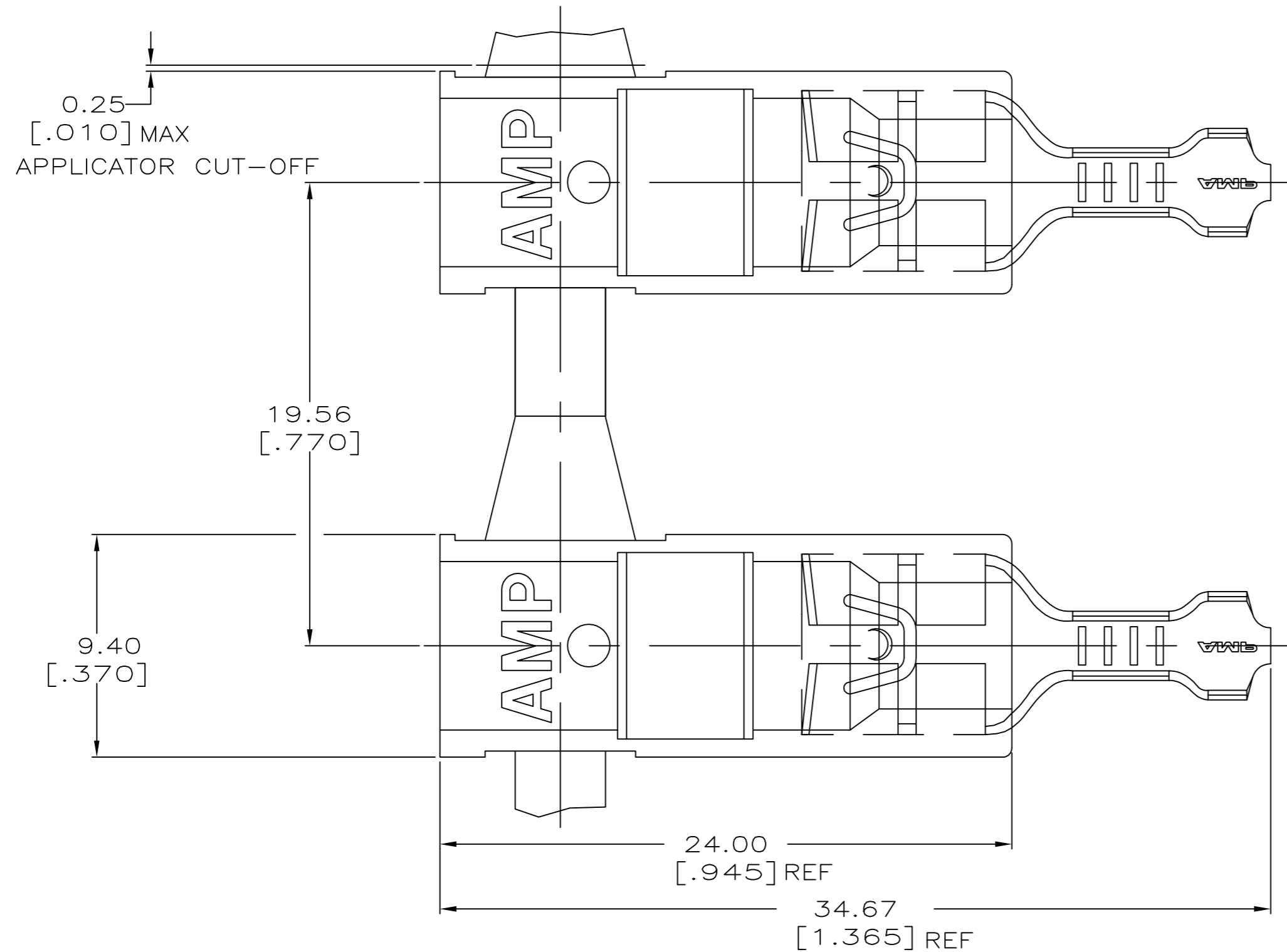
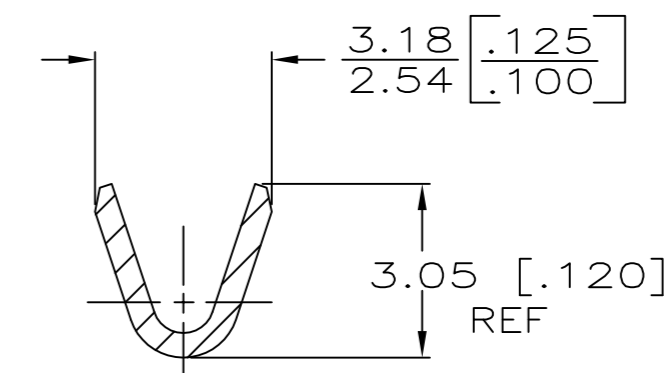


THIS DRAWING IS UNPUBLISHED. RELEASED FOR PUBLICATION
 © COPYRIGHT - By - ALL RIGHTS RESERVED.

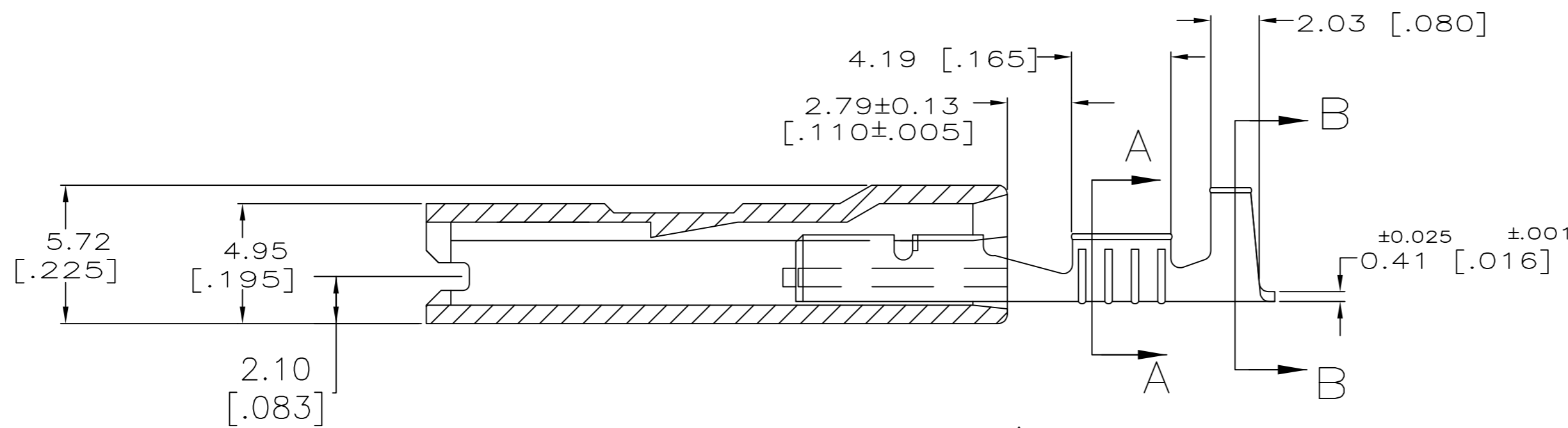
REVISIONS				
P	LTR	DESCRIPTION	DATE	APVD
F4		REVISED PER ECR-17-013352	23SEP2017	BDA MD



- 1 0.002032 [.000080] MIN TIN PER MIL-T-10727.
- 2 LOW-INSERTION FASTON TERMINALS, BASE PART NUMBER 63609, ARE USED IN THIS PRODUCT.
- 3 GLOW WIRE APPROVED, CONTACT TE ENGINEERING FOR SPECIFICATION



SECTION A-A
SCALE 8:1



SECTION B-B
SCALE 8:1

1	2.29-3.30 [.090-.130]	0.3-0.8 mm ² [22-18]	0.81 [.032]	3	520988-3
1	2.29-3.30 [.090-.130]	0.3-0.8 mm ² [22-18]	0.81 [.032]		520988-2
1	2.29-3.30 [.090-.130]	0.3-0.8 mm ² [22-18]	0.81 [.032]		520988-1
TERMINAL FINISH	INSULATION RANGE	WIRE SIZE	MATING TAB THK ±0.025 [±.001]		PART NO

THIS DRAWING IS A CONTROLLED DOCUMENT.

DWN	MICHAEL S. FEHER	5/14/91
CHK	JEFF R. RUTH	5/21/91
APVD	RICHARD FRANTZ	5/21/91
PRODUCT SPEC	108-1285	
APPLICATION SPEC	114-2124	
WEIGHT		

TE Connectivity

ASSEMBLY, HOUSING & RECEPTACLE, 6.35 [.250] SERIES ULTRA-POD

SIZE	A2	CAGE CODE	00779	DRAWING NO	C=520988	RESTRICTED TO	-
SCALE	5:1	SHEET	1 of 1	REV	F4		