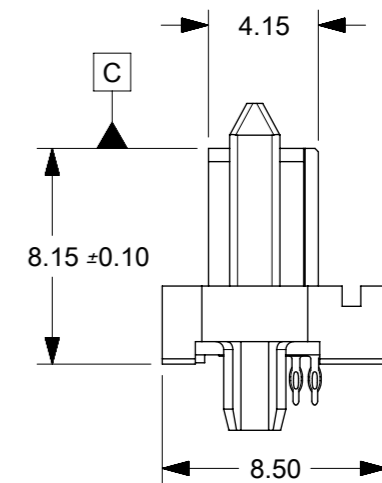
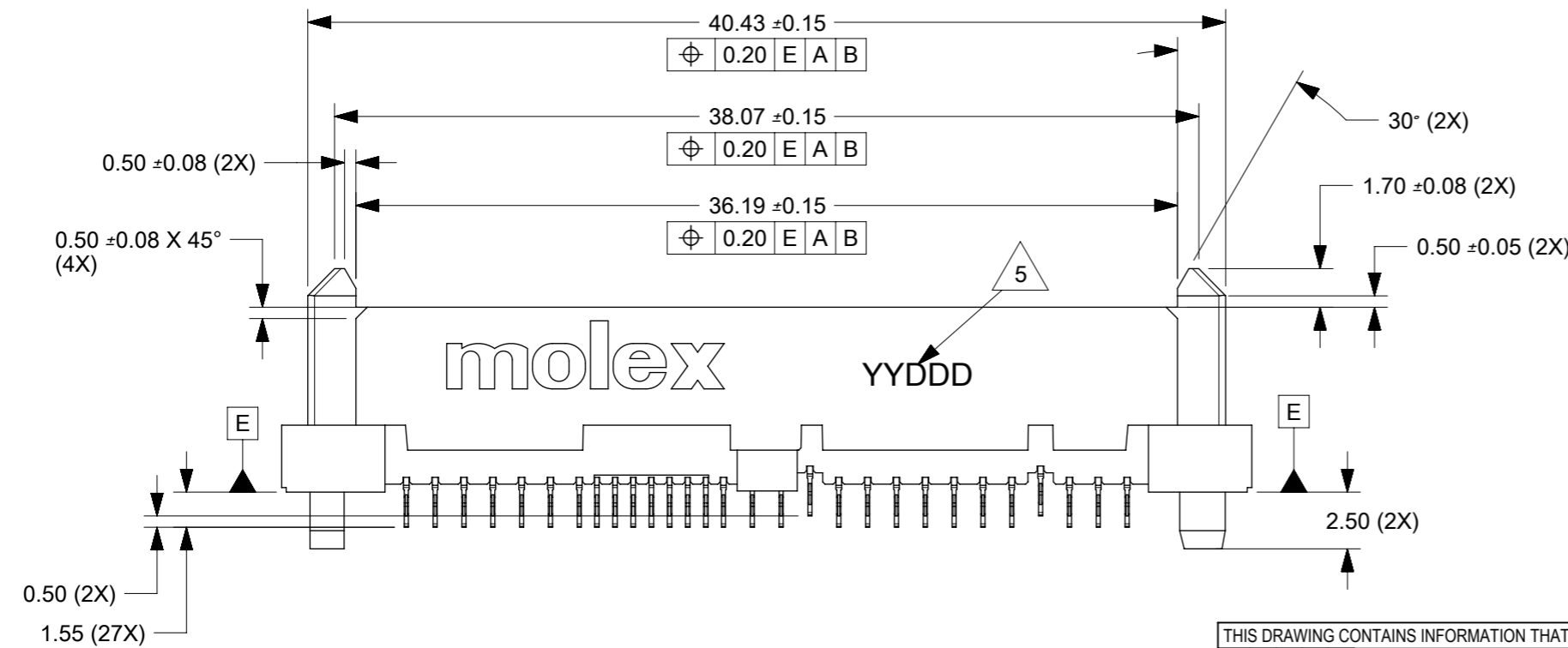
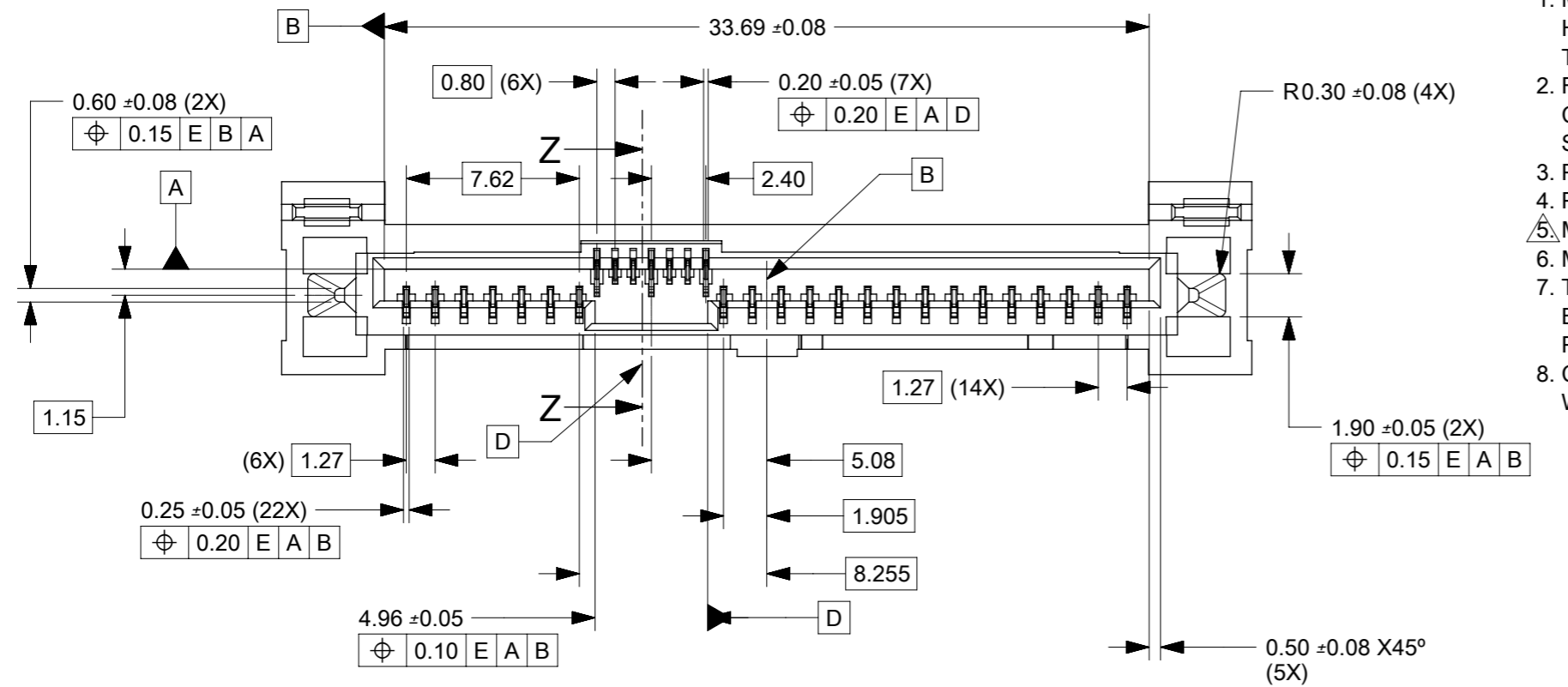


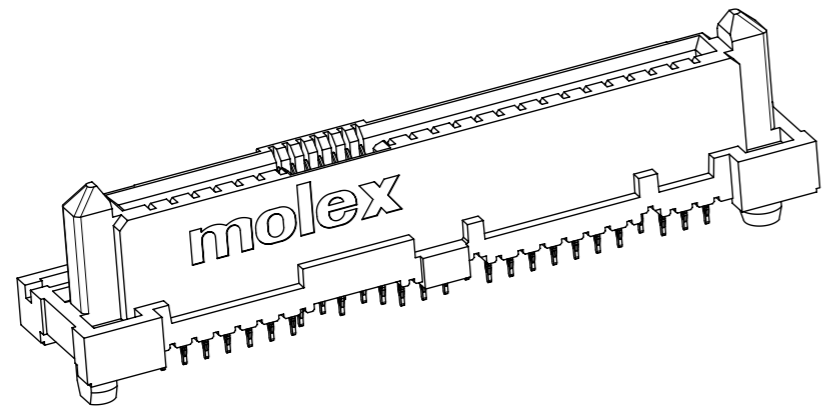
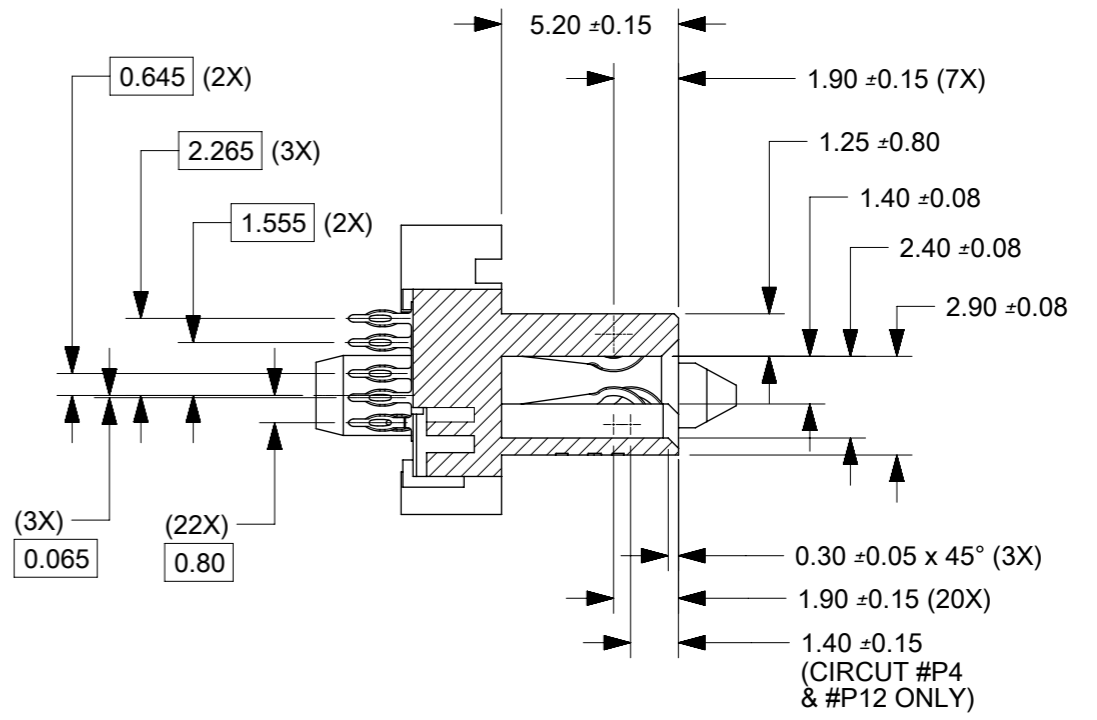
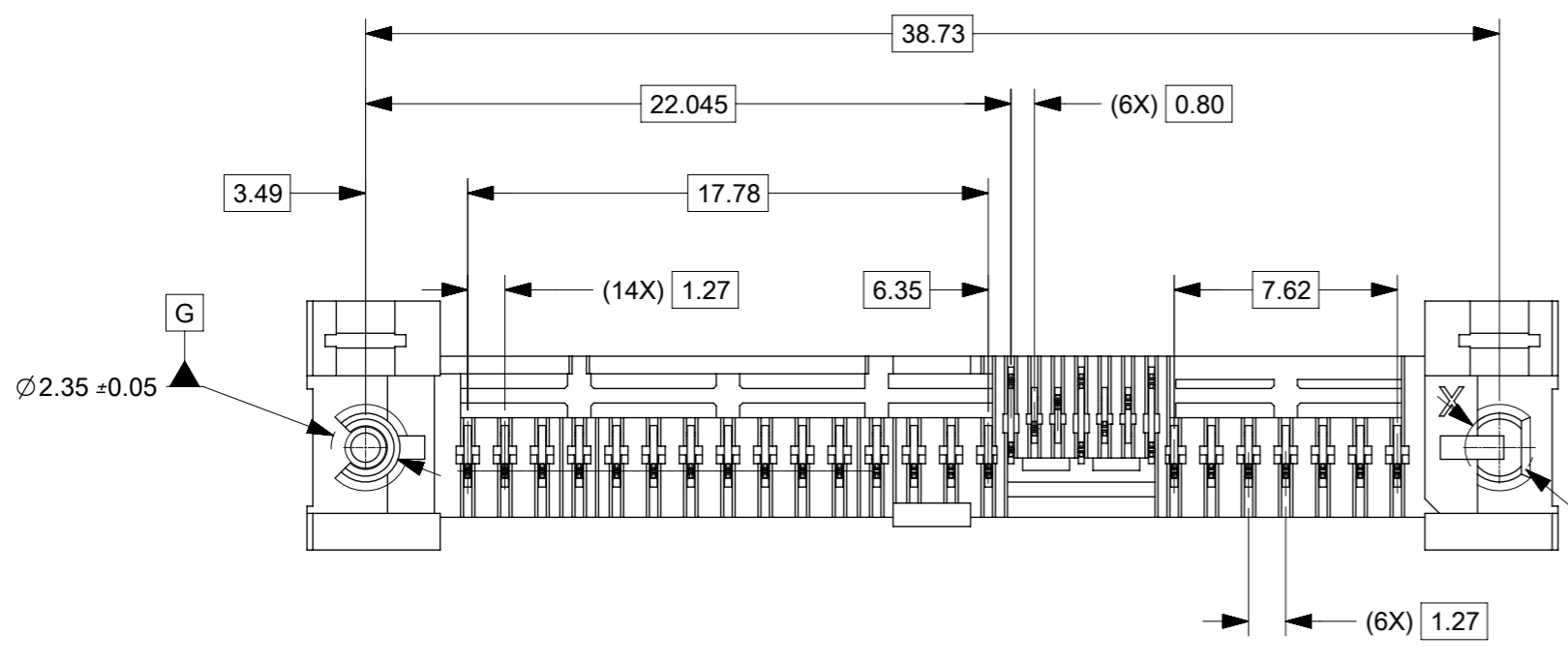
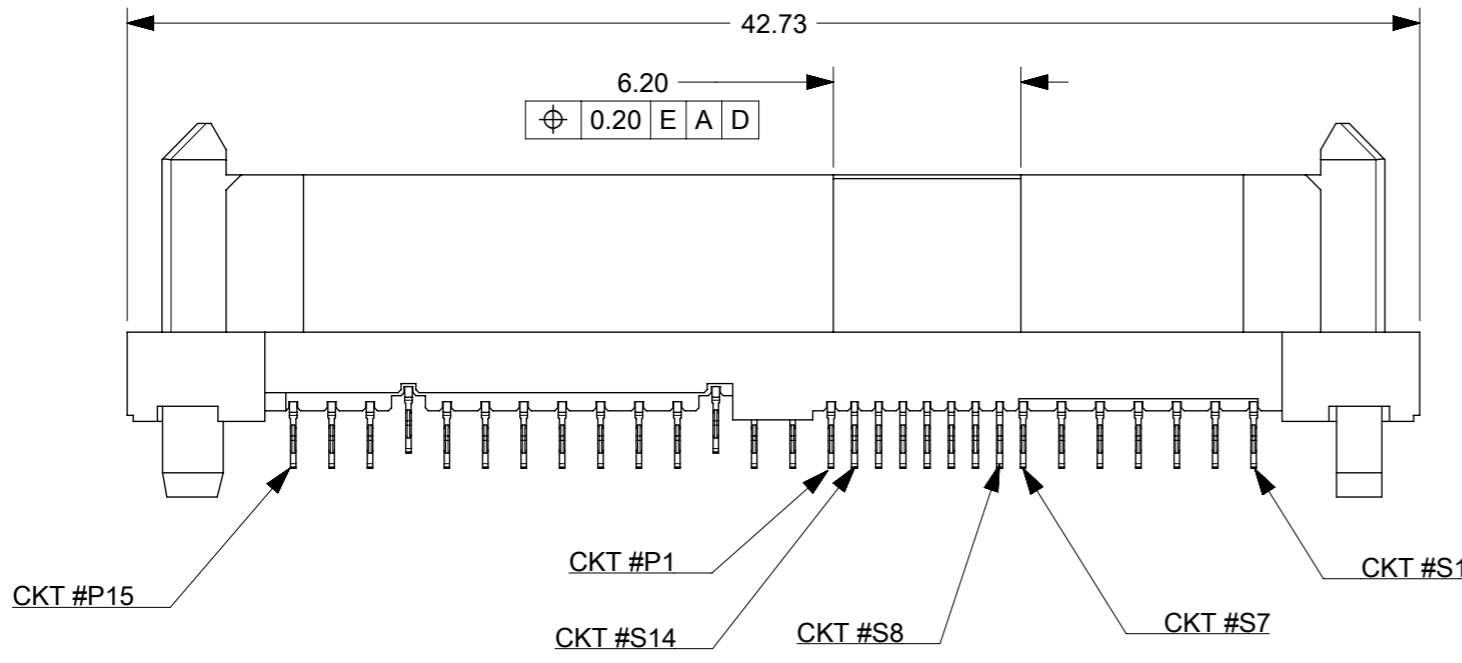
NOTES:

1. MATERIALS:
HOUSING: LCP, GLASS FILLED, UL 94V-0, COLOR: BLACK
TERMINAL: COPPER ALLOY
2. FINISHES:
CONTACT: 0.76µm MIN, SELECTIVE GOLD OVER 1.27µm MIN NICKEL UNDERPLATE
SOLDERTAIL: 2.54µm MIN TIN OVER 1.27µm MIN NICKEL UNDERPLATE.
3. PRODUCT SPECIFICATION: PS-78720-001
4. PACKAGING SPECIFICATION: 787209900
5. MOLEX LOGO AND DATE CODE TO BE LOCATED APPROXIMATELY AS SHOWN.
6. MATES WITH SFF8482 PLUG, SATA PLUG
7. THIS PRODUCT COMPLIANT TO RoHS DIRECTIVE WITH THE FOLLOWING BANNED SUBSTANCES - LEAD, MERCURY, CADMIUM, HEXAVALENT CHROMIUM, POLYBROMINATED BIPHENYLS AND POLYBROMINATED DIPHENYLS ETHERS.
8. CORING AT NON FUNCTIONAL AREA ARE SUBJECTED TO CHANGES WITHOUT NOTICES.



THIS DRAWING CONTAINS INFORMATION THAT IS PROPRIETARY TO MOLEX ELECTRONIC TECHNOLOGIES, LLC AND SHOULD NOT BE USED WITHOUT WRITTEN PERMISSION

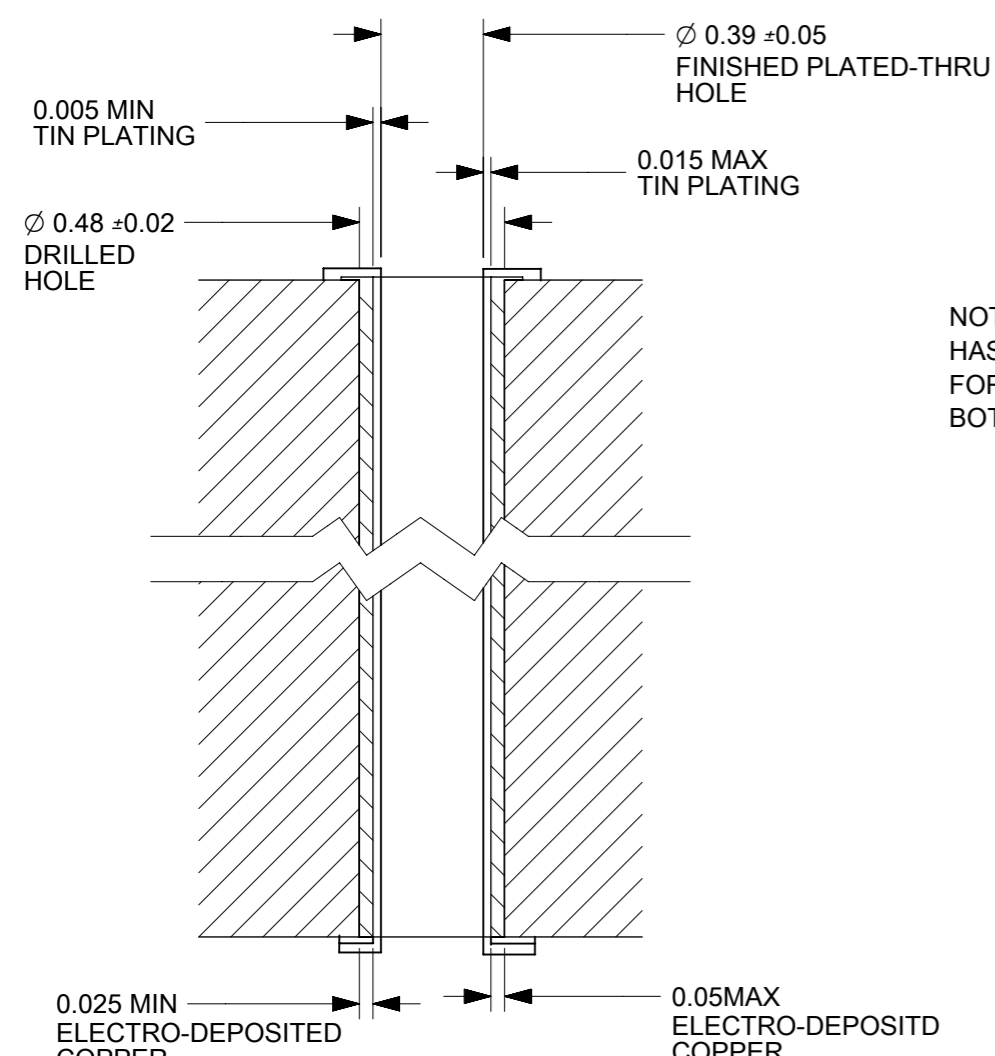
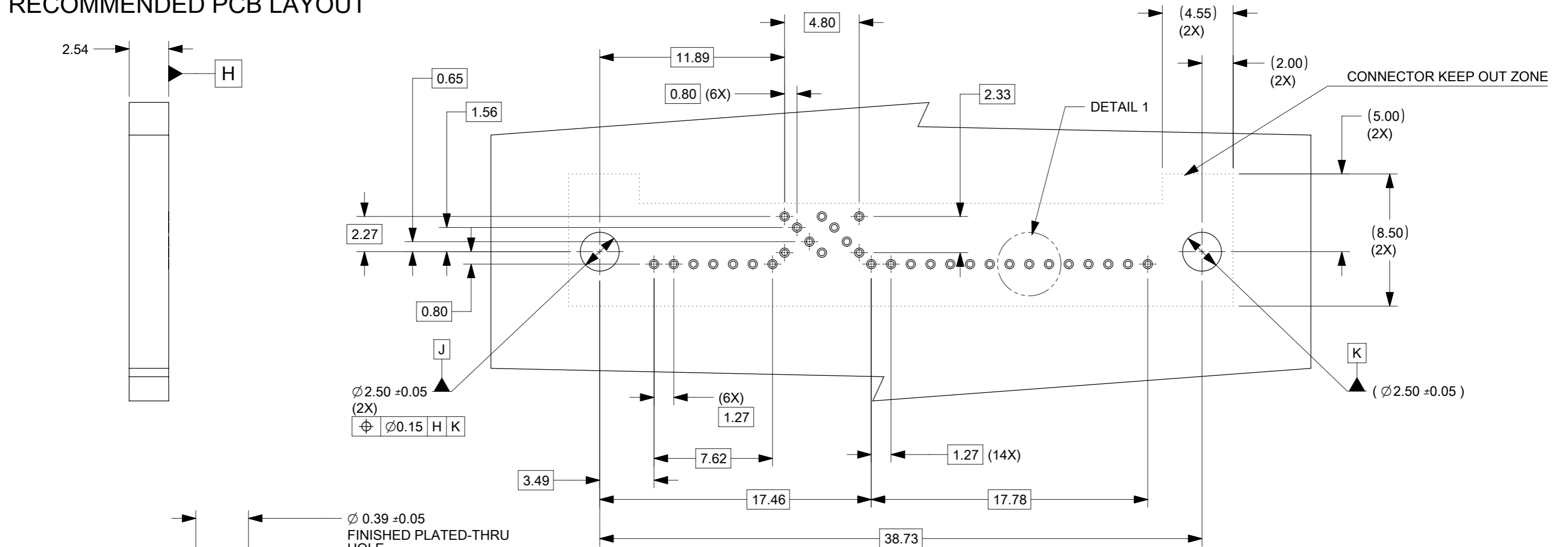
UPDATE NOTE 4 2017/07/18 EC NO: 119394 DRWN: SKANG CHK'D: REVISION: 4 DATE: 2015/12/14	2017/10/13 SHONG	GENERAL TOLERANCES (UNLESS SPECIFIED)		DIMENSION UNITS	SCALE	
		ANGULAR TOL ± 3.0 °		MM	NTS	
		4 PLACES ±	CGOH	DATE	2012/08/29	
		3 PLACES ±	CHK'D BY	DATE	SCHEONG 2012/10/17	
2 PLACES ± 0.2	APPR BY	DATE	BOKOK 2012/10/29			
1 PLACE ±	DRAFT WHERE APPLICABLE MUST REMAIN WITHIN DIMENSIONS		DRAWING SIZE	THIRD ANGLE PROJECTION	SERIES: 78720 MATERIAL NUMBER: 78720-0001 CUSTOMER: GENERAL MARKET	
A1	REV			A3	DOCUMENT NUMBER: SD-78720-001 DOC TYPE: PSD DOC PART: 000 SHEET NUMBER: 1 OF 3	



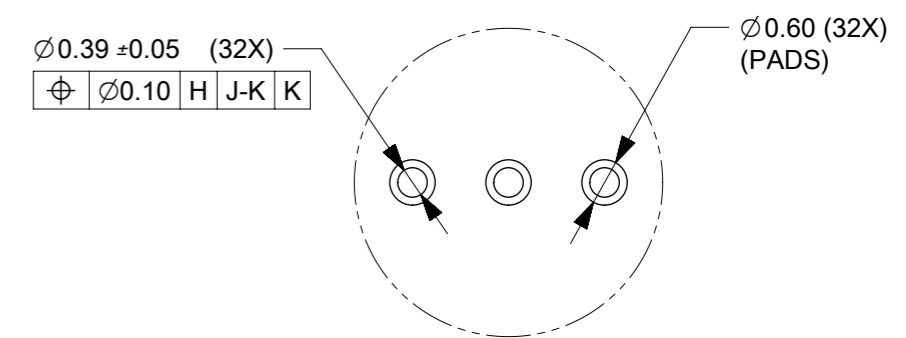
THIS DRAWING CONTAINS INFORMATION THAT IS PROPRIETARY TO MOLEX ELECTRONIC TECHNOLOGIES, LLC AND SHOULD NOT BE USED WITHOUT WRITTEN PERMISSION

UPDATE NOTE 4 2017/07/18 EC NO: 119394 DRWN: SKANG CHK'D: REV APPR: SHONG	GENERAL TOLERANCES (UNLESS SPECIFIED)		DIMENSION UNITS	SCALE	
	ANGULAR TOL $\pm 3.0^\circ$		MM	NTS	
	4 PLACES \pm		DRWN BY	DATE	
	3 PLACES \pm		CGOH	2012/08/29	
	2 PLACES ± 0.2		CHK'D BY	DATE	
	1 PLACE \pm		SCHEONG	2012/10/17	
	0 PLACES \pm		APPR BY	DATE	
			BOKOK	2012/10/29	
DRAFT WHERE APPLICABLE MUST REMAIN WITHIN DIMENSIONS			DRAWING SIZE	THIRD ANGLE PROJECTION	SERIES: 78720 MATERIAL NUMBER: 78720-0001 CUSTOMER: GENERAL MARKET
A1			A3		DOCUMENT NUMBER: SD-78720-001 DOC TYPE: PSD DOC PART: 000 SHEET NUMBER: 2 OF 3

RECOMMENDED PCB LAYOUT



NOTE:
HASL PLATING PROCESS FOR THE PLATED THRU HOLE IS NOT RECOMMENDED.
FOR OPTIMAL HIGH SPEED ELECTRICAL PERFORMANCE,
BOTTOM ROUTING, THINNER PCBs AND/ OR BACK DRILLING IS RECOMMENDED.



DETAIL 1

THIS DRAWING CONTAINS INFORMATION THAT IS PROPRIETARY TO MOLEX ELECTRONIC TECHNOLOGIES, LLC AND SHOULD NOT BE USED WITHOUT WRITTEN PERMISSION											
UPDATE NOTE 4 EC NO: 119394 DRWN: SKANG CHK'D: APPR: SHONG	2017/07/18		2017/10/13		GENERAL TOLERANCES (UNLESS SPECIFIED)		DIMENSION UNITS		SCALE		<p>SAS RECEPTACLE PRESS-FIT STANDARD HEIGHT</p> <p>PRODUCT CUSTOMER DRAWING</p>
	4 PLACES		±		ANGULAR TOL ± 3.0 °		MM		NTS		
	3 PLACES		±		DRAFT WHERE APPLICABLE MUST REMAIN WITHIN DIMENSIONS		DRWN BY		DATE		
	2 PLACES		± 0.2		A3		CGOH		2012/08/29		
	1 PLACE		±		THIRD ANGLE PROJECTION		CHK'D BY		DATE		
	0 PLACES		±		A3		SCHEONG		2012/10/17		
A1		REV		APP'R		BOKOK		2012/10/29		SERIES: 78720	
RELEASE STATUS		P1		RELEASE DATE		13.10.2017		06:13:51		MATERIAL NUMBER: 78720-0001	
DATE: 2015/12/14										CUSTOMER: GENERAL MARKET	
										DOCUMENT NUMBER: SD-78720-001	
										DOC TYPE: PSD	
										DOC PART: 000	
										SHEET NUMBER: 3 OF 3	