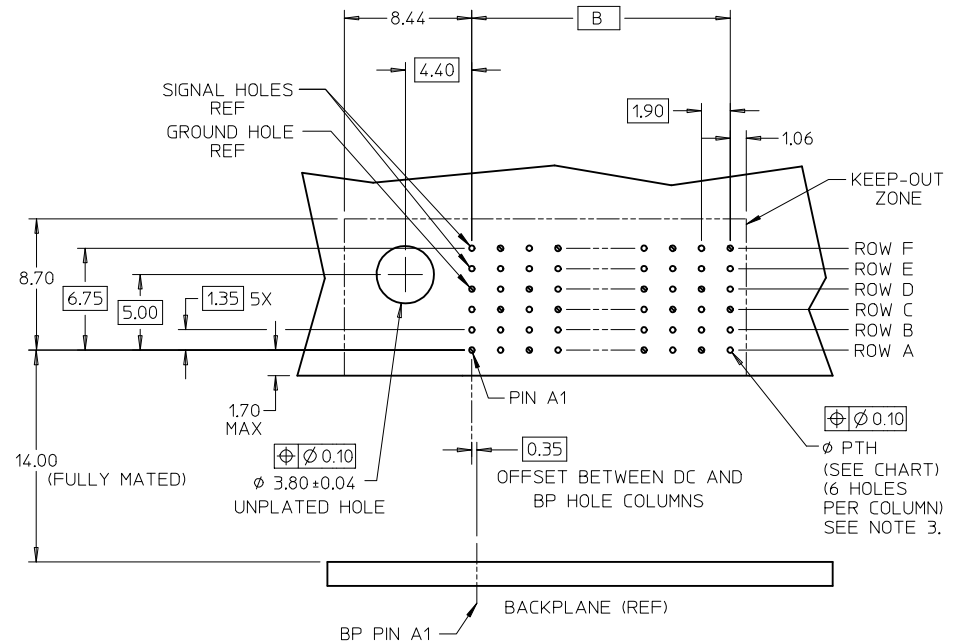
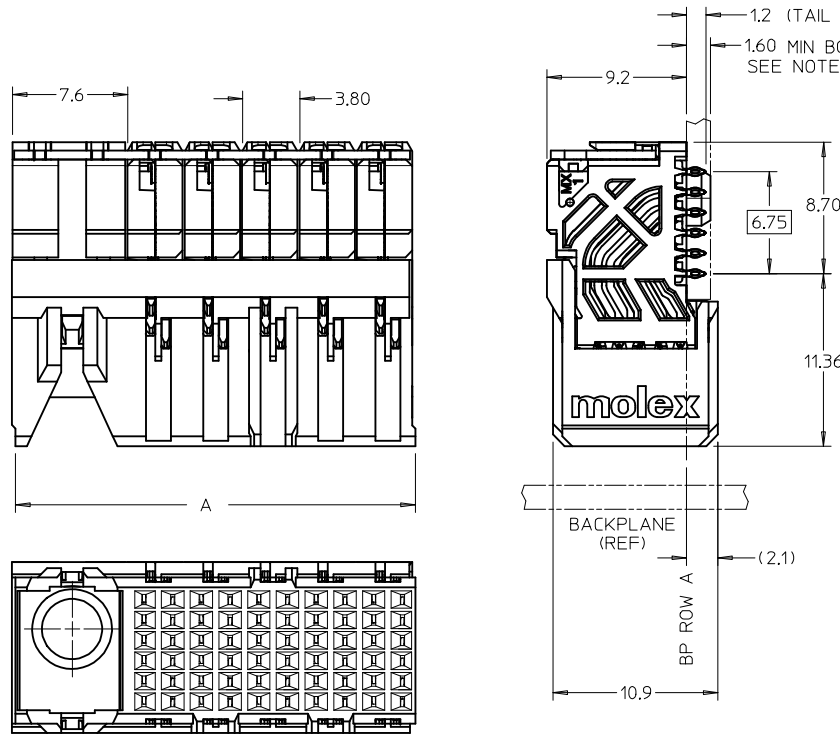
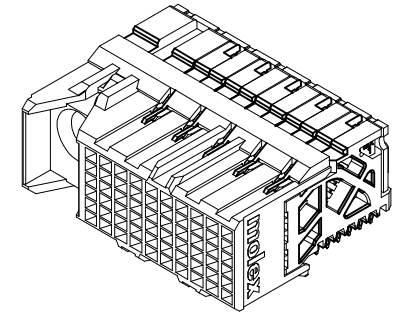


| MATERIAL NUMBER | # OF COLUMNS | # OF DIFF PAIR | DIM "A" MAX | DIM "B" | PTH ϕ |
|-----------------|--------------|----------------|-------------|---------|------------|
| 76460-*010 | 10 | 20 | 26.60 | 17.10 | 0.46 |
| 76460-*016 | 16 | 32 | 38.00 | 28.50 | ± 0.05 |
| 76460-*020 | 10 | 20 | 26.60 | 17.10 | 0.39 |
| 76460-*026 | 16 | 32 | 38.00 | 28.50 | ± 0.05 |

76460-*0**

MODULE & TAIL PLATING TYPE
3 = LEFT GUIDED LEAD-FREE

OF COLUMNS
10 = 10 COL 0.46 PTH
16 = 16 COL 0.46 PTH
20 = 10 COL 0.39 PTH
26 = 16 COL 0.39 PTH



NOTES:

- MATERIALS: HOUSING - LIQUID CRYSTAL POLYMER (LCP), GLASS-FILLED, UL94V-0
TERMINALS - HIGH PERFORMANCE COPPER ALLOY
- FINISH: 30MN MIN SELECTIVE GOLD IN CONTACT AREA, SELECTIVE TIN ON PCB TAILS, NICKEL OVERALL.
- REFER TO MOLEX PRODUCT SPEC PS-76060-999 FOR PERFORMANCE SPECIFICATIONS AND ADDITIONAL PCB INFORMATION.
- EACH SIGNAL WAFER CONTAINS 2 COLUMNS OF TERMINALS.
- PRODUCT IS PACKAGED PER PK-70873-592.
- THIS PART CONFORMS TO CLASS B REQUIREMENTS OF COSMETIC SPEC PS-45499-002.
- REFER TO MOLEX SALES DRAWING SD-76455-002 FOR THE MATING HEADERS.
- WHEN USING MOLEX SUPPLIED #2-32 SCREW 73726-4000 (4.31mm ± 0.38 THREADABLE SCREW LENGTH), THE MAXIMUM BOARD THICKNESS IS 1.8 mm TO 2.4 mm.
- REFER TO MOLEX PCB ROUTING GUIDE AS-76060-990 FOR ANTIPAD AND ROUTING RECOMMENDATIONS.

DAUGHTERCARD HOLE PATTERN
(CONNECTOR SIDE)

| REV | DESCRIPTION | QUALITY SYMBOLS | GENERAL TOLERANCES (UNLESS SPECIFIED) | | DIMENSION STYLE | | SCALE | DESIGN UNITS | THIRD ANGLE PROJECTION |
|-----|---|-----------------|---|------------|-----------------|------|-------|--------------|------------------------|
| | | | mm | INCH | MM ONLY | DATE | | | |
| D | CONVERT TO LEAD-FREE EC NO: UCP2013-2489 DRW: TIBARRA 2012/12/17 CHKD: TELO 2012/12/18 APPR: SMILLER 2012/12/31 | | 4 PLACES | ± 0.13 | ± 0.005 | DATE | 4:1 | METRIC | |
| | | | 3 PLACES | ± 0.25 | ± 0.005 | DATE | | | |
| | | | 2 PLACES | ± 0.25 | ± 0.005 | DATE | | | |
| | | | 1 PLACE | ± 0.25 | ± 0.005 | DATE | | | |
| | | | 0 PLACE | ± 0.25 | ± 0.005 | DATE | | | |
| | | | ANGULAR $\pm 1/2^\circ$ | | | | | | |
| | | | DRAFT WHERE APPLICABLE MUST REMAIN WITHIN DIMENSIONS | | | | | | |
| | | | MATERIAL NO. SEE TABLE | | DATE | | | | |
| | | | DOCUMENT NO. SD-76460-002 | | DATE | | | | |
| | | | SHEET NO. 1 OF 1 | | DATE | | | | |
| | | | THIS DRAWING CONTAINS INFORMATION THAT IS PROPRIETARY TO MOLEX INCORPORATED AND SHOULD NOT BE USED WITHOUT WRITTEN PERMISSION | | | | | | |