



# On Delay Plug-In Timer



## Specifications

### Electrical

#### Input Voltage:

24 or 115VAC, ±10%, 50/60Hz.  
24 or 125VDC ±10%, Filtered or Full Wave

#### Time Delays:

Type: Adjustable or Factory Fixed  
Range: 50 Milliseconds to 24 Hours  
Repeat Accuracy: ±0.2% of Time Range or ±10 Milliseconds, Whichever is Greater.

Fixed Time Accuracy: ±5% Worst Case

#### Reset Times:

During Timing: 50 Milliseconds, Typ.  
After Timing: 50 Milliseconds, Typ.

#### Protection:

Varistor and/or R-C Network

**Power Consumption:** 5VA

#### Output Relay:

10 Amps @ 120/240VAC  
500,000 Full Load Electrical Cycles  
50,000,000 Mechanical Cycles

### U.L. & CSA Ratings:

5 Amps, 1/3 HP, 125VA @ 240VAC  
5 Amps, 1/6 HP, 125VA @ 120VAC

### Physical

**Mounting:** Plug-In

#### Termination:

8 or 11 Pin & Blade Base

**Packaging:** Dust Cover

**Weight:** 7 Oz.

### Ambient Temperatures

**Operating:** -10°C to 65°C

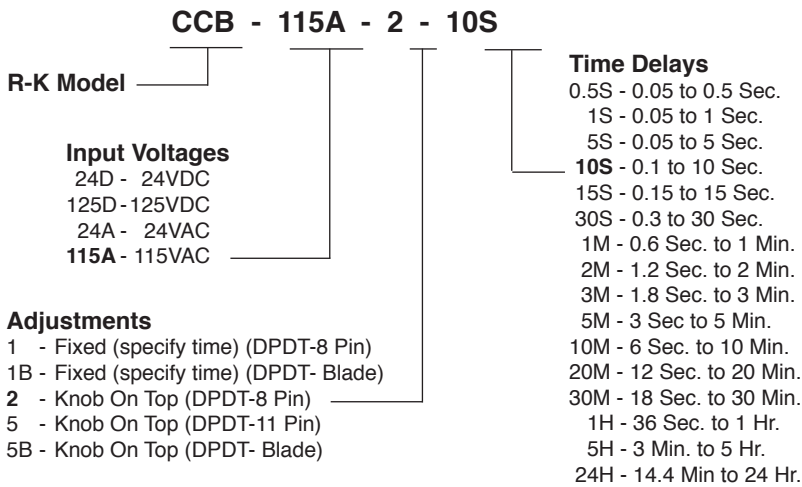
**U.L. Operating:** -10°C to 40°C

**U.L. Storage:** -10°C to 85°C

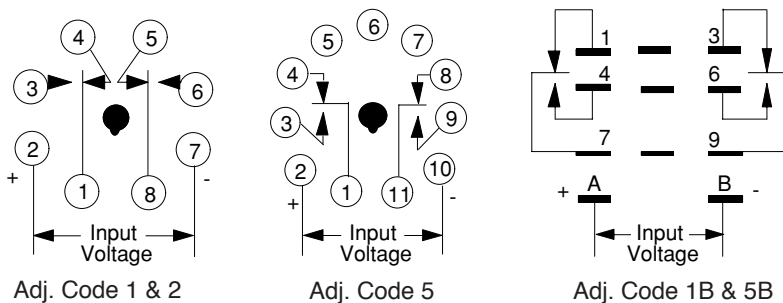


- Digital CMOS Design
- 10 Amp, DPDT
- ±0.2% Repeatability
- Transient Protected
- Timing Ranges Up To 24 Hours

## Ordering Information



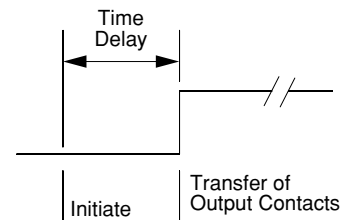
## Connections



## Operation

### On Delay

When input voltage is applied to the CCB, the timing cycle begins. At the end of the timed period the internal relay is energized, transferring the output contacts. When input voltage is removed, the timing circuit is reset and the internal relay is de-energized.



## Dimensions

