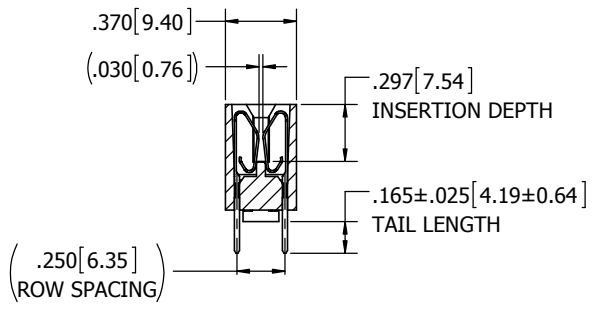
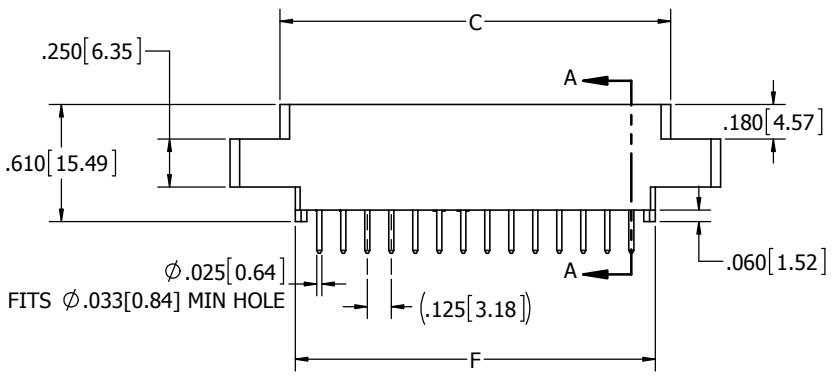
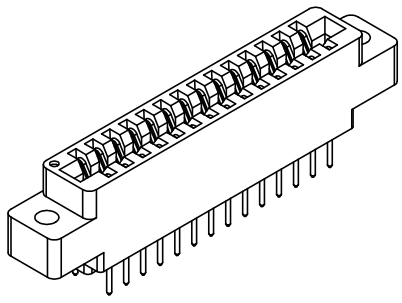
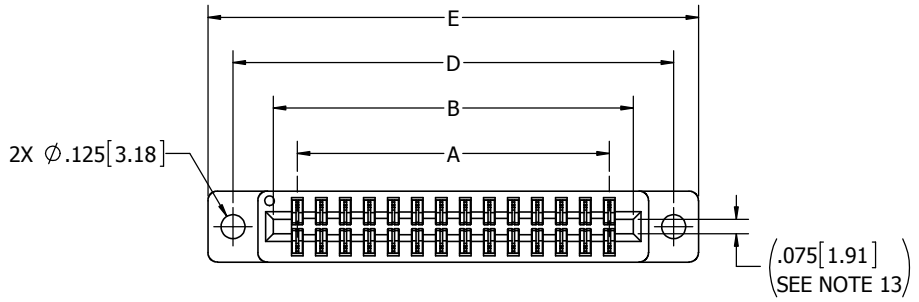


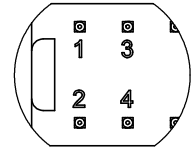
REVISIONS				
REV.	ECO NO.	DESCRIPTION	DATE	BY
A	2905	INITIAL RELEASE	1/28/2014	JHSU

PRELIMINARY



SECTION A-A

--- A --- DTJH



CONTACT ID
SCALE 4:1

- NOTES:**
1. INSULATOR MATERIAL: SEE PART NUMBER CODING
 2. CONTACT MATERIAL: SEE PART NUMBER CODING
 3. PLATING: .SEE PART NUMBER CODING
 4. OPERATING TEMPERATURE: SEE PART NUMBER CODING
 5. PROCESSING TEMP: SEE PART NUMBER CODING
 6. UL FLAMMABILITY RATING: 94V-0
 7. OPERATING VOLTAGE: 750 VAC MINIMUM AT SEA LEVEL
 8. CURRENT RATING: 3 AMP
 9. CONTACT RESISTANCE: 30 MILLI OHMS MAX
 10. INSULATION RESISTANCE: 5000 MEGA OHMS
 11. DURABILITY: 500 CYCLES MIN
 12. CONNECTOR IDENTIFICATION: THE PART SHALL BE MARKED WITH A PART NUMBER AND LOT CODE
 13. BOARD THICKNESS ACCOMMODATED: .062 ± .008 [1.57 ± 0.20]
 14. INSERTION FORCE: 8 OZ MAX PER CONTACT PAIR WHEN USING A .062 [1.57] TEST BLADE
 15. WITHDRAWAL FORCE: 1 OZ MIN PER CONTACT PAIR USING .062 [1.57] PCB

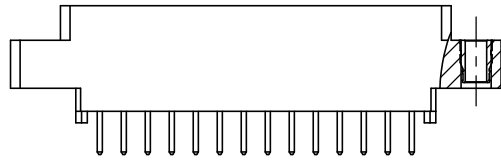
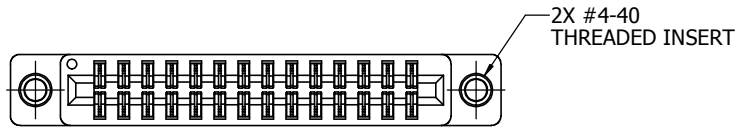


UNLESS OTHERWISE SPECIFIED:
DIMENSIONS ARE IN INCHES [MM]

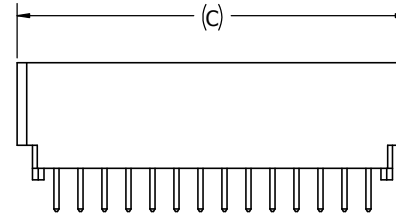
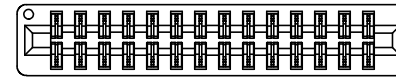
TOLERANCES:
ANGULAR: ± 1°
DECIMALS
.XX = ± .02 [5]
.XXX = ± .005 [13]
.XXXX = ± .0005 [013]

DRAWN	DATE	NAME	SULLINS CONNECTOR SOLUTIONS	
	1/29/2014	JHSU	TITLE EDGECARD, .125 CC HP	
THE INFORMATION HEREIN CONTAINS PROPRIETARY INFORMATION OF SULLINS ELECTRONICS AND IS NOT TO BE REPRODUCED, USED OR DISCLOSED TO OTHERS FOR ANY PURPOSE EXCEPT AS SPECIFICALLY AUTHORIZED IN WRITING BY AN OFFICER OF SULLINS ELECTRONICS.			PART NUMBER -- A -- DTJH	
SIZE	CAGE CODE	DWG. NO.	REV	
C	54453	C12346	A	
SCALE: 2:1		SHEET 1 OF 3		

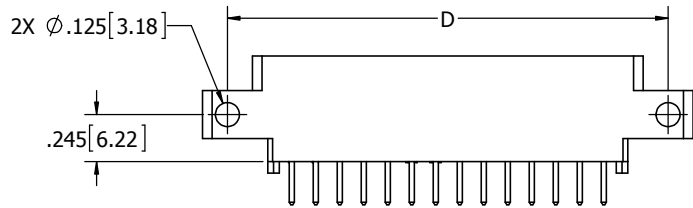
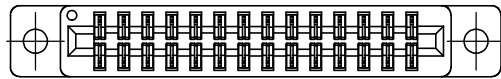
CUSTOMER COPY



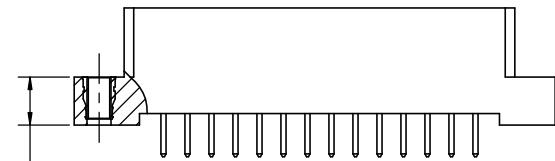
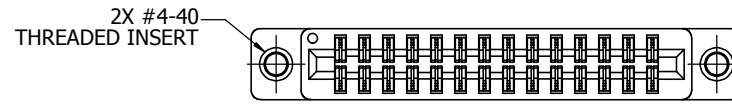
-- A -- DTJI



-- A -- DTJN

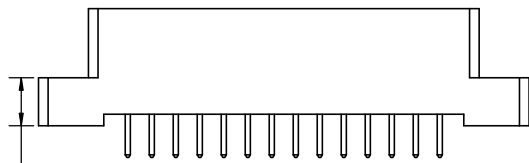
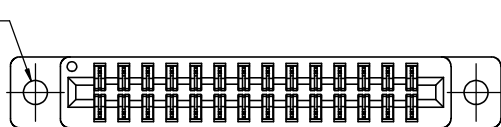


-- A -- DTJS



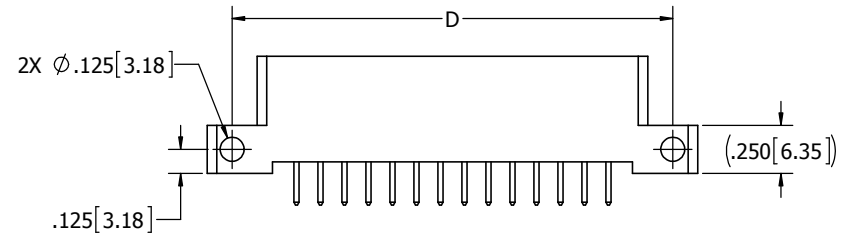
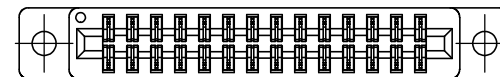
T = .250 [6.35]
X = .430 [10.92]

-- A -- DTJT
-- A -- DTJX



D = .250 [6.35]
W = .430 [10.92]

-- A -- DTJD
-- A -- DTJW



-- A -- DTJZ

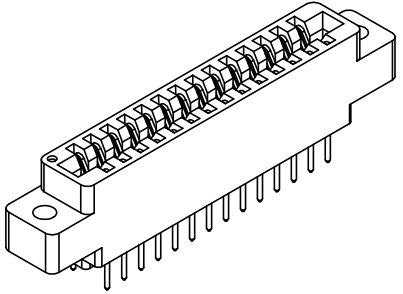
CUSTOMER COPY



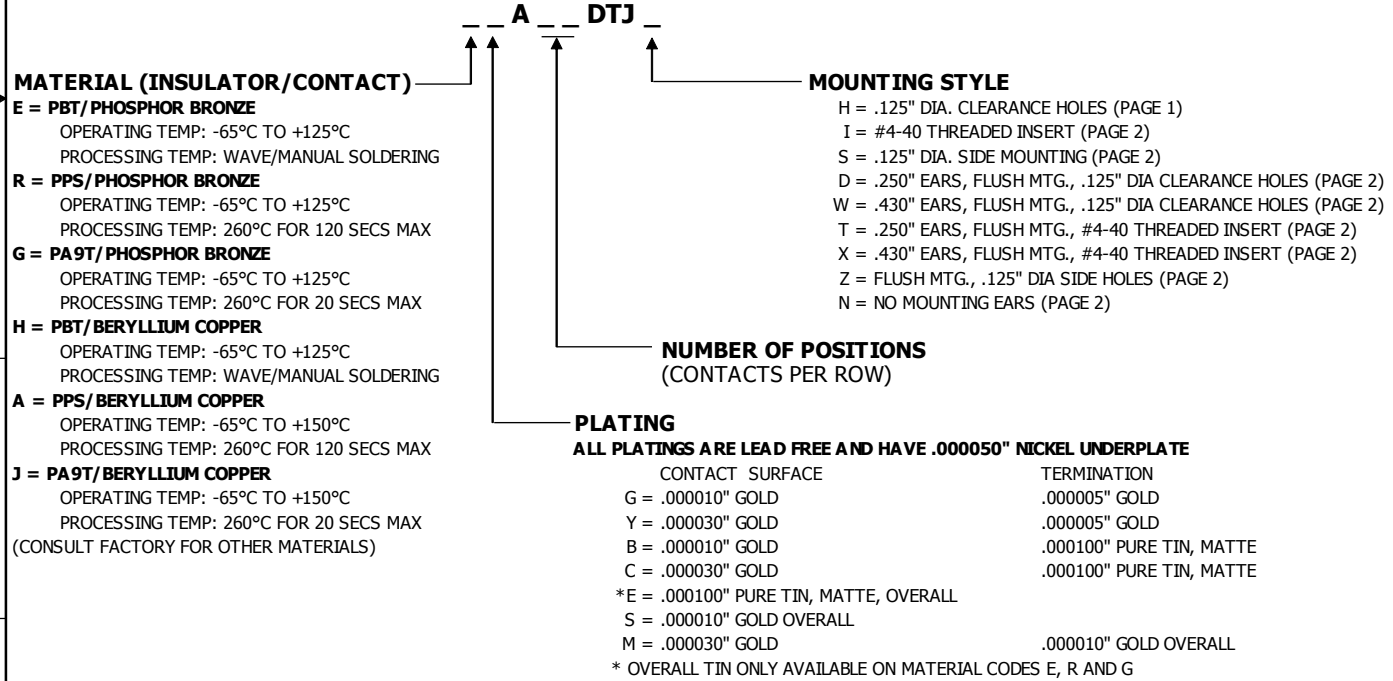
RoHS COMPLIANT

UNLESS OTHERWISE SPECIFIED, DIMENSIONS ARE IN INCHES (MM)		DRAWN	DATE	NAME	
TOLERANCES:			1/29/2014	JHSU	
ANGULAR: $\pm 1^\circ$		<small>THE INFORMATION HEREIN CONTAINS PROPRIETARY INFORMATION OF SULLINS ELECTRONICS AND IS NOT TO BE REPRODUCED, USED OR DISCLOSED TO OTHERS FOR ANY PURPOSE EXCEPT AS SPECIFICALLY AUTHORIZED IN WRITING BY AN OFFICER OF SULLINS ELECTRONICS.</small>			TITLE
DECIMALS					EDGECARD, .125 CC HP
.XX = $\pm .02$ [5]					PART NUMBER
.XXX = $\pm .005$ [13]					-- A -- DTJ --
.XXXX = $\pm .0005$ [13]		SIZE	CAGE CODE	DWG. NO.	REV
		C	54453		A
		SCALE: 2:1		C12346	SHEET 2 OF 3

PART NUMBER	NO. OF POS.	INCHES						MILLIMETERS					
		A±.008	B±.008	C±.015	D±.010	E±.020	F±.015	A±0.20	B±0.20	C±0.38	D±0.25	E±0.51	F±0.38
A06DTJ	6	0.625	0.875	1.035	1.295	1.555	0.875	15.88	22.23	26.29	32.89	39.50	22.23
A10DTJ	10	1.125	1.375	1.535	1.795	2.055	1.375	28.58	34.93	38.99	45.59	52.20	34.93
A14DTJ	14	1.625	1.875	2.035	2.295	2.555	1.875	41.28	47.63	51.69	58.29	64.90	47.63
A15DTJ	15	1.750	2.000	2.160	2.420	2.680	2.000	44.45	50.80	54.86	61.47	68.07	50.80
A18DTJ	18	2.125	2.375	2.535	2.795	3.055	2.375	53.98	60.33	64.39	70.99	77.60	60.33
A22DTJ	22	2.625	2.875	3.035	3.295	3.555	2.875	66.68	73.03	77.09	83.69	90.30	73.03
A24DTJ	24	2.875	3.125	3.285	3.545	3.805	3.125	73.03	79.38	83.44	90.04	96.65	79.38
A25DTJ	25	3.000	3.250	3.410	3.670	3.930	3.250	76.20	82.55	86.61	93.22	99.82	82.55
A28DTJ	28	3.375	3.625	3.785	4.045	4.305	3.625	85.73	92.08	96.14	102.74	109.35	92.08
A30DTJ	30	3.625	3.875	4.035	4.295	4.555	3.875	92.08	98.43	102.49	109.09	115.70	98.43
A31DTJ	31	3.750	4.000	4.160	4.420	4.680	4.000	95.25	101.60	105.66	112.27	118.87	101.60
A32DTJ	32	3.875	4.125	4.285	4.545	4.805	4.125	98.43	104.78	108.84	115.44	122.05	104.78
A35DTJ	35	4.250	4.500	4.660	4.920	5.180	4.500	107.95	114.30	118.36	124.97	131.57	114.30
A36DTJ	36	4.375	4.625	4.785	5.045	5.305	4.625	111.13	117.48	121.54	128.14	134.75	117.48
A40DTJ	40	4.875	5.125	5.285	5.545	5.805	5.125	123.83	130.18	134.24	140.84	147.45	130.18
A43DTJ	43	5.250	5.500	5.660	5.920	6.180	5.500	133.35	139.70	143.76	150.37	156.97	139.70
A44DTJ	44	5.375	5.625	5.785	6.045	6.305	5.625	136.53	142.88	146.94	153.54	160.15	142.88
A49DTJ	49	6.000	6.250	6.410	6.670	6.930	6.250	152.40	158.75	162.81	169.42	176.02	158.75
A50DTJ	50	6.125	6.375	6.535	6.795	7.055	6.375	155.58	161.93	165.99	172.59	179.20	161.93



PART NUMBER CODING



CUSTOMER COPY

UNLESS OTHERWISE SPECIFIED: DIMENSIONS ARE IN INCHES (MM)		DRAWN	DATE	NAME	
TOLERANCES: ANGULAR: ± 1° DECIMALS .XX = ± .02 [5] .XXX = ± .005 [13] .XXXX = ± .0005 [013]			1/29/2014	JHSU	
THE INFORMATION HEREIN CONTAINS PROPRIETARY INFORMATION OF SULLINS ELECTRONICS AND IS NOT TO BE REPRODUCED, USED OR DISCLOSED TO OTHERS FOR ANY PURPOSE EXCEPT AS SPECIFICALLY AUTHORIZED IN WRITING BY AN OFFICER OF SULLINS ELECTRONICS.					TITLE EDGECARD, .125 CC HP
PART NUMBER _A DTJ_					REV A
SIZE C	CAGE CODE 54453	DWG. NO. C12346	SCALE: 2:1		
SHEET 3 OF 3					

