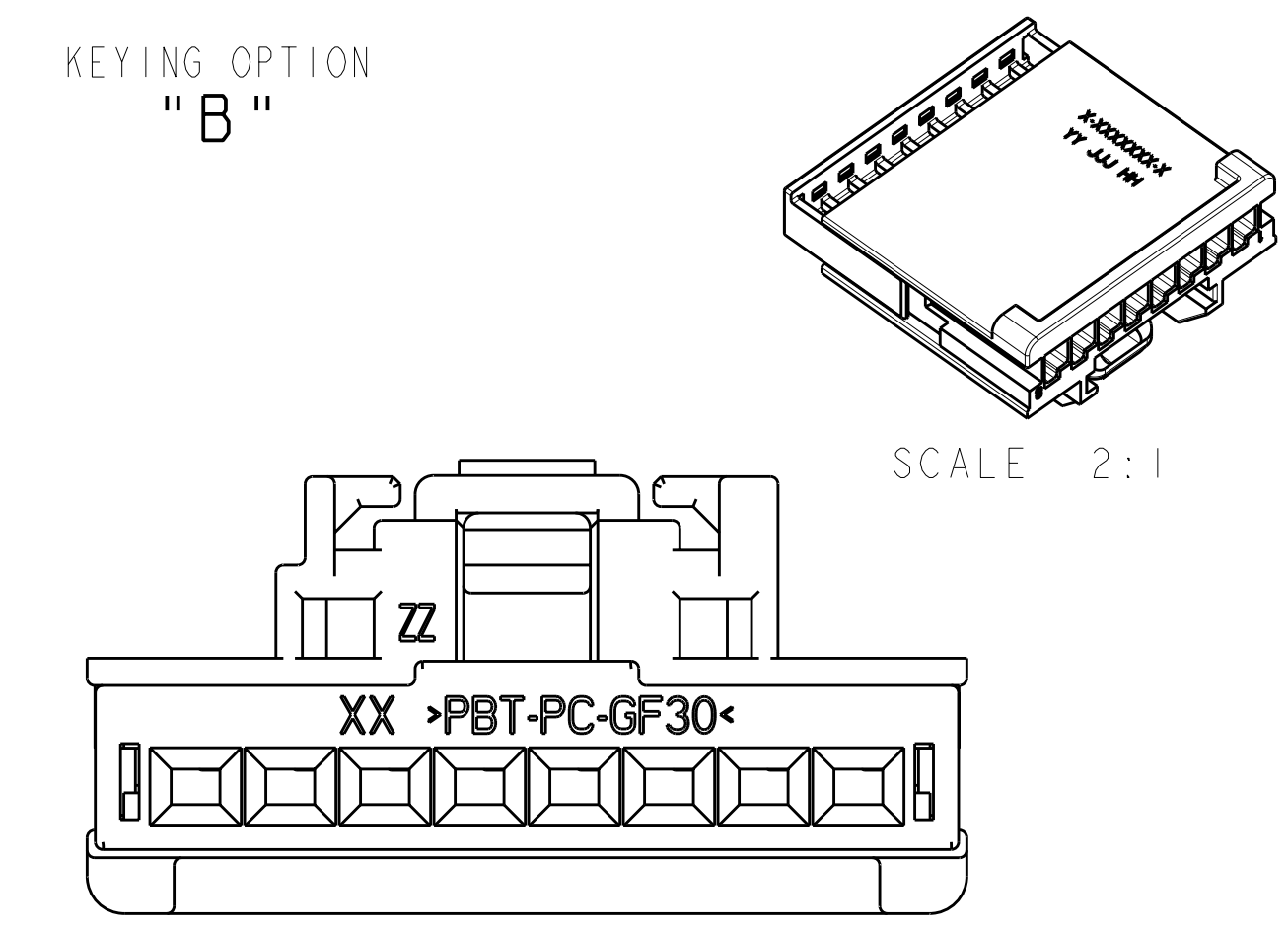
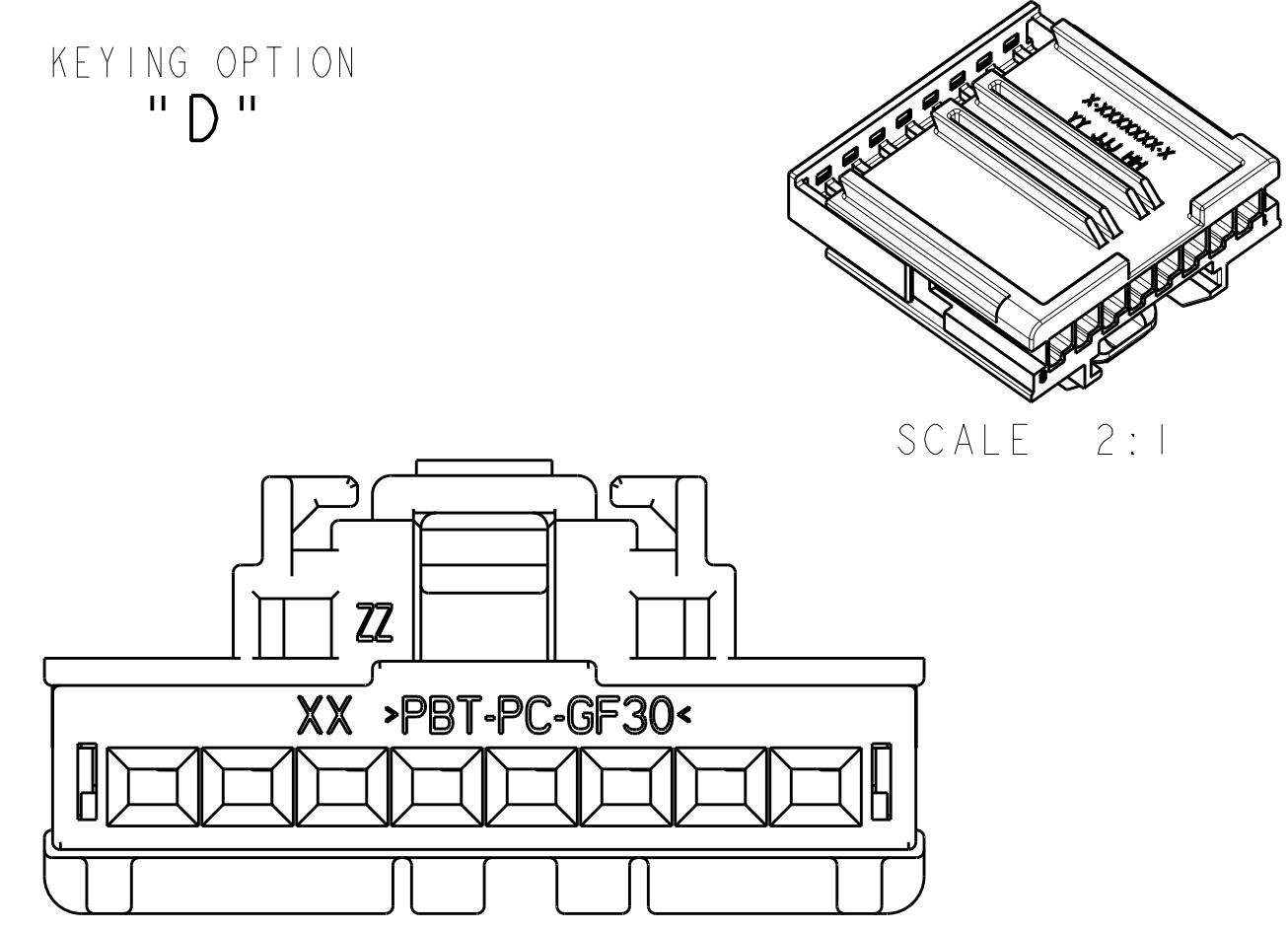
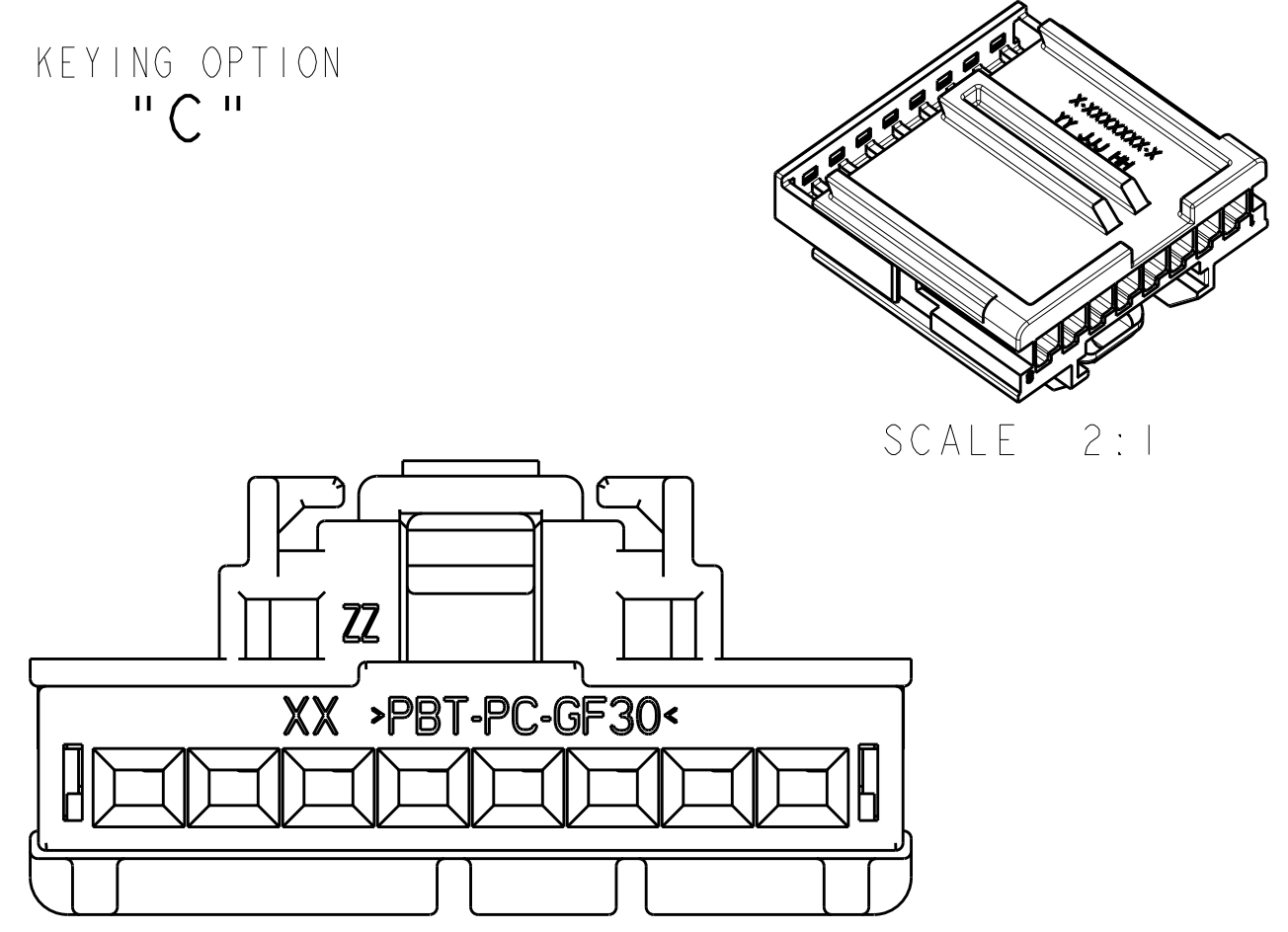
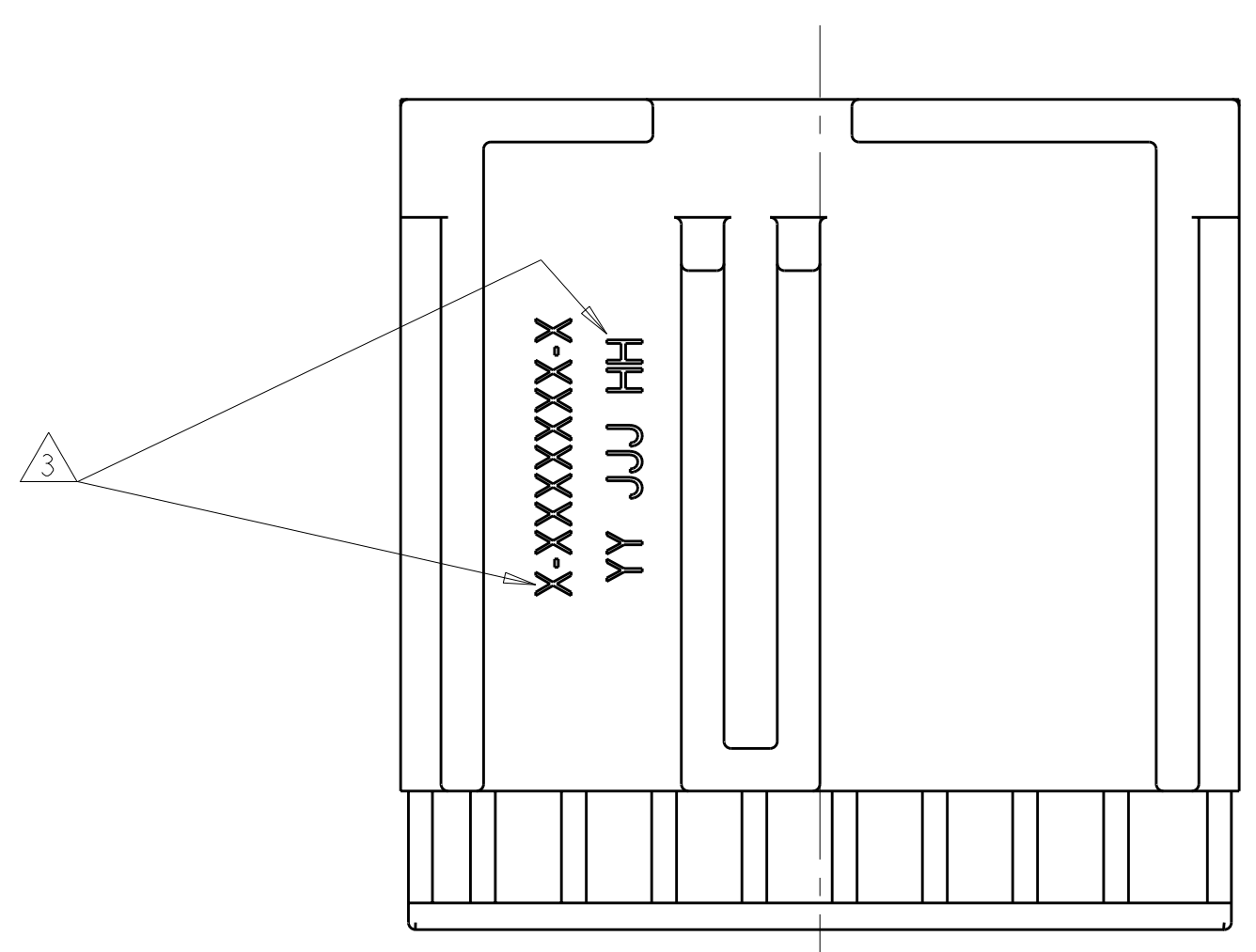
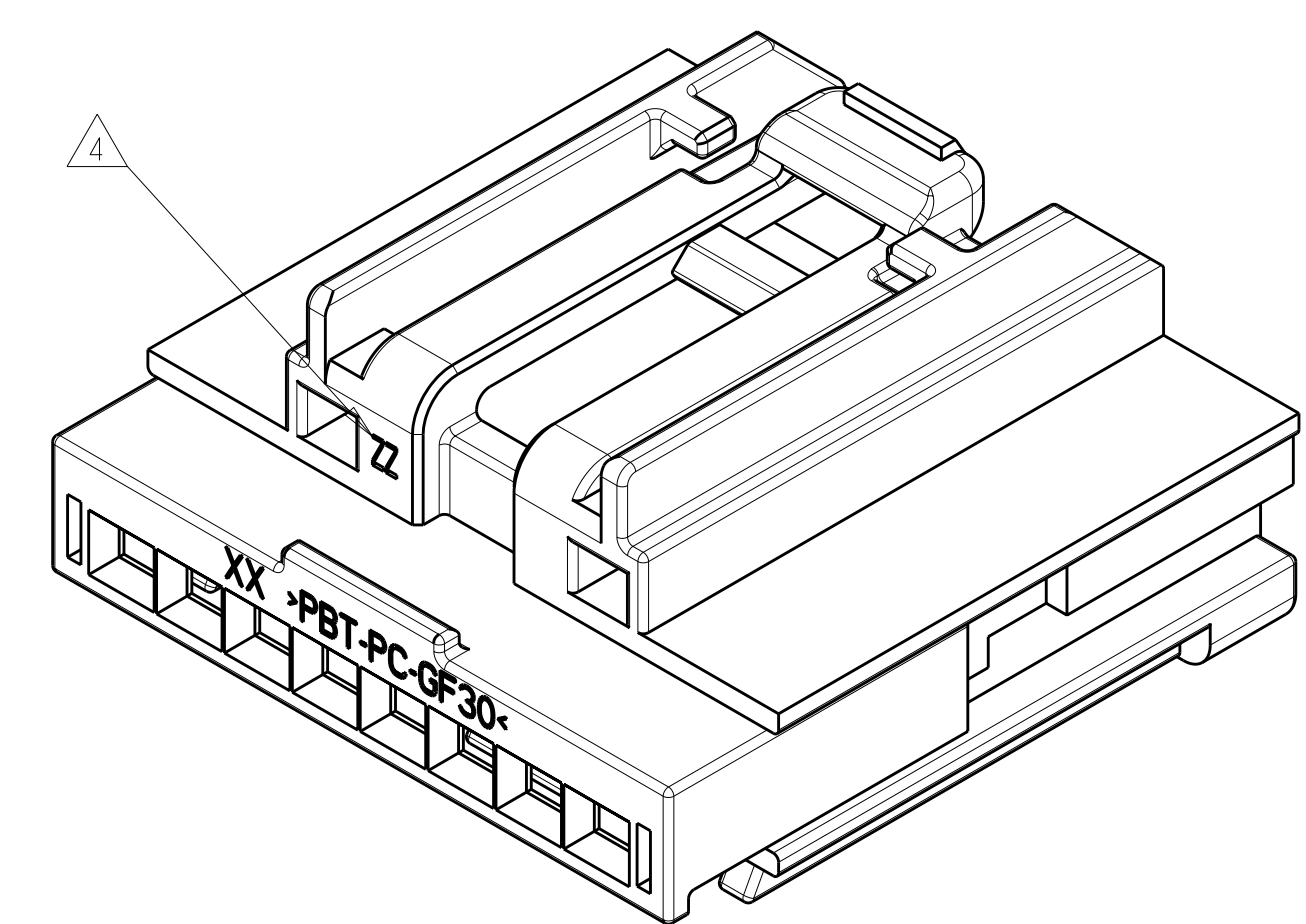
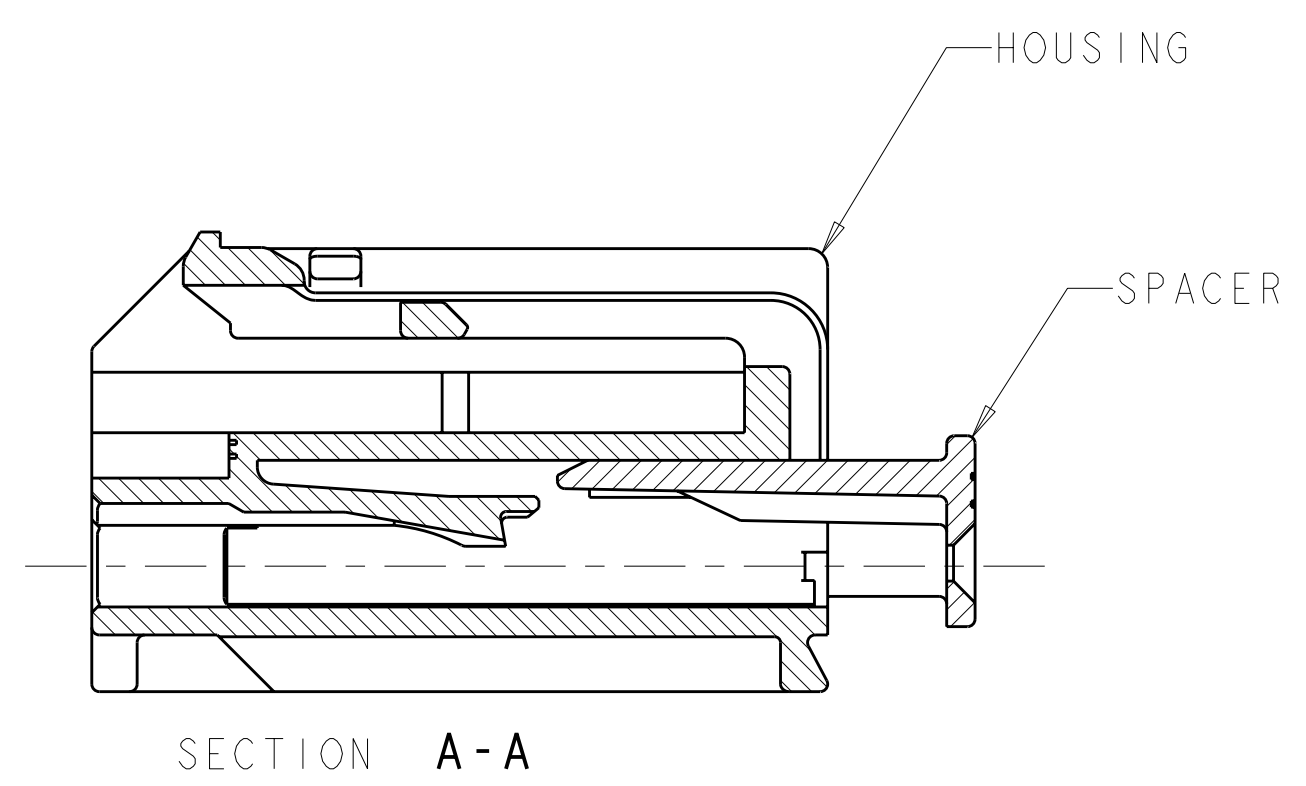
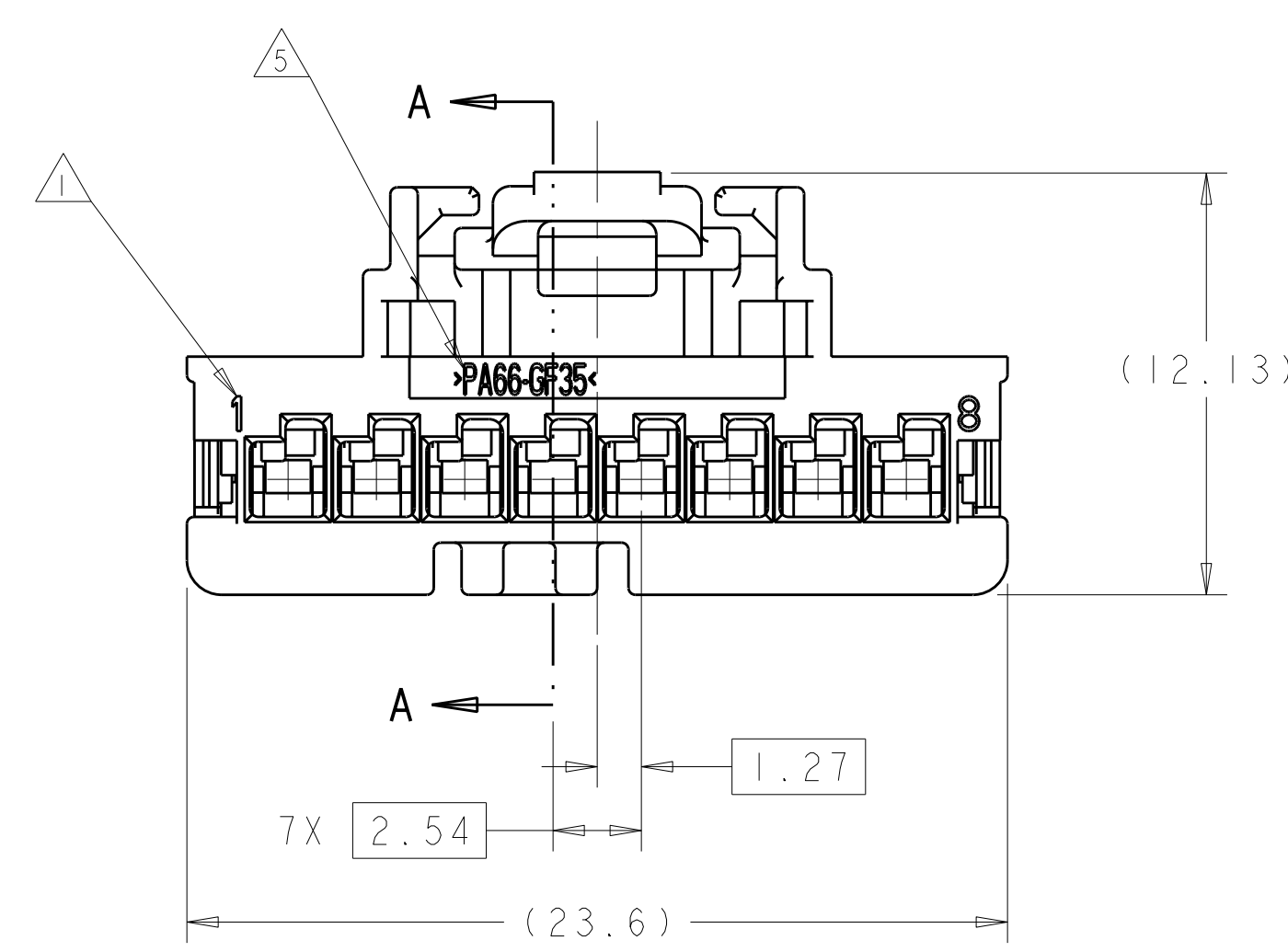
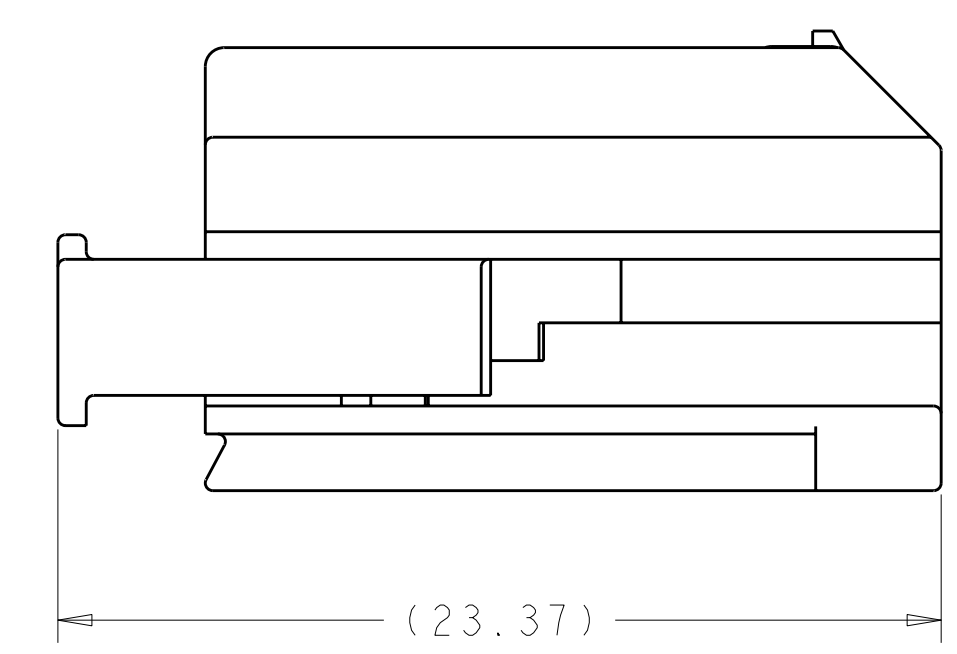
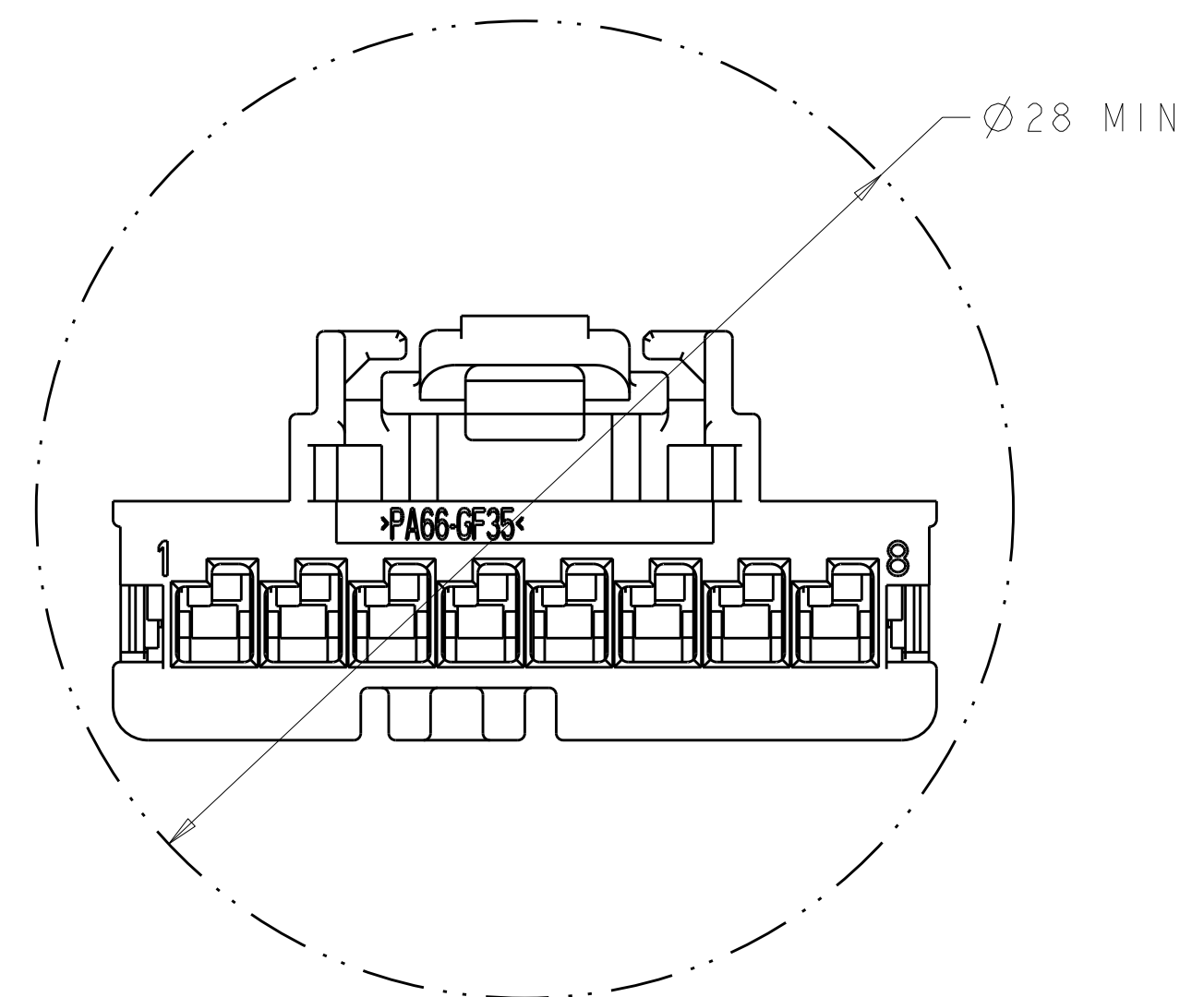


| LOC | DIST | REV | DATE | BY | APPV |
|-----|------|-----|------|----|------|
| FX | 00 | | | | |

| REVISIONS | | | | | |
|-----------|-----------|---------------------------|----|------|------|
| REV | DATE | DESCRIPTION | BY | APPV | DATE |
| A | 10AUG2007 | RELEASED PER D07-067 | RV | DS | |
| A1 | 08APR2011 | REVISED PER ECO-11-007403 | DD | RL | |
| A2 | 31MAY2011 | REVISED PER ECO-11-010896 | DD | RL | |
| A3 | 15SEP2011 | REVISED PER ECO-11-015077 | DD | RL | |



- △ TERMINAL CAVITY ID.
- 2. SPACER IS SHIPPED IN PRE-ASSEMBLY POSITION.
- △ 3 PART NUMBER AND DATE CODE.
- △ 4 MOLD CAVITY ID.
- △ 5 MATERIAL IDENTIFICATION.
- 6. PACKAGING: CONNECTOR ASSEMBLIES BULK PACKED IN CARDBOARD BOX.
- 7. DURING SHIPPING AND HANDLING THE TPA MAY BE DISPLACED TO IT'S LOCKED POSITION. THE CONNECTOR CAN BE RETURNED TO IT'S PROPER FUNCTION USING IS SHEET 408-10104.
- 8. APPLICABLE TERMINAL PART NUMBERS (SOLD SEPARATELY) GOLD APPLICATIONS 1393364 AND 1393365. TIN APPLICATIONS 1393366 AND 1393367 FOR TERMINATION AND REELING OPTIONS, SEE DRAWINGS: 1393364, 1393365, 1393366 AND 1393367.



| | | | | | |
|-----|----------|-------|----------|-------|-------------|
| "B" | PBT | RED | NYLON | BLACK | 1924639-3 |
| "D" | PBT | RED | NYLON | BLACK | 1924639-2 |
| "C" | PBT | RED | NYLON | BLACK | 1924639-1 |
| KEY | MATERIAL | COLOR | MATERIAL | COLOR | PART NUMBER |
| | SPACER | | HOUSING | | |

THIS DRAWING IS A CONTROLLED DOCUMENT.

4805 (3/11)

| | | | |
|-------------|--|------------------|--|
| DIMENSIONS: | TOLERANCES UNLESS OTHERWISE SPECIFIED: | APV D. STRAUSSER | NAME |
| mm | 0 PLC ± | 10AUG2007 | IX8 POSITION, GET FEMALE CONNECTOR ASSEMBLY, UNSEALED, LOW PROFILE LATCH |
| | 1 PLC ± | 10AUG2007 | SIZE CAGE CODE DRAWING NO RESTRICTED TO |
| | 2 PLC ± | 10AUG2007 | A100779C=1924639 |
| | 3 PLC ± | 10AUG2007 | SCALE 5:1 SHEET 1 OF 1 REV A3 |
| | 4 PLC ± | 10AUG2007 | |
| | ANGLES ± | 10AUG2007 | |
| MATERIAL | FINISH | WEIGHT | CUSTOMER DRAWING |

STE TE Connectivity