

## Product Change Notification

### PCN-IFC-7816-2022

Business Unit	Product Line Code	Type of Change	Action	Date of Issue
IFC - Industrial Field Connectivity	BF7	Product Change Notification	Notify Distributors and Field	7/6/2022

*The following Phoenix Contact products have been modified. Existing specifications will be met or exceeded. Please review and acknowledge this document and inform your personnel as needed.*

#### Description for Product Change Notification

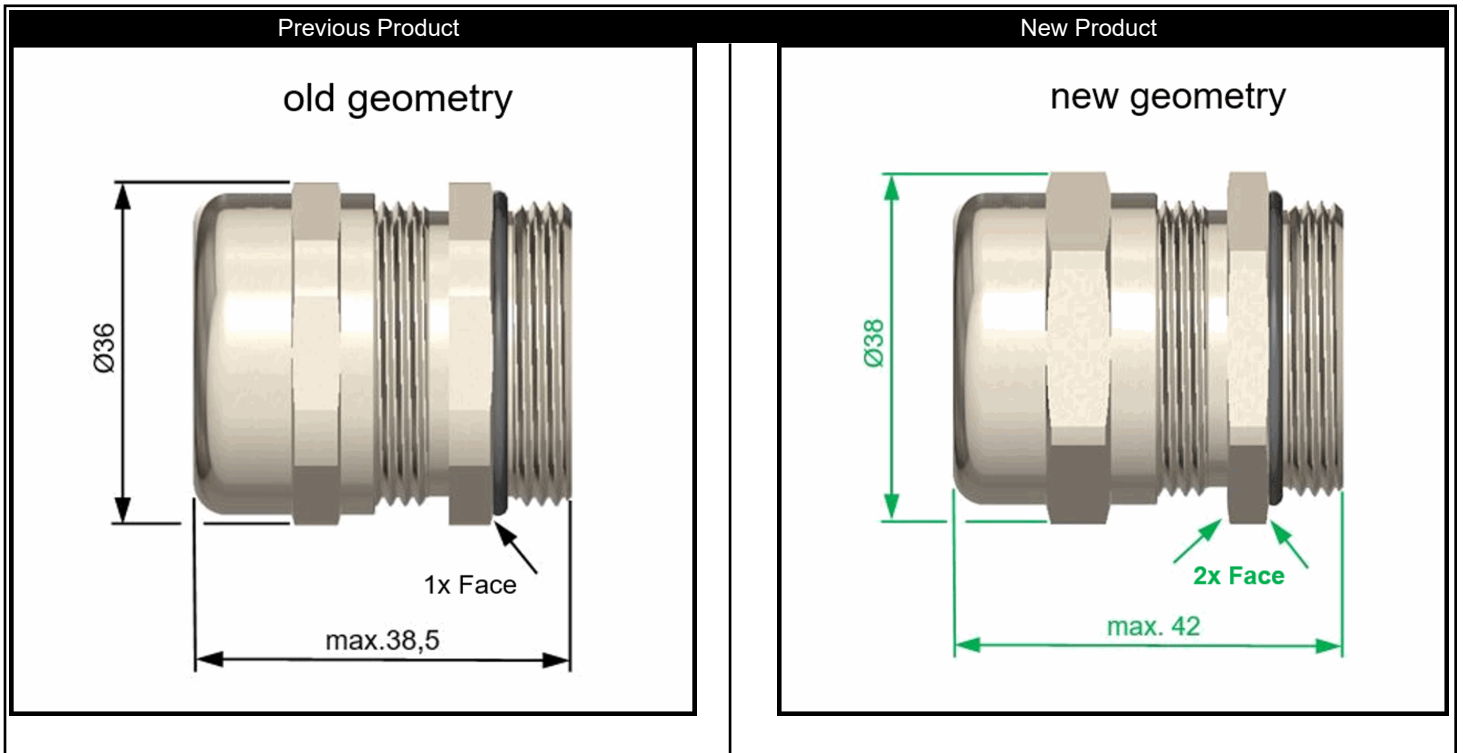
As part of our ongoing improvement process, we have enlarged the faces for landing a wrench on the mounting flange and union/clamping nut on our nickel-plated brass M32 cable glands. The larger face has resulted in a slightly longer profile, increasing the overall max length from 38.5mm to 42mm. This change will improve the ease of installation of the cable gland on panels and rectangular connectors.

#### Stock Status

Can existing stock still be used?	Yes
Is mixture of stock acceptable?	Yes

#### Transaction Dates

Date modification goes into effect from Germany:	5/2/2022
Expected first shipment (from Phoenix Contact) of the modified products(s):	5/2/2022





Phoenix Contact Inc.  
P.O. BOX 4100  
Harrisburg, PA 17111-0100  
Phone: 717-944-1300

## Product Change Notification

*Should you have any issues with the timeline or content of this product change, please contact Phoenix Contact using the information below. Customers should acknowledge receipt of the PCN within 30 days of delivery of the PCN; provided, however, that the failure to acknowledge receipt does not affect the product change or the effective date thereof.*

**Contact Info:**

Dean W Smith  
dwsmith@phoenixcontact.com

Thank you,

A handwritten signature in black ink, appearing to read 'Nathan Owens', positioned above a horizontal line.

Nathan Owens

Director of Connectivity



Phoenix Contact Inc.  
P.O. BOX 4100  
Harrisburg, PA 17111-0100  
Phone: 717-944-1300

## Product Change Notification

Part #	Type Description
1411191	G-INSEC-M32-M68N-NCRS-S
1646010	HC-M-KV-M32(19-27)