

THIS DRAWING IS UNPUBLISHED.

RELEASED FOR PUBLICATION

© COPYRIGHT - By -

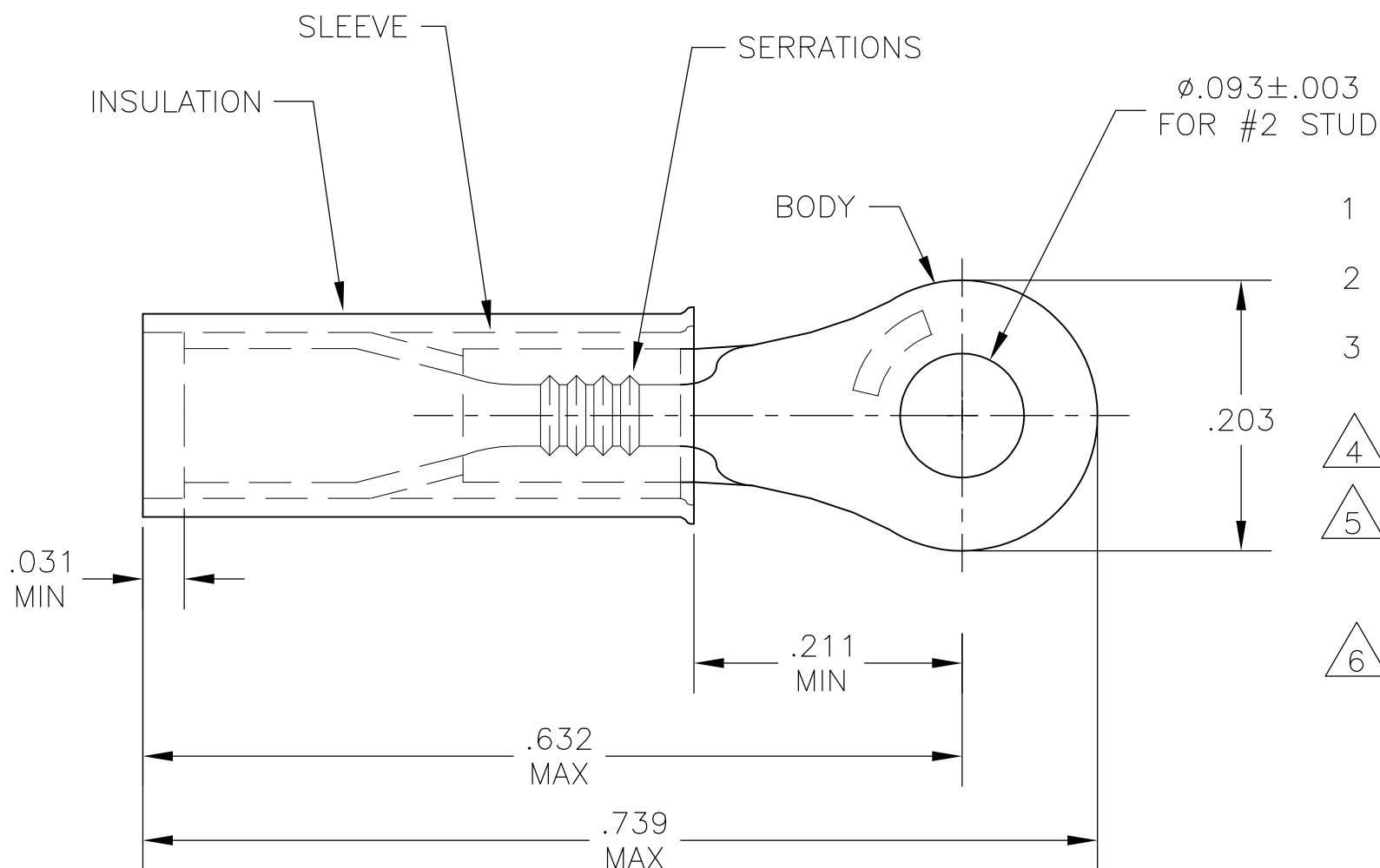
ALL RIGHTS RESERVED.

LOC
G

DIST
14

REVISIONS

P	LTR	DESCRIPTION	DATE	DWN	APVD
	C2	REVISED PER ECO-12-005507	21MAR12	KH	DR



- 1 TONGUE MATERIAL THK IS $.027 \pm .001$
- 2 FOR .050 TO .105 WIRE INS. DIA.
- 3 MUST BE CRIMPED WITH 22-18 OR 22-16 PIDG (RED) TOOL.
- 4 MEETS MS25036-143, CLASS 1 & 2
- 5 MATERIAL:
BODY AND SLEEVE: COPPER PER ASTM B152
INSULATION: NYLON
- 6 FINISH:
BODY AND SLEEVE: TIN PLATE PER ASTM B545
INSULATION: COLOR, YELLOW.

TAPE & REEL	5000	54310-2
LOOSE PIECE	1000	54310-1 4
PACKAGE TYP	QTY	PART NO

THIS DRAWING IS A CONTROLLED DOCUMENT.		DWN JR RUTH 27JAN04	STE TE Connectivity														
DIMENSIONS: INCHES		CHK T MICHELUTTI 27JAN04															
TOLERANCES UNLESS OTHERWISE SPECIFIED:		APVD T MICHELUTTI 27JAN04	NAME														
<table border="0"> <tr><td>0 PLC</td><td>± -</td></tr> <tr><td>1 PLC</td><td>± -</td></tr> <tr><td>2 PLC</td><td>± -</td></tr> <tr><td>3 PLC</td><td>± .008</td></tr> <tr><td>4 PLC</td><td>± -</td></tr> <tr><td>ANGLES</td><td>± 1°</td></tr> </table>		0 PLC	± -	1 PLC	± -	2 PLC	± -	3 PLC	± .008	4 PLC	± -	ANGLES	± 1°	PRODUCT SPEC	TERMINAL, NYLON PIDG, RING TONGUE; WIRE SIZE 26-24		
0 PLC	± -																
1 PLC	± -																
2 PLC	± -																
3 PLC	± .008																
4 PLC	± -																
ANGLES	± 1°																
MATERIAL		APPLICATION SPEC	SIZE	CAGE CODE	DRAWING NO												
5		WEIGHT	A3	00779	C-54310												
FINISH		CUSTOMER DRAWING		RESTRICTED TO	SCALE												
6					8:1												
				SHEET	1 OF 1												
				REV	C2												