



 **Pulse**LARSEN
Antennas
Brackets Lite



YOUR INTRODUCTION TO PULSELARSEN ANTENNAS BRACKETS LITE.
Want to learn more? Visit our website at pulselarsenantennas.com.



PulseLarsen Antennas
SourceBook • Version 14

Manufacturing Capabilities - Available Traditional Technologies

- Flexible Printed Circuit
- PAD printing, Painting
- In-House Ceramic Process
- Any Cable Assemblies
- Any Connector Mounts
- PIM Testing
- SMD Process
- Automatic Cable Stripping
- Epoxy resins and Glue deposition
- Plastic Dipping
- RF Testing
- Any Connector Mounts
- Auto Packaging and Labeling

Art - 3D Technologies

Structuring (LDS): 3D techniques using LPKF laser processing and Plating.

IEB Technology: In-House 3d patented technology based on 3d deposition of conductive ink's surface followed by low temperature curing process. Ideal process to build small and mass production parts.

Capabilities Worldwide (AMERICAS, EMEA, ASIA)

Plastic parts, FR4 or Stamping parts using LPKF machines, CNC, Plastisol Dipping, Milling machines...

Services

Capabilities for Product Qualification and Design Validation

Using VNA up to 14GHz

MECHANICAL

- Ability to use Solidworks, Catia V5, Pro E, ProgeCAD
- 3d fitting and rendering
- Mechanical Shock
- Solderability
- Tensile Strength
- Pull Force
- Torque testing
- Surface Profilometer

ENVIRONMENTAL

- ESD environment for Production &/or Design
- Humidity (to 90% RH)
- Moisture Resistance
- Thermal Shock
- Thermal Cycling with/without salt mist
- Aging
- Vibrations

NOTE: Full EMC Standards Compliance Testing in Germany for any vehicle size (Truck, Car, Tractor, Escalator, Agricultural machines and IoT).

.....

CHANGES / CONDITIONS: Continual research and development make it necessary for Pulse to reserve the right to make exceptions to or changes in policies, specifications and prices without notice.

.....

1-800-ANTENNA (268-3662)

When you need an antenna, what better way than to remember 1-800-ANTENNA (268-3662). Our knowledgeable Customer Support staff is available to assist you.

For our international customers:
PHONE +1-360-944-7551
EMAIL
Americas: antennas.us@pulseelectronics.com
Europe: antennas.eu@pulseelectronics.com
Asia: antennas.as@pulseelectronics.com

PULSE No-Nonsense™ Warranty

Every effort is made to assure the integrity and long life of each Pulse product. In the unfortunate event a problem does occur, you will find us ready to make it right!

Duration of warranty is one year from date of purchase.

Pulse will repair or replace without charge any Larsen antenna product which fails for any reason during the warranty period. Pulse is not responsible for any incidental or consequential damages due to failure of the antenna under this warranty or any implied warranty. This exclusion may not apply to all areas of the USA or Canada.

4 | Antennas.eu@pulseelectronics.com • Antennas.as@pulseelectronics.com • Antennas.us@pulseelectronics.com

www.pulselarsenantennas.com • 1 800 ANTENNA (268-3662) | 5



MODEL	HOLE SIZE
TMB34D	3/4" HOLE

SPECIFICATIONS	
SIZE	2" X 3 3/4"
TYPE	Fender bracket only Fits Dodge Ram Trucks Year 2002 and Olderv



MODEL	HOLE SIZE
TMBOM	

SPECIFICATIONS	
TYPE	Chrom trunk gutter bracket for OM antennas. Screws included.



MODEL	HOLE SIZE
TMB34B	3/4" HOLE
TMB38B	3/8" HOLE
TMB58B	5/8" HOLE

SPECIFICATIONS	
SIZE	2" X 2"
TYPE	Black trunk gutter bracket. Screws included.



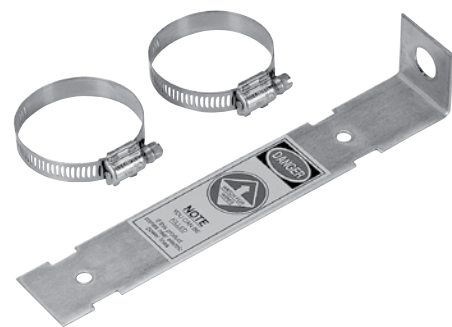
MODEL	HOLE SIZE
TMB34	3/4" HOLE
TMB38	3/8" HOLE
TMB58	5/8" HOLE

SPECIFICATIONS	
SIZE	2" X 2"
TYPE	Chrome trunk gutter bracket. Screws included.

VIEW AND DOWNLOAD OUR CATALOG
Visit our website at: pulselarsenantennas.com



FB2BRACKET



FB3BRACKET



OCB



W9922 - IDAS SPLITTER



YAGIKITHD - YAGI BRACKET



ROKIT FOR RO SERIES



BRK0002

BRK0003



PULSE No-Nonsense™ Warranty

Every effort is made to assure the integrity and long life of each Pulse product. In the unfortunate event a problem does occur, you will find us ready to make it right! Duration of warranty is one year from date of purchase.

Pulse will repair or replace without charge any Larsen antenna product which fails for any reason during the warranty period. Pulse is not responsible for any incidental or consequential damages due to failure of the antenna under this warranty or any implied warranty. This exclusion may not apply to all areas of the USA or Canada.



BRK0001 (FORMER KITA)



BRK0001 (FORMER KITA)

MAGNETIC MOUNT

P/N: LPMB4BRACKETMM



ADHESIVE MOUNT

P/N: LPMB4BRACKETAM



GPSMBMM



Ordering

At PulseLarsen we understand managing your business in today's rapidly changing wireless communications market can be complicated. We want to make the process of doing business with us as easy as possible.

Whether it's your first order or you've been doing business with us for a while, each and every customer is equally important to us. From our experienced customer service associates to the latest in communications technologies, Pulse/Larsen strives to exceed your expectations with every transaction.

To order products, contact one of our authorized distributors. For a list of distributors, visit our web site at www.pulselarsenantennas.com.

Distribution

PulseLarsen has partnered with the industry's leading wireless product distributors and sales representatives throughout the World. Our antennas are as close as a phone call away. Please find a list of our distributor and their live inventory on our website at: www.pulselarsenantennas.com and experience our "BUY NOW" button features.

Please find a list of our sales representatives and their dedicated territories at the following address:

1-800-ANTENNA (268-3662)

When you need an antenna, what better way than to remember 1-800-ANTENNA (268-3662). Our knowledgeable Customer Support staff is available to assist you.

For our international customers:

PHONE +1-360-944-7551

EMAIL

Americas: antennas.us@pulseelectronics.com

Europe: antennas.eu@pulseelectronics.com

Asia: antennas.as@pulseelectronics.com

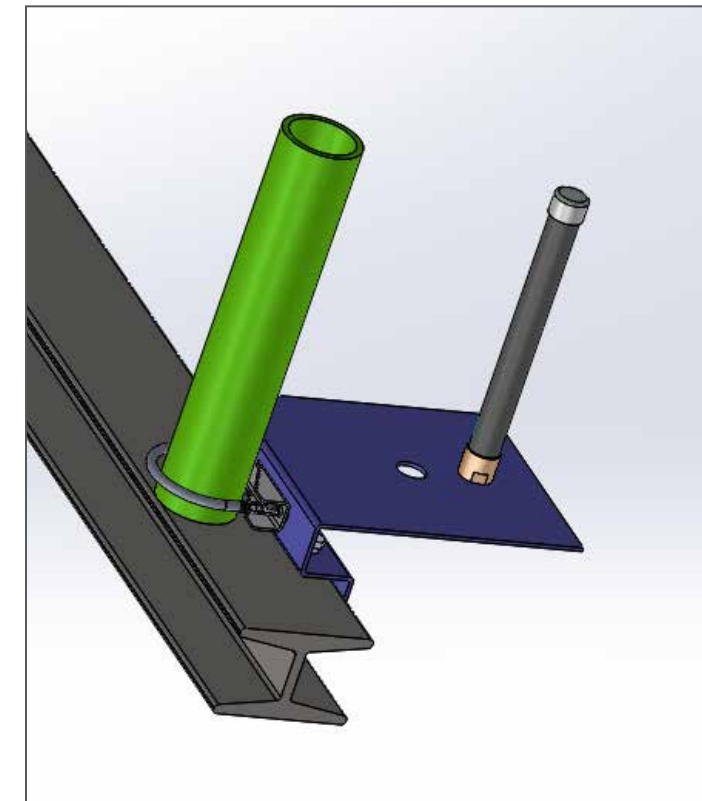


072-00588.001

072-00581.001

GMBRACKET001

BRK0003





CONTACT US TODAY!



Call us at **+1.800.ANTENNA**



Visit our website at: **pulselarsenantennas.com**



Connect with us on twitter: **PulseLarsen1**



Worldwide Headquarters
San Diego, CA, USA
15255 Innovation Drive #100
San Diego, CA 92128
+1-858-674-8100

Vancouver, WA, USA
18110 SE 34th Street
Suite 250, Building 2
Vancouver, WA 98683
Tel: **+1-360-944-7551**
antennas.us@pulseelectronics.com

Europe - Finland
Automaatitietie 1, FI-90440 Oulunsalo.
Tel: **+358-20-7935-500**
antennas.eu@pulseelectronics.com

Europe - Germany
Campus Berliner Allee
Berliner Allee 65 D-64295
Darmstadt Germany
Tel: **+49.173.659.85.21**
antennas.eu@pulseelectronics.com

ISO Manufacturing Site
No 99. Huo Ju road, Suzhou new District,
Jiangsu Province, Suzhou, China, PRC.
Tel: **+86-512-69206053**
antennas.as@pulseelectronics.com

